



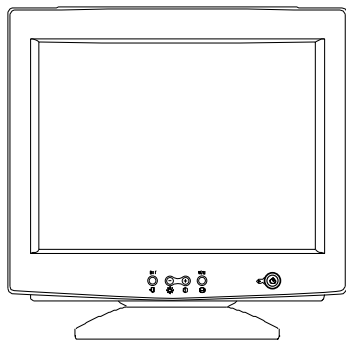
COLOR MONITOR

PN15VT / VO

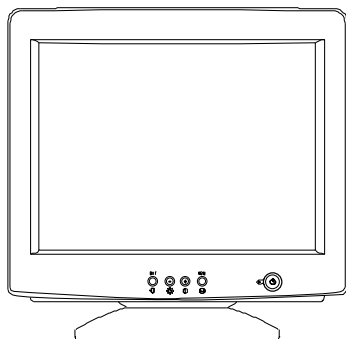
PN15HT / HO

SERVICE Manual

COLOR MONITOR



PN15VT/HT



PN15VO/HO

CONTENTS

1. Precautions
2. Product Specifications
3. Disassembly & Reassembly
4. Alignment & Adjustments
5. Troubleshooting
6. Exploded View & Parts List
7. Electrical Parts List
8. Block Diagram
9. Wiring Diagram
10. Schematic Diagrams

1 Precautions

1-1 Safety Precautions

WARNINGS

1. For continued safety, do not attempt to modify the circuit board.
2. Disconnect the AC power before servicing.
3. When the chassis is operating, semiconductor heatsinks are potential shock hazards.

1-1-1 Servicing the High Voltage and CRT :

WARNING: A high voltage adjusted to the wrong value may cause excessive X-ray emissions.

1. When servicing the high voltage system, remove the static charge by connecting a 10 kohm resistor in series with an insulated wire (such as a test probe) between the chassis and the anode lead.
2. When troubleshooting a monitor with excessively HV, avoid being unnecessarily close to the monitor. Do not operate the monitor for longer than is necessary to locate the cause of excessive voltage.
3. High voltage should always be kept at the rated value, no higher. Only when high voltage is excessive are X-rays capable of penetrating the shell of the CRT, including the lead in glass material. Operation at high voltages may also cause failure of the CRT or high voltage circuitry.
4. When the HV regulator is operating properly, there is no possibility of an X-ray problem. Make sure the HV does not exceed its specified value and that it is regulating correctly.
5. The CRT is especially designed to prohibit X-ray emissions. To ensure continued X-ray protection, replace the CRT only with one that is the same or equivalent type as the original.
6. Handle the CRT only when wearing shatterproof goggles and after completely discharging the high voltage anode.
7. Do not lift the CRT by the neck.

1-1-2 Fire and Shock Hazard :

Before returning the monitor to the user, perform the following safety checks:

1. Inspect each lead dress to make certain that the leads are not pinched or that hardware is not lodged between the chassis and other metal parts in the monitor.
2. Inspect all protective devices such as nonmetallic control knobs, insulating materials, cabinet backs, adjustment and compartment covers or shields, isolation resistor-capacitor networks, mechanical insulators, etc.

3. Leakage Current Hot Check (Figure 1-1):
WARNING: Do not use an isolation transformer during this test.

Use a leakage current tester or a metering system that complies with American National Standards Institute (*ANSI C101.1, Leakage Current for Appliances*), and Underwriters Laboratories (*UL Publication UL1410, 59.7*).

4. With the unit completely reassembled, plug the AC line cord directly into a 120V AC outlet. With the unit's AC switch first in the ON position and then OFF, measure the current between a known earth ground (metal water pipe, conduit, etc.) and all exposed metal parts, including: metal cabinets, screwheads and control shafts. The current measured should not exceed 0.5 milliamp. Reverse the power-plug prongs in the AC outlet and repeat the test.

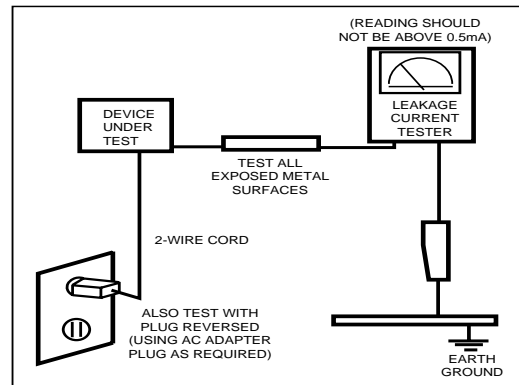




Figure 1-1. Leakage Current Test Circuit

1-1-3 Product Safety Notices

Some electrical and mechanical parts have special safety-related characteristics which are often not evident from visual inspection. The protection they give may not be obtained by replacing them with components rated for higher voltage, wattage, etc. Parts that have special safety characteristics are identified by  on schematics and parts lists. A substitute replacement that does not have the same safety characteristics as the recommended replacement part might create shock, fire and / or other hazards. Product safety is under review continuously and new instructions are issued whenever appropriate.

Components identified by  on schematics and parts lists must be sealed by a soldering iron after replacement and adjustment.

1-2 Servicing Precautions

WARNING1: First read the “Safety Precautions” section of this manual. If unforeseen circumstances create conflict between the servicing precautions and safety precautions, always follow the safety precautions.


WARNING2: A high voltage adjusted to the wrong value may cause excessive X-ray emissions.

WARNING3: An electrolytic capacitor installed with the wrong polarity might explode.

1. Servicing precautions are printed on the cabinet, and should be followed closely.
2. Always unplug the unit’s AC power cord from the AC power source before attempting to: (a) remove or reinstall any component or assembly, (b) disconnect PCB plugs or connectors, (c) connect all test components in parallel with an electrolytic capacitor.
3. Some components are raised above the printed circuit board for safety. An insulation tube or tape is sometimes used. The internal wiring is sometimes clamped to prevent contact with thermally hot components. Reinstall all such elements to their original position.
4. After servicing, always check that the screws, components and wiring have been correctly reinstalled. Make sure that the area around the serviced part has not been damaged.
5. Check the insulation between the blades of the AC plug and accessible conductive parts (examples: metal panels, input terminals and earphone jacks).
6. Insulation Checking Procedure: Disconnect the power cord from the AC source and turn the power switch ON. Connect an insulation resistance meter (500 V) to the blades of the AC plug.
The insulation resistance between each blade of the AC plug and accessible conductive parts (see above) should be greater than 1 megohm.
7. Never defeat any of the +B voltage interlocks. Do not apply AC power to the unit (or any of its assemblies) unless all solid-state heat sinks are correctly installed.
8. Always connect a test instrument’s ground lead to the instrument chassis ground *before* connecting the positive lead; always remove the instrument’s ground lead last.

1-3 Electrostatically Sensitive Devices (ESD) Precautions

Some semiconductor (solid state) devices can be easily damaged by static electricity. Such components are commonly called Electrostatically Sensitive Devices (ESD). Examples of typical ESD devices are integrated circuits and some field-effect transistors. The following techniques will reduce the incidence of component damage caused by static electricity.

1. Immediately before handling any semiconductor components or assemblies, drain the electrostatic charge from your body by touching a known earth ground. Alternatively, wear a discharging wrist-strap device. To avoid a shock hazard, be sure to remove the wrist strap before applying power to the monitor.
2. After removing an ESD-equipped assembly, place it on a conductive surface such as aluminum foil to prevent accumulation of an electrostatic charge.
3. Do not use freon-propelled chemicals. These can generate electrical charges sufficient to damage ESDs.
4. Use only a grounded-tip soldering iron to solder or desolder ESDs.
5. Use only an anti-static solder removal device. Some solder removal devices not classified as “anti-static” can generate electrical charges sufficient to damage ESDs.
6. Do not remove a replacement ESD from its protective package until you are ready to install it. Most replacement ESDs are packaged with leads that are electrically shorted together by conductive foam, aluminum foil or other conductive materials.
7. Immediately before removing the protective material from the leads of a replacement ESD, touch the protective material to the chassis or circuit assembly into which the device will be installed.
Caution: Be sure no power is applied to the chassis or circuit and observe all other safety precautions.
8. Minimize body motions when handling unpackaged replacement ESDs. Motions such as brushing clothes together, or lifting your foot from a carpeted floor can generate enough static electricity to damage an ESD.
9.  Indicates ESDs on the Schematic Diagram in this manual.

2 Product Specifications

2-1 Specifications

Item		Description	
		PN15VT/VO	PV15HT/HO
Picture Tube:		15-Inch (38 cm): 13.8-inch (35 cm) viewable, Full-square flat-face tube, 90° Deflection, Semi-tint, Non-glare, Invar shadow mask, Anti-static silica coating, 0.28 mm Dot pitch	
Scanning Frequency	Horizontal Vertical	30 kHz ~ 55 kHz (Automatic) 50 Hz ~ 120 Hz (Automatic)	30 kHz ~ 70 kHz (Automatic) 50 kHz ~ 160 kHz (Automatic)
Display Colors		Unlimited colors	
Maximum Resolution	Horizontal Vertical	1024 Dots 768 Lines	1280 Dots 1024 Lines
Input Video Signal		Analog, 0.7 Vp-p positive at 75 Ω , internally terminated	
Input Sync Signal		Separate Sync : TTL level positive/negative	
Maximum Pixel Clock rate		65 MHz	110 MHz
Active Display		Horizontal : 267 mm \pm 4 mm, Vertical : 200 mm \pm 4 mm	
Input Voltage		AC 90 ~ 264 Volts, 60 Hz / 50 Hz \pm 3 Hz	
Power Consumption		80 Watt (max.)	75 Watt (max.)
Dimensions (W x D x H) With Base		14.01 x 14.92 x 14.54 Inches (356 x 379 x 369.5 mm)	
Weight (Net/Gross)		11.5 kg (25.35 lbs) / Standard : 13.3 kg (29.32 lbs), Special : 13.4 kg (29.54 lbs)	
Environmental Considerations		Operating Temperature : 32°F ~ 104°F (0°C ~ 40°C) Humidity : 10 % ~ 80 % Storage Temperature : -4°F ~ 113°F (-20°C ~ 45°C) Humidity : 5 % ~ 95 %	
<ul style="list-style-type: none"> • Above models comply with SWEDAC (MPR II) recommendations for reduced electromagnetic fields. • Designs and specifications are subject to change without prior notice. 			

2-2 Pin Assignments

Pin No. \ Sync Type	Separate	Macintosh
1	Red	GND-R
2	Green	Red
3	Blue	H/V Sync.
4	N-C	Sense 0
5	GND (DDC Return)	Green
6	GND-R	GND-G
7	GND-G	Sense 1
8	GND-B	Reserved
9	N-C	Blue
10	GND-Sync./Self-Test	Sense 2
11	N-C	GND
12	DDC Data	V-Sync.
13	H-Sync.	GND-B
14	V-Sync.	GND
15	DDC Clock	H-Sync.

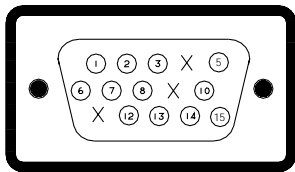


Figure 2-1. Male Type

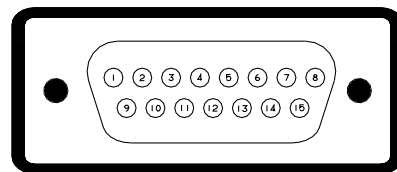


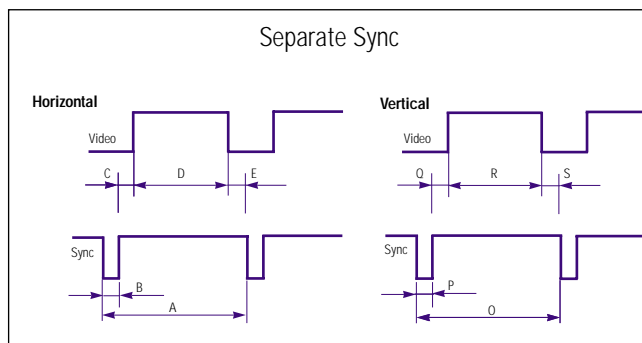
Figure 2-2. Male Type

2-3 Timing Chart

This section of the service manual describes the timing that the computer industry recognizes as standard for computer-generated video signals.

Table 2-1. Timing Chart

Mode Timing	IBM		VESA						
	VGA3/60 Hz 640 x 480	VGA2/70 Hz 720 x 400	640/75 Hz 640 x 480	640/85 Hz 640 x 480	800/75 Hz 800 x 600	800/85 Hz 800 x 600	1024/60 Hz 1024 x 768 (PN15VT/VO)	1024/75 Hz 1024 x 768 (PN15HT/HO)	1024/85 Hz 1024 x 768 (PN15HT/HO)
fH (kHz)	31.469	31.469	37.500	43.269	46.875	53.674	48.363	60.023	68.677
A μ sec	31.778	31.778	26.667	23.111	21.333	18.631	20.677	16.660	14.561
B μ sec	3.813	3.813	2.032	1.556	1.616	1.138	2.092	1.219	1.016
C μ sec	1.907	1.907	3.810	2.222	3.232	2.702	2.462	2.235	2.201
D μ sec	25.422	25.422	20.317	17.778	16.162	14.222	15.754	13.003	10.836
E μ sec	0.636	0.636	0.508	1.556	0.323	0.569	0.369	0.203	0.508
fV (Hz)	59.940	70.087	75.000	85.008	75.000	85.061	60.004	75.029	84.997
O msec	16.683	14.268	13.333	11.764	13.333	11.756	16.666	13.328	11.765
P msec	0.064	0.064	0.080	0.671	0.064	0.056	0.124	0.050	0.044
Q msec	1.048	1.080	0.427	0.578	0.448	0.503	0.600	0.466	0.524
R msec	15.253	12.711	12.800	11.093	12.800	11.179	15.880	12.795	11.183
S msec	0.318	0.413	0.027	0.023	0.021	0.019	0.062	0.017	0.015
Clock Frequency (MHz)	25.175	28.322	31.500	36.000	49.500	56.250	65.000	78.750	94.500
Polarity H.Sync	Negative	Negative	Negative	Negative	Positive	Positive	Negative	Positive	Positive
V.Sync	Negative	Positive	Negative	Negative	Positive	Positive	Negative	Positive	Positive
Remark	Separate	Separate	Separate	Separate	Separate	Separate	Separate	Separate	Separate



A : Line time total	B : Horizontal sync width	O : Frame time total	P : Vertical sync width
C : Back porch	D : Active time	Q : Back porch	R : Active time
E : Front porch		S : Front porch	

Memo

3 Disassembly and Reassembly

This section of the service manual describes the disassembly and reassembly procedures for the PN15VT/VO/HT/HO monitors.

WARNING: This monitor contains electrostatically sensitive devices. Use with caution when handling these components.

3-1 Disassembly

Cautions: 1. Disconnect the monitor from the power source before disassembly.
2. To remove the Rear Cover, you must use the special opening jig tool.

3-1-1 Before making Disassembly

1. Disconnect the power cord from the monitor.
2. With a pad beneath it, stand the monitor on its front with the screen facing downward and the base close to you.

3-1-2 Cabinet Disassembly

1. Remove the Stand from the monitor.
(Refer to Stand manual)
2. Incline the monitor by lifting the rear of the monitor.

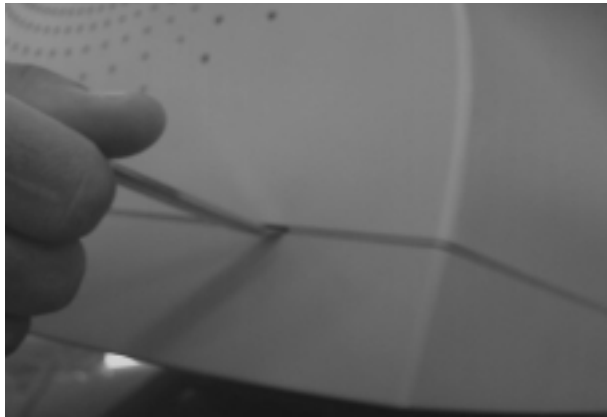


Figure 1

3. Push the Opening jig each groove along the top of the monitor till it makes a “tak” sound. (2 grooves : Left and Right, Make sure each snap is disengaged.)

4. Remove 2 screws on the Rear cover.



Figure 2

5. Pull the Rear Cover up off the monitor.

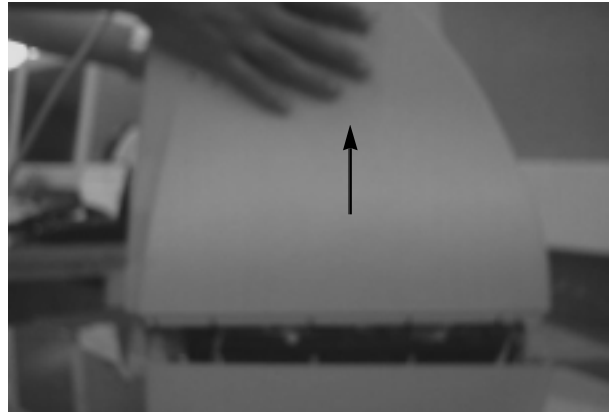


Figure 3

6. Using pinch-nose pliers or ling-nose pliers, carefully disconnect the Anode Cap from the CRT.

Warning: Do not touch the Anode contact on the CRT (High Voltage may remain).

3-1-3 Removing the CRT Socket PCB

1. Complete all previous steps.
2. Lift up the Video Spring and remove the CRT Socket PCB from the CRT.

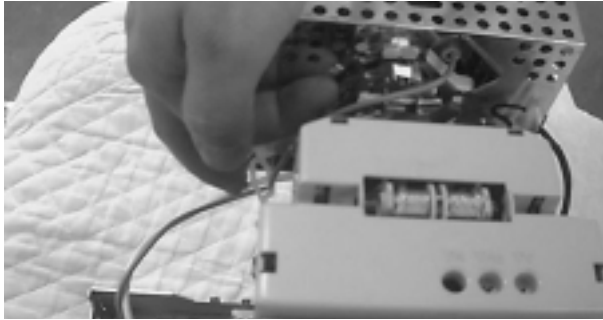


Figure 4

3. Disconnect all connectors on the CRT Socket PCB.
4. Using a solder iron, disconnect Ground (GND) on the back of the Video Shield and remove the Shield Cap.
5. Remove the screw on the front of the Shield Socket.
6. Desolder the 4 tabs on the CRT Socket PCB and remove Shield.
7. Place the Video PCB on a flat, level surface that is protected from static electricity.

3-1-4 Removing the Main PCB

1. Complete all previous steps.
2. Disconnect the Degaussing Coil at CN603 on the Main PCB.
3. Disconnect all easily accessible ground wires on the Main PCB and Bottom Chassis.
4. Disconnect the DY connector at the CN401 connector on the Main .
5. Using the jig, release the hooks (2) connecting the Front Cover and Main PCB then lift up the Bottom to separate the two Shield.

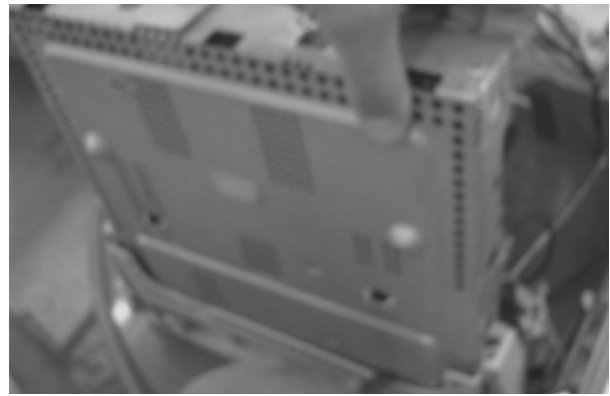


Figure 5

6. Disconnect the Tilt connector at the CN304 connector on the Main PCB.(PN15HT/HO)
7. Disconnect the Sub PCB connector at the CN203 connector on the Main PCB.
8. Remove the screws on the back and along each side of the Bottom Chassis.
9. Carefully lift the Main PCB Ass'y and remove the remaining ground wires.
10. Place the Main PCB Ass'y on a flat, level surface that is protected from static electricity.

3-1-5 CRT Ass'y Disassembly

1. Complete all previous steps.
2. Straighten the Degaussing Coil Assembly coated metal ties and lift the Coil Ass'y from the CRT.
3. Remove the four corner screws and lift the CRT up and away from the Front Cover Assembly and place it on a padded surface.

Caution: Do not lift the CRT by the neck.

If you will be returning this CRT to the monitor, be sure to place the CRT face downward on a protective pad.

3-2 Reassembly

Reassembly procedures are in the reverse order of Disassembly procedures.

4 Alignment and Adjustments

This section of the service manual explains how to make permanent adjustments to the monitor. Directions are given for adjustments using the monitor Interface Board Ver. 2.0 and software (Softjig).

4-1 Adjustment Conditions

Caution: Changes made without the Softjig are saved only to the user mode settings. As such, the settings are not permanently stored and may be inadvertently deleted by the user.

4-1-1 Before Making Adjustments

4-1-1 (a) ORIENTATION

When servicing, always face the monitor to the east.

4-1-1 (b) MAGNETIC FIELDS

Whenever possible, use magnetic field isolation equipment such as a Helmholtz field to surround the monitor. If a Helmholtz field is not available, frequently degauss the unit under test.

Caution: Other electrical equipment may cause external magnetic fields which may interfere with monitor performance.

Use an external degaussing coil to limit magnetic build up on the monitor. If an external degaussing coil is not available, use the internal degaussing circuit. However, do not use the internal degaussing circuit more than once per 30 minutes.

4-1-1 (c) WARM-UP TIME

The monitor must be on for 30 minutes before starting alignment. Warm-up time is especially critical in color temperature and white balance adjustments.

4-1-1 (d) SIGNAL

Analog, 0.7 V_{p-p} positive at 75 ohm, internal termination

Sync: TTL level, negative/positive

4-1-1 (e) SCANNING FREQUENCY

Horizontal: 30 kHz ~ 55 kHz (Automatic) : VT/VO
30 kHz ~ 70 kHz (Automatic) : HT/HO

Vertical: 50 Hz ~ 120 Hz (Automatic) : VT/VO
50 Hz ~ 160 Hz (Automatic) : HT/HO

Unless otherwise specified, adjust at the
800 x 600 mode (54 kHz/85 Hz) : VT/VO,
1024 x 768 mode (68 kHz/85 Hz) : HT/HO signal.

4-1-2 Required Equipment

The following equipment may be necessary for adjustment procedures:

4-1-2 (a) DISPLAY CONTROL ADJUSTMENT

1. Non-metallic (-) screwdriver:
1.5, 2.5, 3 mm
2. Non-metallic (+) screwdriver:
1.5, 2.5, 3 mm
3. Digital Multimeter (DMM), or
Digital Voltmeter
4. Signal generator, or
DM200 software
5. Software: Softjig or DM200
6. Interface Board Ver. 2.0 Code No.
BH81-90001K
7. Parallel communications cable (25-pin to
25-pin); Code No. BH81-90001H
8. Signal cable (15-pin to 15-pin cable with
additional 3-pin connector); Code No.
BH81-90001J
9. 5 V DC adapter, not supplied
10. Personal computer

Note: Softjig Ass'y (includes items 6, 7 and 9)
Code No. BH81-90001L

4-1-2 (b) COLOR ADJUSTMENTS

1. All equipment listed in 4-1-2 (a), above
2. Color analyzer, or any luminance
measurement equipment

4-1-3 Connecting the SoftJig

Connect the monitor to the signal generator and/or PC as illustrated in Figures 4-1 and 4-2.

Note: The signal cable connector which includes the 3-wire cable must connect to the monitor. If you use Setup 2 (PC only, no signal generator) you can only make adjustments to the signal timing available on that computer system. To make corrections to all factory timings requires the use of an additional signal generator.

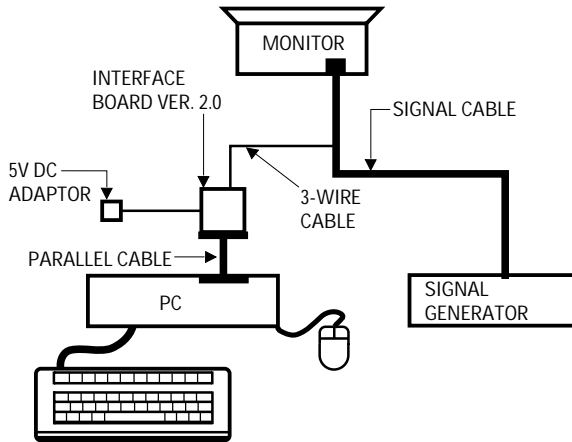


Figure 4-1. Setup 1, With Signal Generator

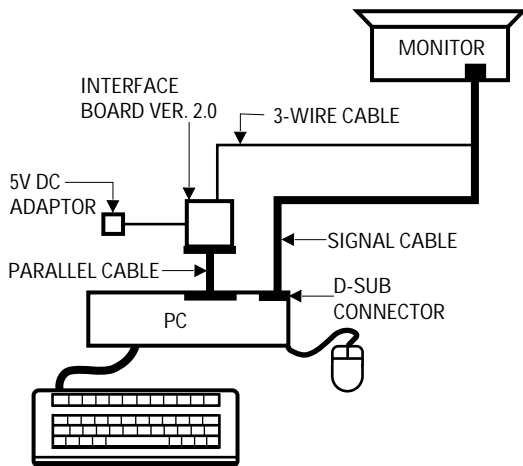


Figure 4-2. Setup 2, Without Signal Generator

4-2 Display Control Adjustments

4-2-1 HIGH VOLTAGE ADJUSTMENT (Only HT/HO)

Signal: 800 x 600 (54 kHz/85 Hz)
 Display image: Full White Pattern
 Contrast: Maximum
 Brightness: Maximum
 Limit: 25.0 kV \pm 0.2 kV

Measure the high voltage level at the anode cap. High voltage should be within the limit as above. If the high voltage needs adjustment use the following procedure.

PROCEDURE

1. Turn the power off and disconnect the AC line cord from the power source.
2. Turn the power on after connecting high voltage Probe.
3. Using the jig, adjust the high voltage to the specification.

* High Voltage Adjustment PROCEDURE using Softjig

- ① Select matching model name in "Model" field.
- ② Select "@7: Zero Beam" in menu after selecting "Extra 1"
- ③ Adjust high voltage using control bar after selecting "HV MIN"
- ④ Turn the power off/on after adjustment finished.
- ⑤ Check the high voltage has been fixed with adjusted value after reselecting "@7: Zero Beam".

4-2-2 CENTER RASTER

Adjust VR401 so that the back raster comes to the center when you apply each basic mode.

4-2-3 Centering

Centering means to position the center point of the display in the middle of the display area. Horizontal size and position and vertical size and position control the centering of the display.

Adjust the horizontal size and vertical size to their optimal settings: 267 mm (H) x 200 mm.

Adjust the horizontal position and vertical position to ≤ 4.0 mm of the center point of the screen.

$$|A - B| \leq 4.0 \text{ mm.} \quad |C - D| \leq 4.0 \text{ mm.}$$

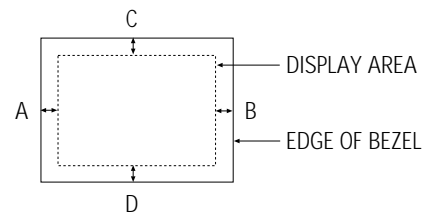


Figure 4-3. Centering

4-2-3 (a-1) HORIZONTAL SIZE ADJUSTMENT

CONDITIONS

Scanning frequency: 54 kHz/85 Hz (VT/VO)
 68 kHz/85 Hz (HT/HO)
 Display image: Crosshatch pattern
 Brightness: Maximum
 Contrast: Maximum

Use control bar after selecting "SIZE B+" in left menu to adjust the horizontal size of the display pattern to 255 mm. (Tolerance: ± 1 mm.)

4-2-3 (a-2) HORIZONTAL SIZE ADJUSTMENT

Use control bar after selecting "H-SIZE" in left menu to adjust the horizontal size of the display pattern to 267 mm. (Tolerance: ± 3 mm.)

4-2-3 (b) VERTICAL SIZE ADJUSTMENT

CONDITIONS

Scanning frequency: 54 kHz/85 Hz
 Display image: Crosshatch pattern
 Brightness: Maximum
 Contrast: Maximum

Use control bar after selecting "V-SIZE" in left menu to adjust the vertical size of the display pattern to 200 mm. (Tolerance: ± 3 mm.)

4 Alignment and Adjustments

4-2-3 (c) HORIZONTAL POSITION ADJUSTMENT

CONDITIONS

Scanning frequency: 54 kHz/85 Hz
 Display image: Crosshatch pattern

Use control bar after selecting “**H-POSITION**” in left menu to center the horizontal image on the raster.

4-2-3 (d) VERTICAL POSITION ADJUSTMENT

CONDITIONS

Scanning frequency: 54 kHz/85 Hz
 Display image: Crosshatch pattern

Use control bar after selecting “**V-POSITION**” in left menu to center the vertical image on the raster.

4-2-4 Linearity

Linearity affects the symmetry of images as they appear on the screen. Unless each row or column of blocks in a crosshatch pattern is of equal size, or within the tolerances shown in Table 4-1 an image appears distorted, elongated or squashed.

$$\text{Horizontal Linearity} = 2x \frac{X \text{ max}-X \text{ min}}{X \text{ max}+X \text{ min}} \times 100$$

$$\text{Vertical Linearity} = 2x \frac{Y \text{ max}-Y \text{ min}}{Y \text{ max}+Y \text{ min}} \times 100$$

Table 4-1

	Adjacent Linearity	Entire Linearity
Preset mode	≤ 4%	≤ 10%
Pre-load mode (48kHz-)	≤ 5%	≤ 14%

※ Preset Mode : 54KHz / 85Hz
 Pre-load Mode : Refer to Timing Chart

4-2-4 (a) HORIZONTAL LINEARITY ADJUSTMENT

CONDITIONS

Scanning frequency: 54 kHz/85 Hz
 Display image: Crosshatch pattern
 Brightness: Maximum
 Contrast: Maximum

To adjust the Horizontal Linearity, refer to Table 4-1 for the tolerance range.

Increase or decrease **H_LIN** to optimize the image.

4-2-4 (b) VERTICAL LINEARITY ADJUSTMENT

CONDITIONS

Scanning frequency: 54 kHz/85 Hz
 Display image: Crosshatch pattern
 Brightness: Maximum
 Contrast: Maximum

To adjust the Vertical Linearity, refer to Table 4-1 for the tolerance range.

Use control bar after selecting “**V-LINEARITY BAL**” in left menu to optimize the image.

4-2-5 Trapezoid Adjustment

CONDITIONS

Scanning frequency: 54 kHz/85 Hz
 Display image: Crosshatch pattern
 Brightness: Maximum
 Contrast: Maximum

Use control bar after selecting “**TRAPEZOID**” in left menu to make the image area rectangular.

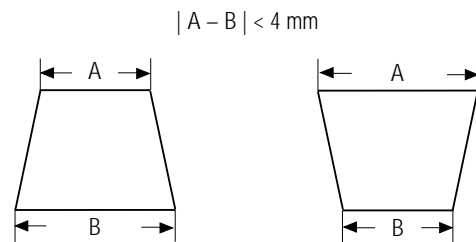


Figure 4-4. Trapezoid

4-2-6 Pinbalance Adjustment

CONDITIONS

Scanning frequency: 54 kHz/85 Hz
 Display image: Crosshatch pattern
 Brightness: Maximum
 Contrast: Maximum

Use control bar after selecting “**PINBALANCE**” in left menu to optimize the image.

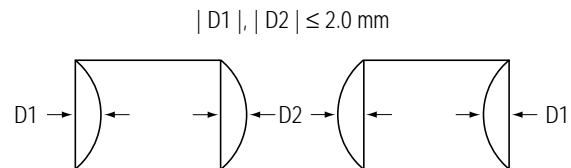


Figure 4-5. Pinbalance

4-2-7 Parallelogram Adjustment

CONDITIONS

Scanning Frequency: 54 kHz/85 Hz
 Display image: Crosshatch pattern
 Brightness: Maximum
 Contrast: Maximum

Use control bar after selecting “**PARALLEL**” in left menu to make the image area rectangular.

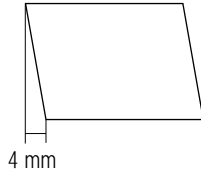


Figure 4-6. Parallelogram

4-2-8 Side Pincushion Adjustment

CONDITIONS

Scanning frequency: 54 kHz/85 Hz
 Display image: Crosshatch pattern

Use control bar after selecting “**PINCUSHION**” in left menu to straighten the sides of the image area.

$$|C1|, |C2| \leq 2.0 \text{ mm}, |D1|, |D2| \leq 2.0 \text{ mm}.$$

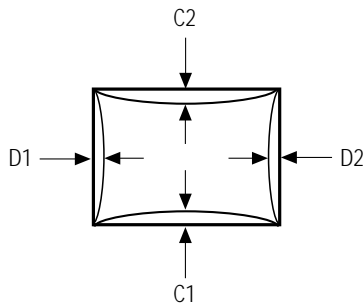


Figure 4-7. Pincushion

4-2-9 Tilt Adjustment (Only HT/HO)

CONDITIONS

Scanning Frequency: 54 kHz/85 Hz
 Display image: Crosshatch pattern
 Brightness: Maximum
 Contrast: Maximum

Use control bar after selecting “**ROTATION**” in left menu to correct the tilt of the display.

4-2-10 Degauss

No adjustments are available for the degaussing circuit. The degaussing circuit can effectively function only once per 30 minutes.

4-2-11 To Delete the User Mode Data

To delete the adjustment data from the user modes, click “@4: **USER DELETE**” in right ment.

4-2-12 Save the Data

To save the adjustment data for a mode, press “@3: **ALL MODE SAVE**” in right ment.

4-3 Color Adjustments

CAUTION : Check below condition before color adjustment
 Video signal : Analog 0.7 Vp-p (at 75 Ω)
 Sync : TTL level (H, V separate signal)

* Select “Color” in Softjig menu for color adjustment.

4-3-1 Color Coordinates (Temperature)

Color temperature is a measurement of the radiant energy transmitted by a color. For computer monitors, the color temperature refers to the radiant energy transmitted by white. Color coordinates are the X and Y coordinates on the chromaticity diagram of wavelengths for the visible spectrum.

CONDITIONS

Measurement instrument: Color analyzer
 Scanning frequency: 54 kHz/85 Hz
 Display image: White flat field at center of display area
 Luminance: Maximum

PROCEDURE

Use the directions in sections 4-3-2 through 4-3-3 to adjust the color coordinates for:
 9300K to $x = 0.283 \pm 0.015$, $y = 0.298 \pm 0.015$
 6500K to $x = 0.313 \pm 0.015$, $y = 0.329 \pm 0.015$

4-3-2 Color Adjustments for 9300K

4-3-2 (a) BACK RASTER COLOR ADJUSTMENT

CONDITIONS

Scanning frequency: 54 kHz/85 Hz
 Display image: Back raster pattern
 Brightness: Maximum
 Contrast: Maximum

1. Select “@1: CHANNEL 1” in right menu to control the color for 9300K.
2. Adjust the luminance of the back raster to between 0.5 to 0.7 ft-L using control bar after selecting “GREEN CUTOFF” in the menu.
3. Use control bar after selecting “BLUE CUTOFF” in left menu to set the “y” coordinate to 0.298 ± 0.015
4. Use control bar after selecting “RED CUTOFF” in left menu to 0.283 ± 0.015

* If color values would not be matched desirable values, repeat sequence 3 and 4 after readjusting “GREEN CUTOFF” control a little different.

4-3-2 (b) WHITE BALANCE ADJUSTMENT

CONDITIONS

Scanning frequency: 54 kHz/85 Hz
 Display image: White box pattern
 Brightness: 0.06ft-L at Back Raster Pattern Display
 Contrast: Maximum

1. Use control bar after selecting “RED GAIN”, “GREEN GAIN” and “BLUE GAIN” to adjust the luminance to 50 ft-L with the color coordinates ranged for 9300K to $x = 0.283 \pm 0.015$, $y = 0.298 \pm 0.015$.

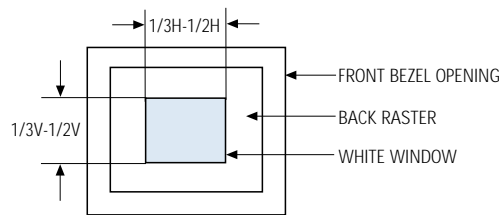


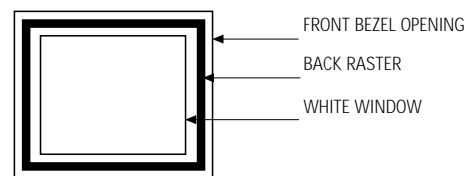
Figure 4-8. White Box Pattern

4-3-2 (c) ABL ADJUSTMENT

CONDITIONS

Scanning frequency: 54 kHz/85 Hz
 Display image: Full white pattern
 Brightness: Maximum
 Contrast: Maximum

Figure 4-9. Full White Pattern



1. Check the ABL. If it is not within the specifications, use the ABL controls to adjust it. (38 ± 1 ft-L)
2. Select “@4: COLOR SAVE” to save the data.
3. Select “@6: ALL COLOR SAVE” to save the CH2.

4-3-2 (d) WHITE BALANCE ADJUSTMENT VERIFICATION

CONDITIONS

Scanning frequency: 54 kHz/85 Hz

Display image: Back raster pattern
Full White Pattern
X-Y Coordinates: $x = 0.283 \pm 0.015$,
 $y = 0.298 \pm 0.015$
ABL Luminance Refer to 4-3-2(c)
Brightness: Maximum
Contrast: 5 ft-L, 24 ft-L

1. Check whether the color coordinates of the back raster satisfy the above spec.
If they do not, return to 4-3-2 (a) and readjust all settings.
2. Display a full white pattern.
3. Select "Geometry" in softjig menu.
4. Select "@7: 5-ft " in right menu.
5. Check whether the white coordinates of the video meet the above coordinates spec.
6. Select "@8: 24-ft " in right menu.
7. Check whether the white coordinates of the video satisfies the above spec.
If they do not, return to 4-3-2 (a) and readjust all settings.

Select "Color" and click "@2: CHANNEL 2" for color adjustment for 6500K
Repeat the sequence of 9300K adjustment.
The luminance values the same as 9300K, but the color coordinated of back raster and white box are : $x = 0.313 \pm 0.015$ $y = 0.329 \pm 0.015$

4-3-3 Luminance Uniformity Check

Luminance is considered uniform only if the ratio of lowest to highest brightness areas on the screen is not less than 7.5:10.

CONDITIONS
Scanning frequency: 54 kHz/85 Hz
(1024 x 768)
Display image: White flat field
Brightness: Cut off point at 24 ft-L
Contrast: Maximum

PROCEDURE
Measure luminance at nine points on the display screen (see figure below).

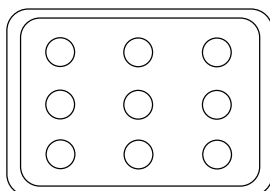


Figure 4-10. Luminance Uniformity Check Locations

4-3-4 Focus Adjustment

CONDITIONS
Scanning frequency: 54 kHz/85 Hz
(1024 x 768)
Display image: "H" character pattern
Brightness: Cut off point
Contrast: Maximum

- PROCEDURE
1. Adjust the Focus VR on the FBT to display the sharpest image possible.
 2. Use Locktite to seal the Focus VR in position.

4-3-5 Color Purity Adjustment

Color purity is the absence of undesired color. Conspicuous mislanding (unexpected color in a uniform field) within the display area shall not be visible at a distance of 50 cm from the CRT surface.

CONDITIONS
Orientation: Monitor facing east
Scanning frequency: 54 kHz/85 Hz
Display image: White flat field
Luminance: Cut off point at the center of the display area

Note: Color purity adjustments should only be attempted by qualified personnel.

PROCEDURE
For trained and experienced service technicians only.

Use the following procedure to correct minor color purity problems:

1. Make sure the display is not affected by external magnetic fields.
2. Make sure the spacing between the PCM assembly and the CRT stem is $29 \text{ mm} \pm 1 \text{ mm}$.
3. Display a green pattern over the entire display area.
4. Adjust the purity magnet rings on the PCM assembly to display a pure green pattern.
(Optimum setting: $x = 0.295 \pm 0.015$, $y = 0.594 \pm 0.015$)

Table 4-2. Color Purity Tolerances

Red:	$x = 0.640 \pm 0.015$	$y = 0.323 \pm 0.015$
Green:	$x = 0.295 \pm 0.015$	$y = 0.594 \pm 0.015$
Blue:	$x = 0.142 \pm 0.015$	$y = 0.066 \pm 0.015$

(For 9300K color adjustment: $x = 0.283 \pm 0.015$, $y = 0.298 \pm 0.015$)

5. When you have the PCMs properly adjusted, carefully glue them together to prevent their movement during shipping.

Memo

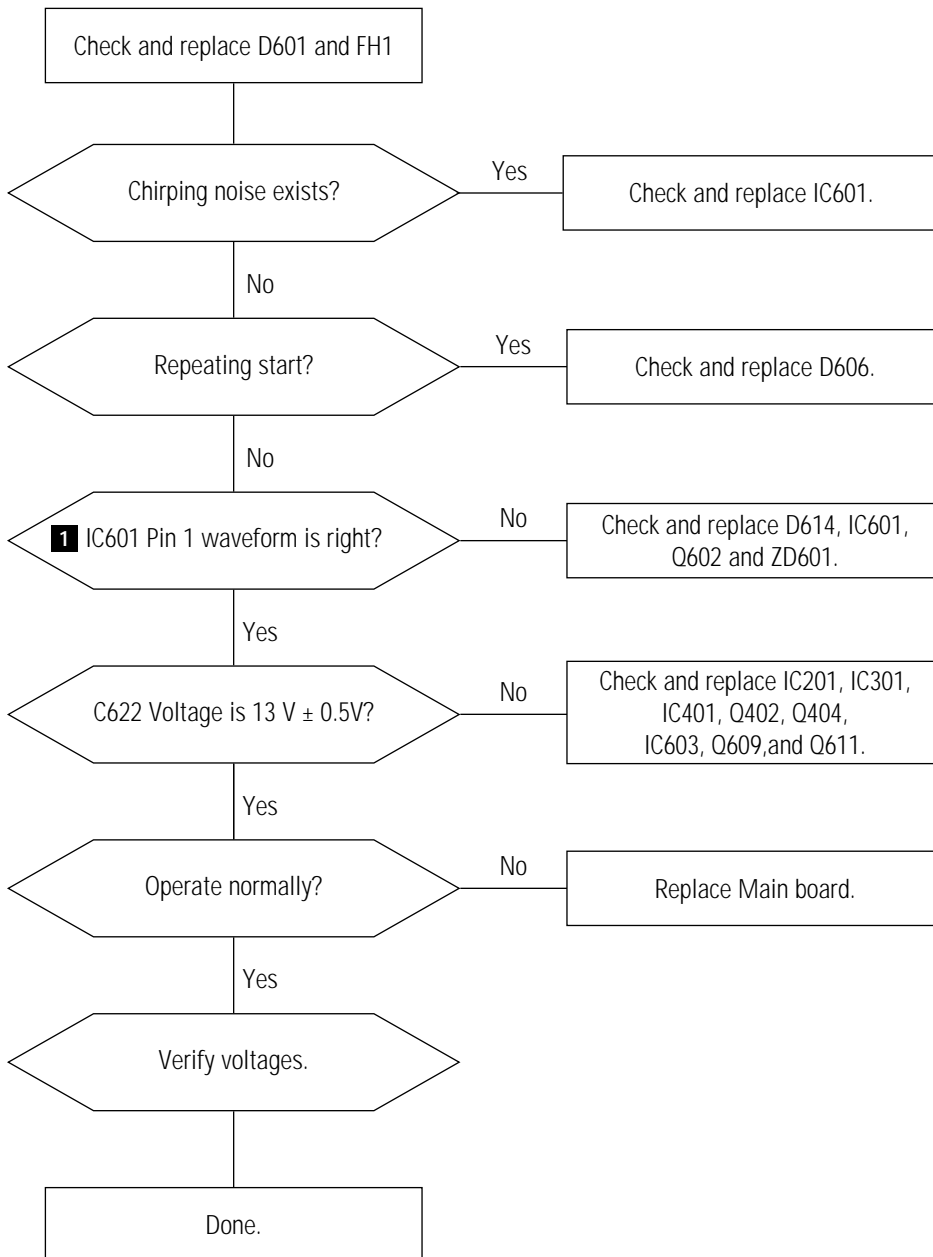
5 Troubleshooting

5-1 Parts Level Troubleshooting

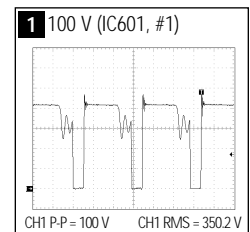
Notes: Check the following circuits.

- No raster appears: Power circuit, Horizontal output circuit.
- High voltage develops but no raster appears: Video output circuits.
- High voltage does not develop: Horizontal output circuits.

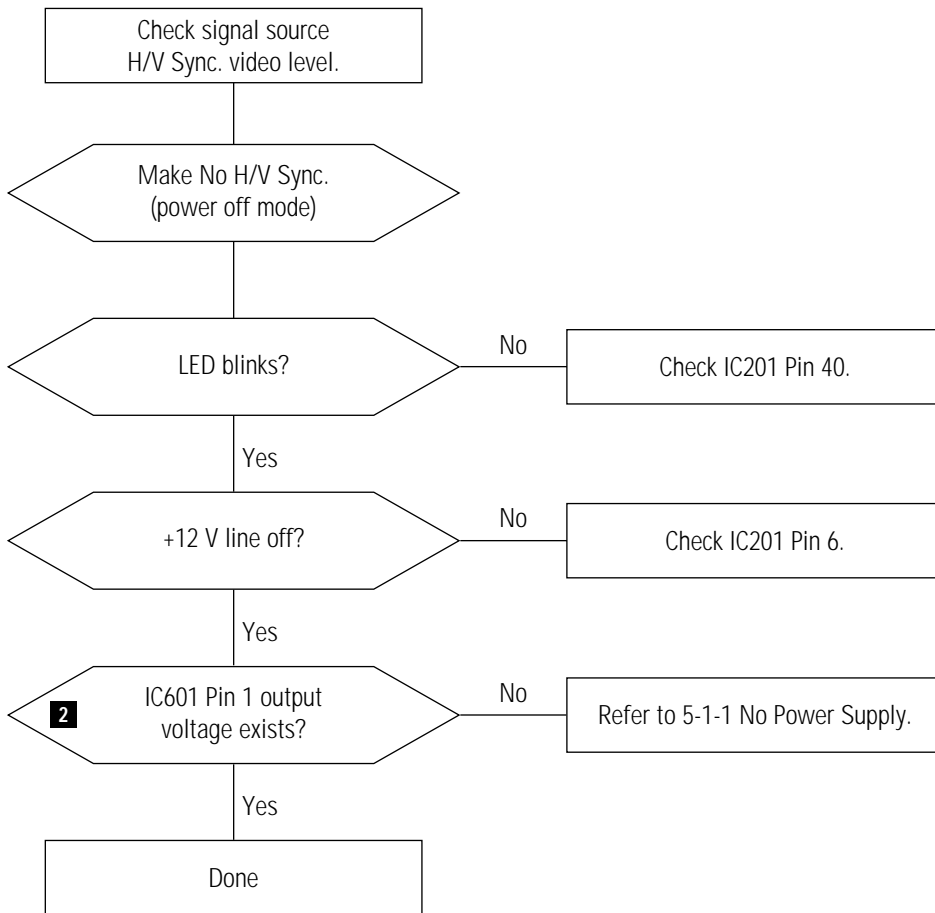
5-1-1 No Power Supply



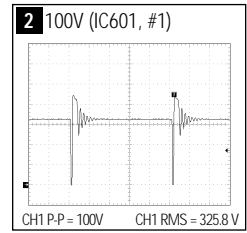
WAVEFORMS



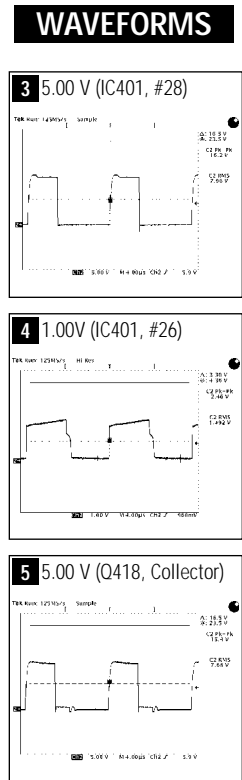
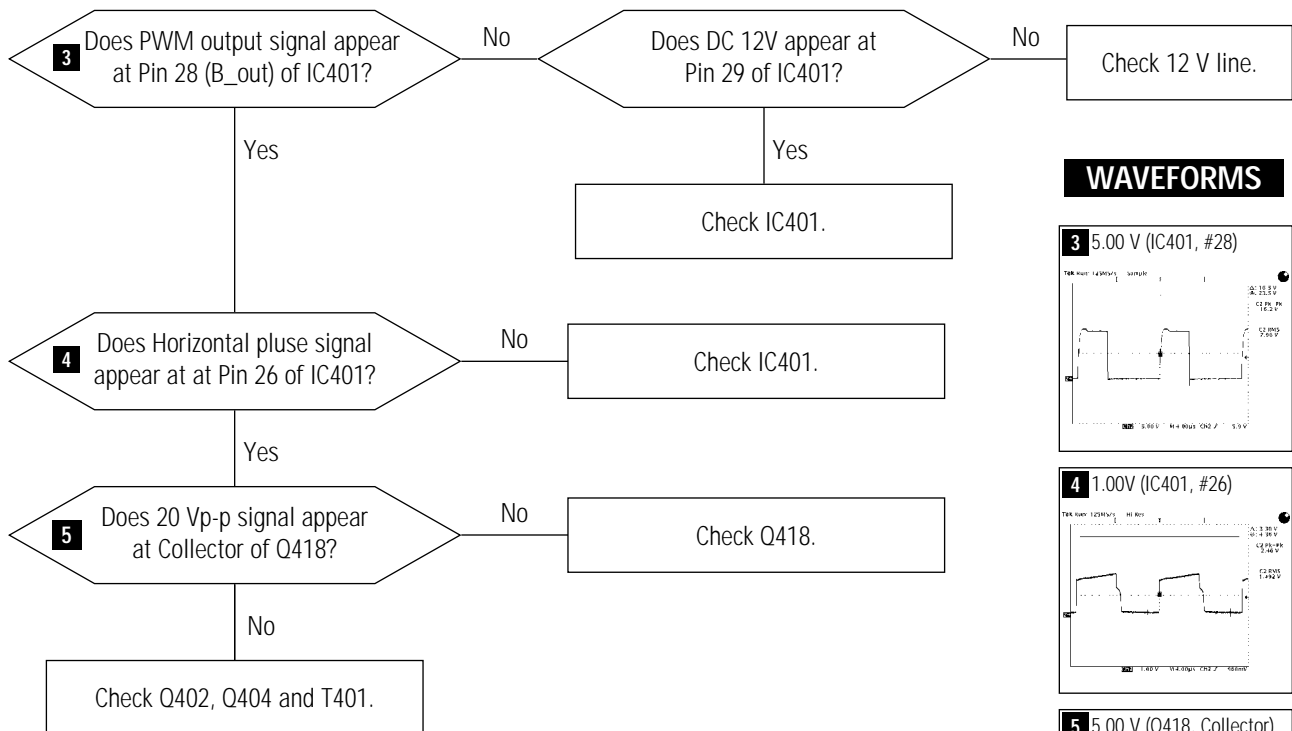
5-1-2 DPMS Failure



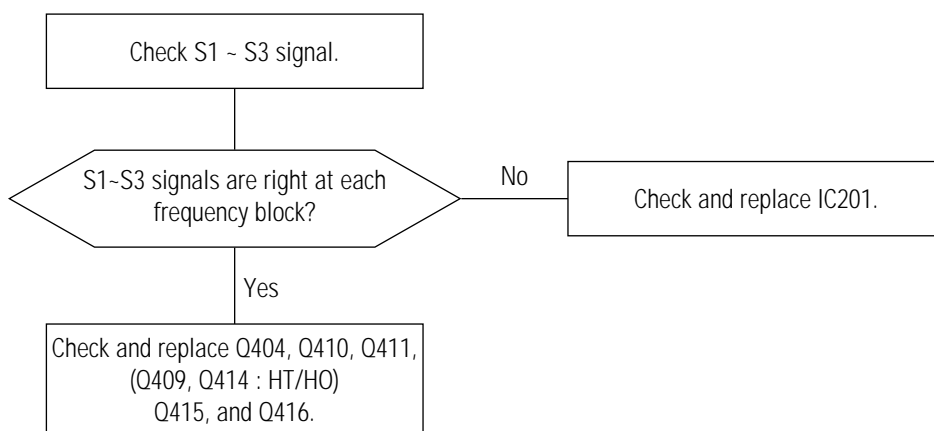
WAVEFORMS



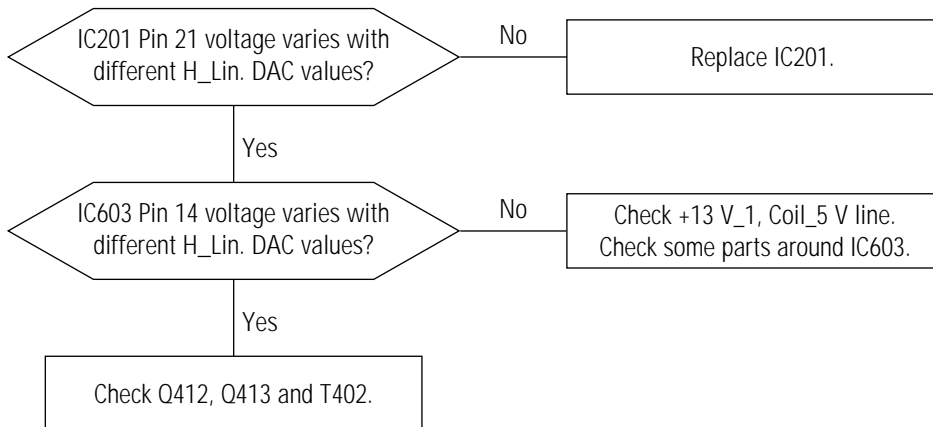
5-1-3 H_Deflection Failure



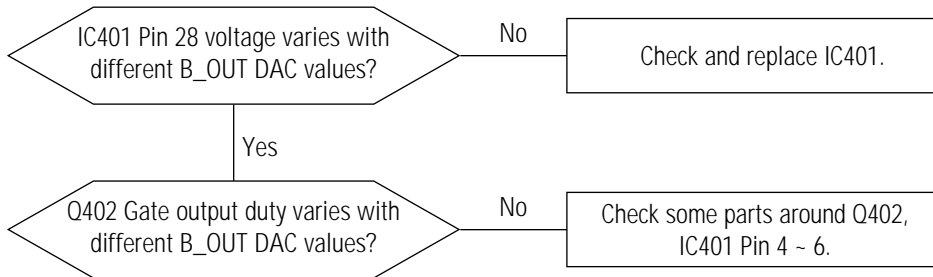
7-1-4 S Correction Failure



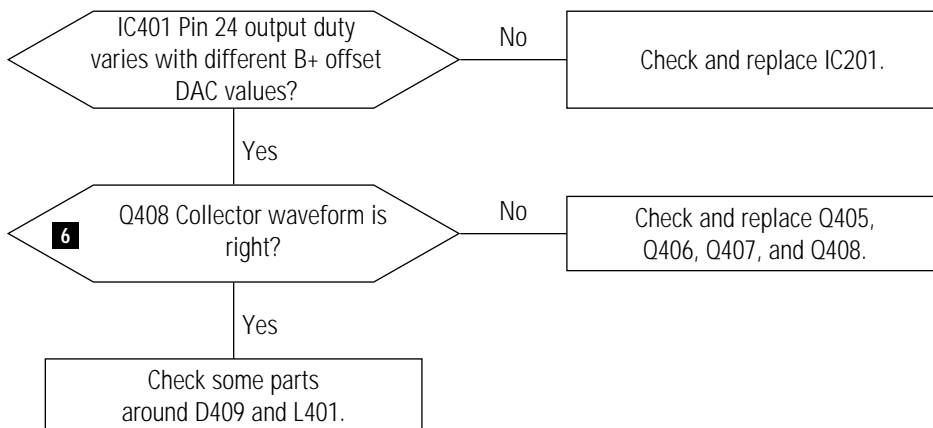
5-1-5 H_Lin. Failure



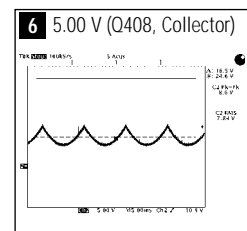
5-1-6 Invariable H_Size



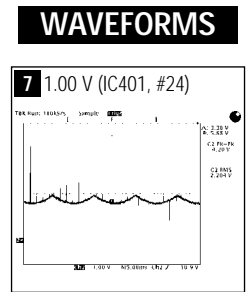
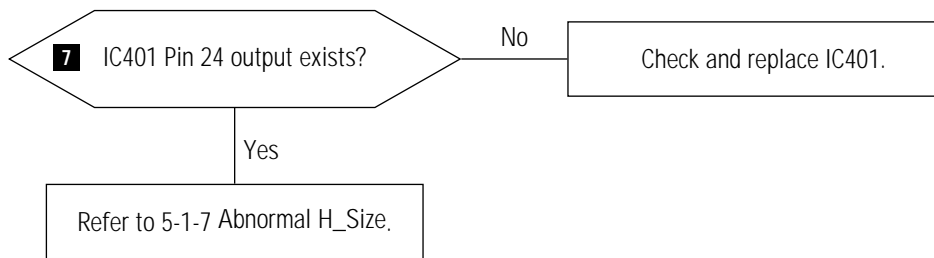
5-1-7 Abnormal H_Size



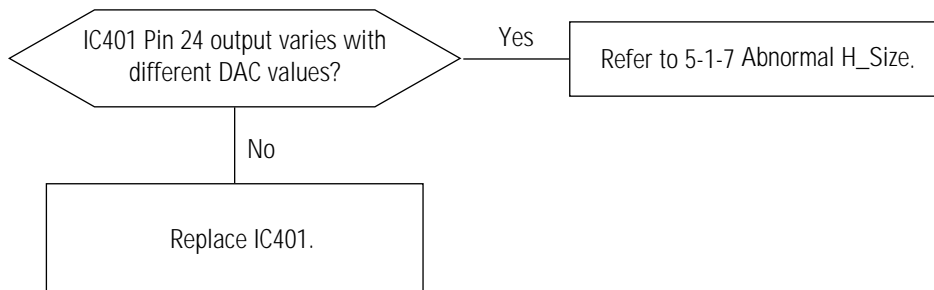
WAVEFORMS



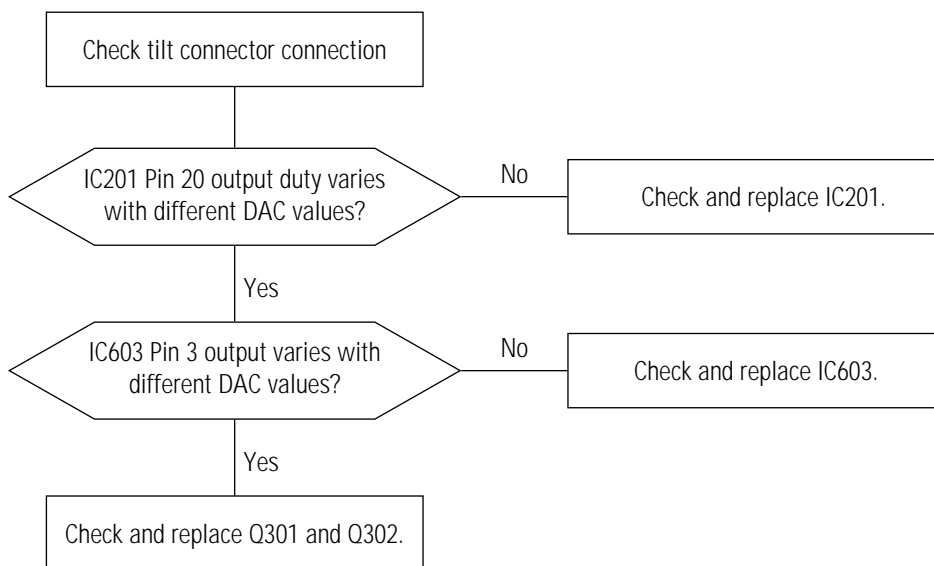
5-1-8 Side Pin or Trap Failure



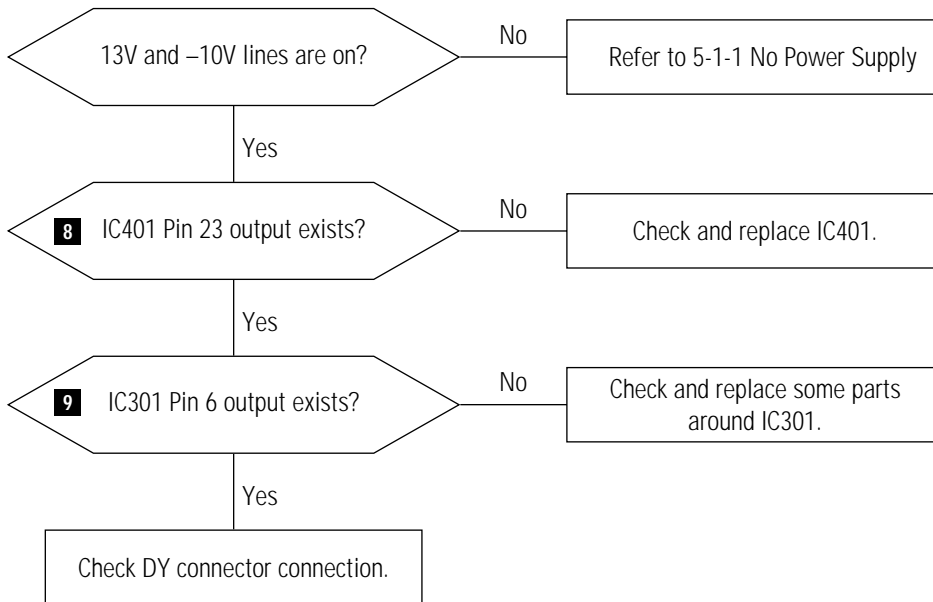
5-1-9 Para. or Pin Balance Failure



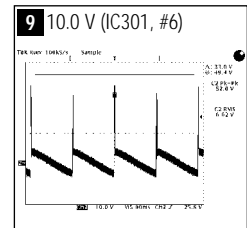
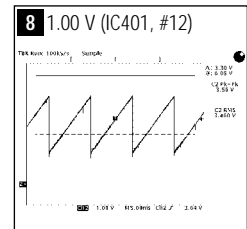
5-1-10 Tilt Failure (only HT/HO)



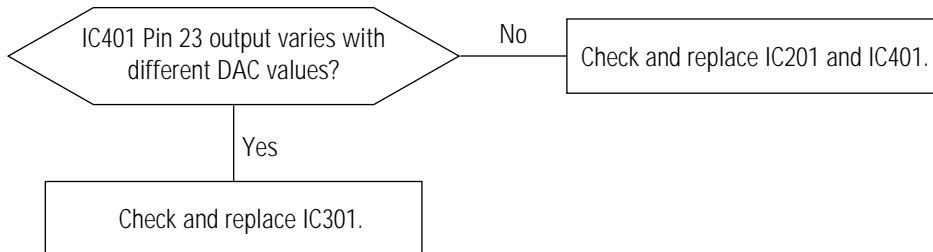
5-1-11 V Deflection Failure



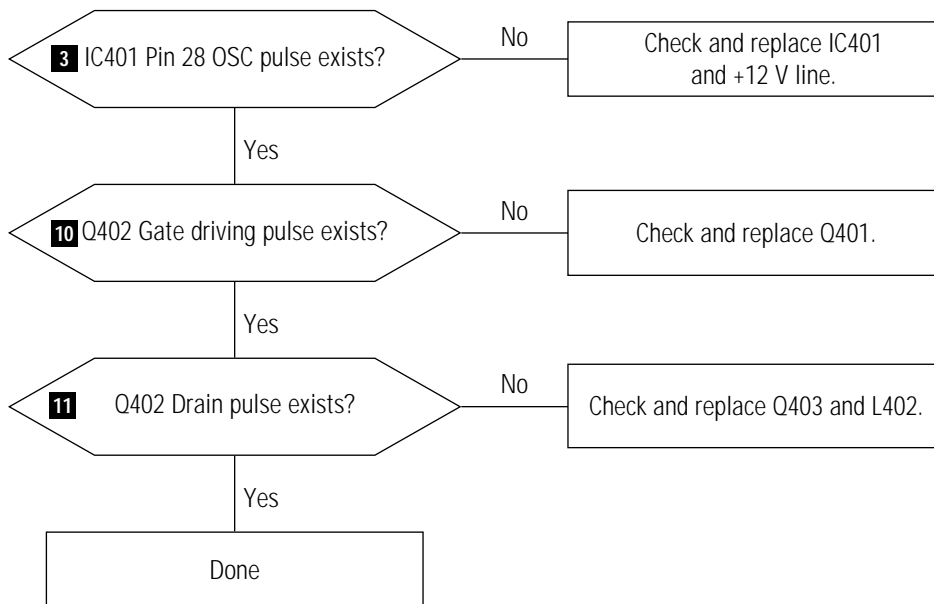
WAVEFORMS



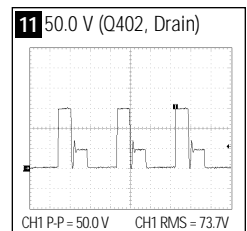
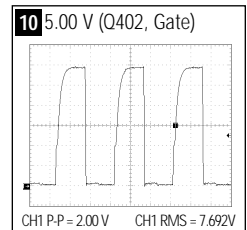
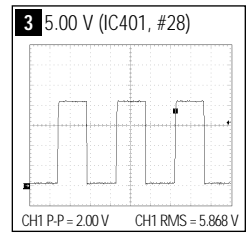
5-1-12 V Size or Position Variation Failure



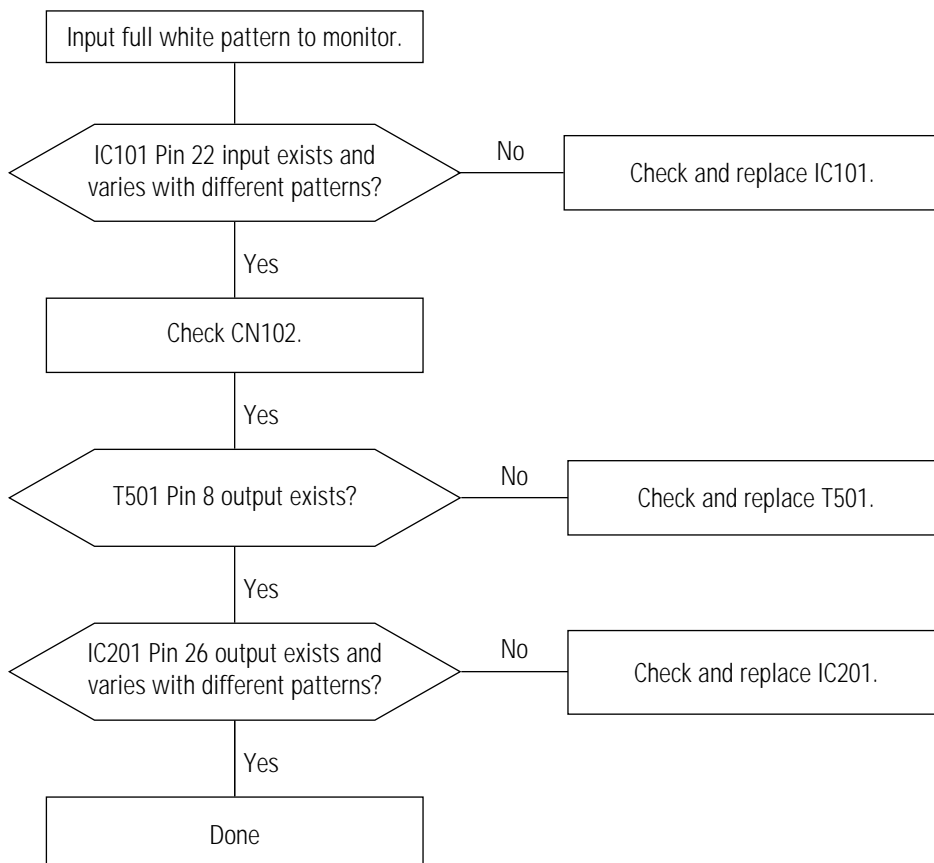
5-1-13 High Voltage Failure



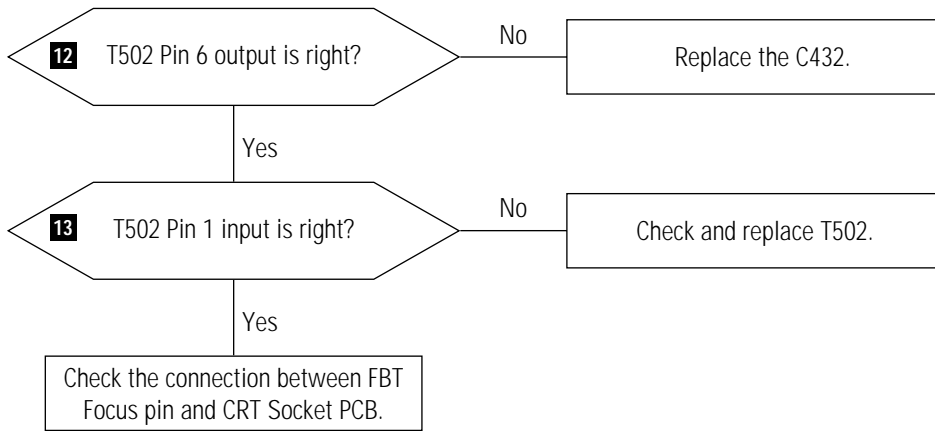
WAVEFORMS



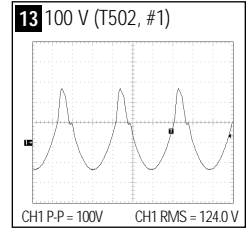
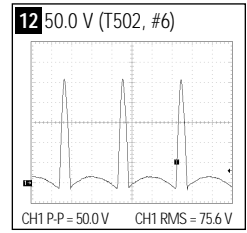
5-1-14 ABL Failure



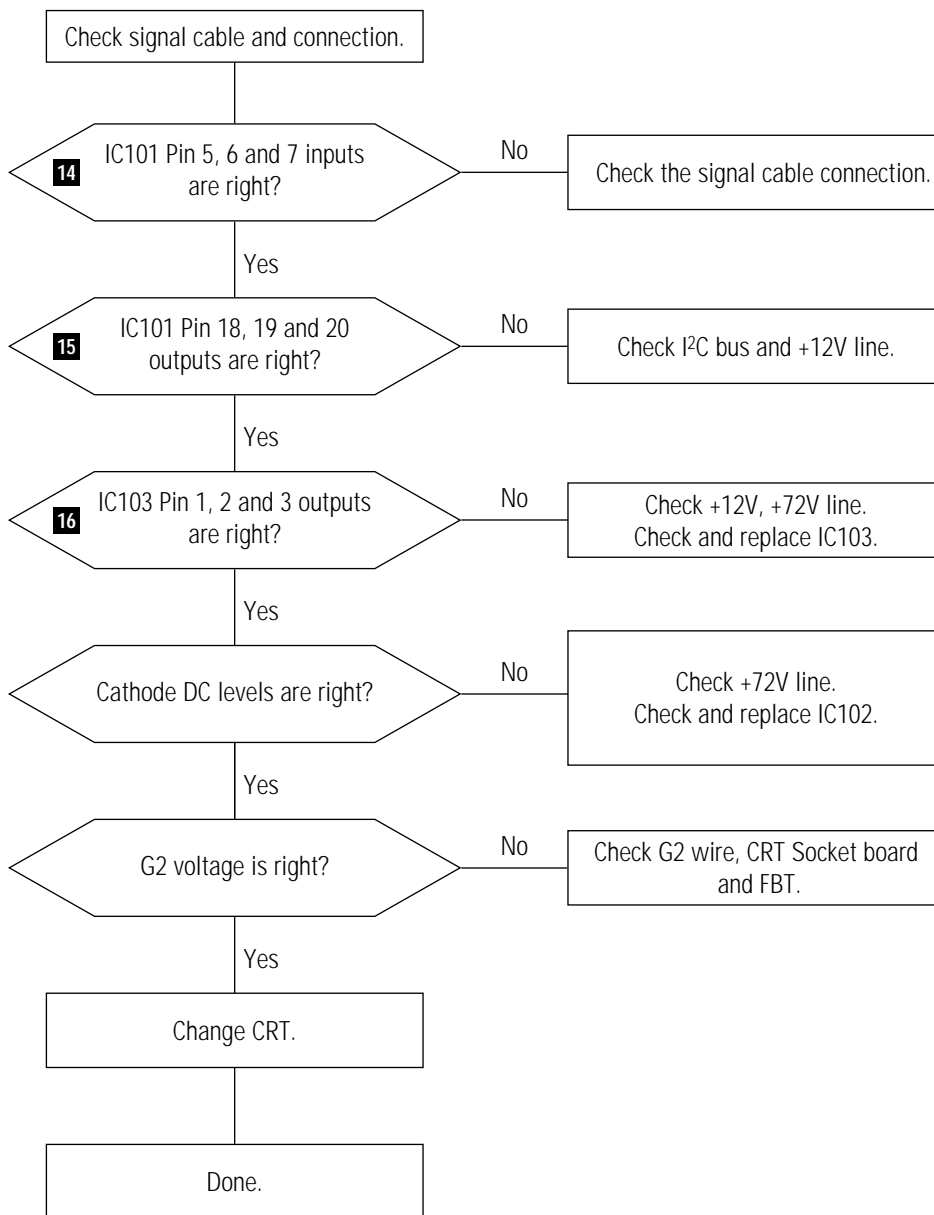
5-1-15 Dynamic Focus Failure



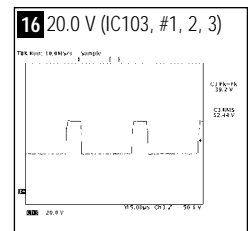
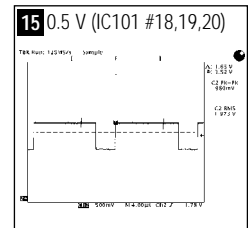
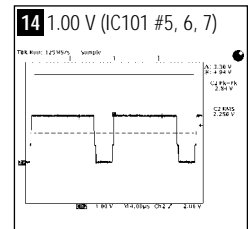
WAVEFORMS



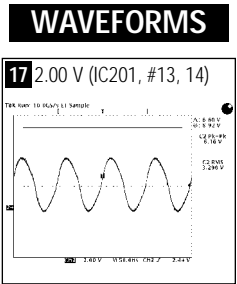
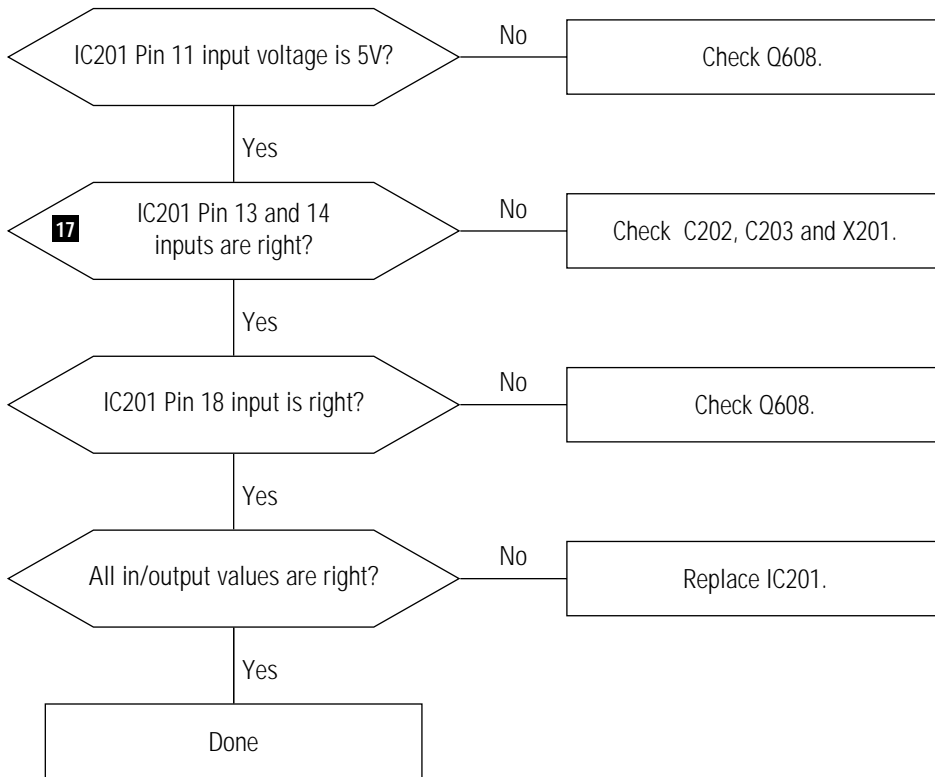
5-1-16 No Video



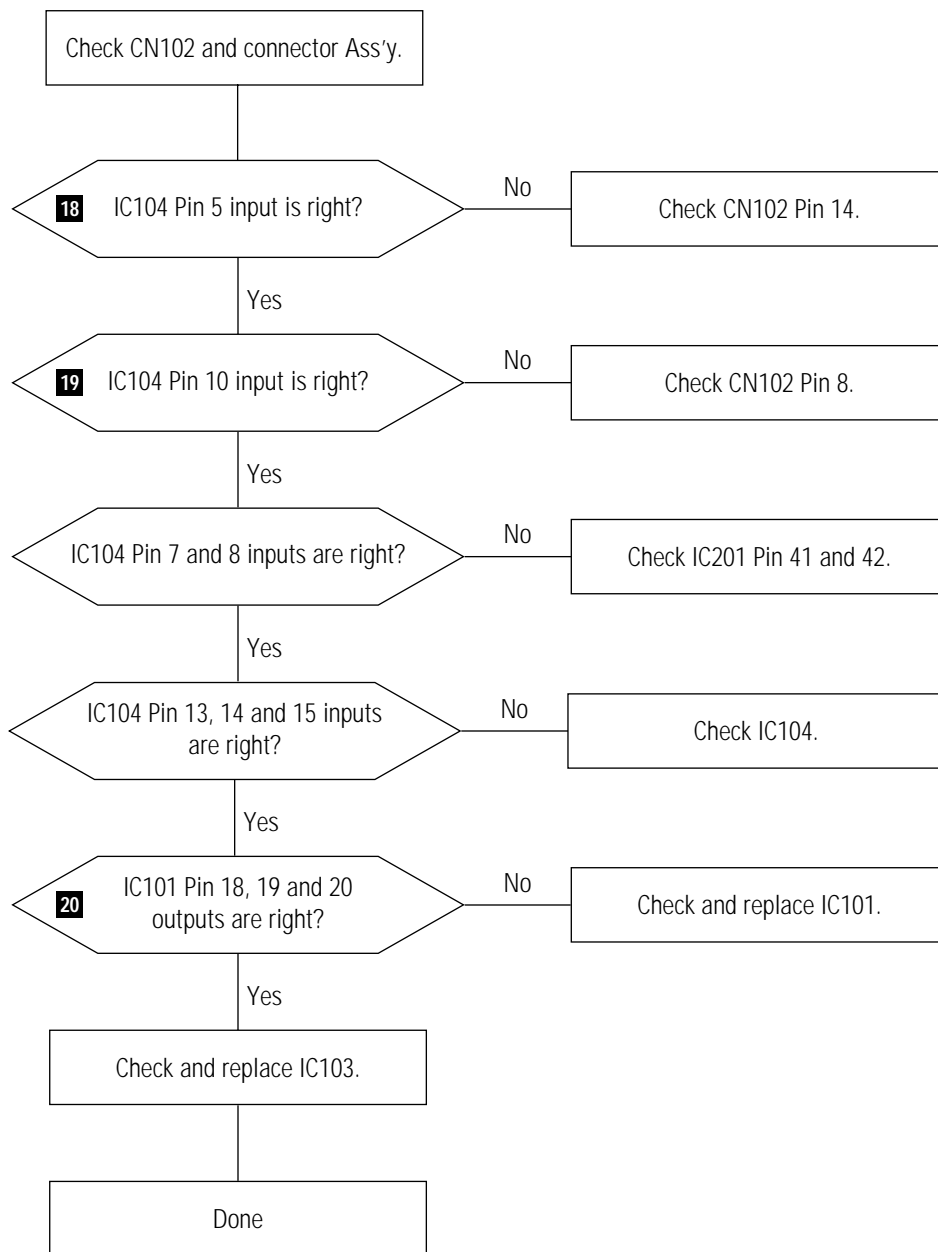
WAVEFORMS



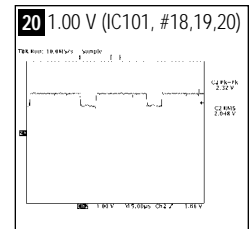
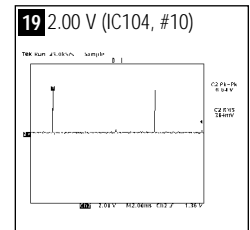
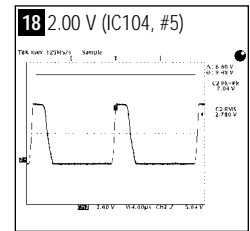
5-1-17 Micom Failure



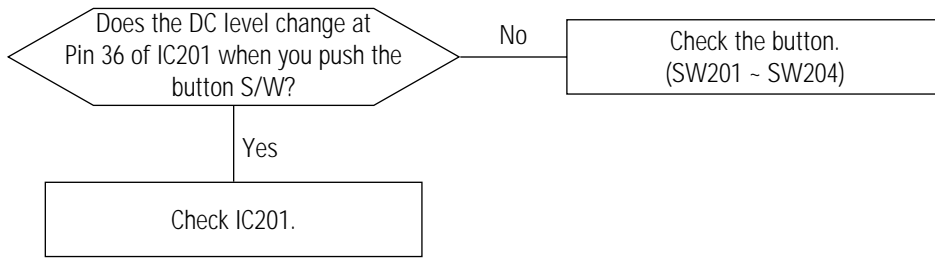
5-1-18 OSD Failure



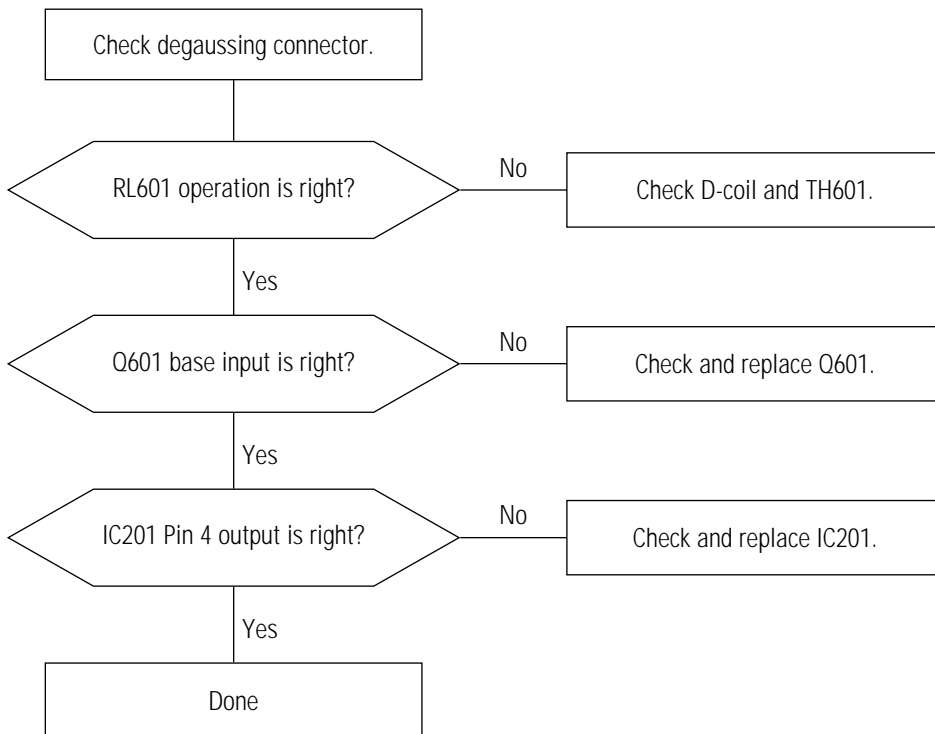
WAVEFORMS



5-1-19 User Control Failure

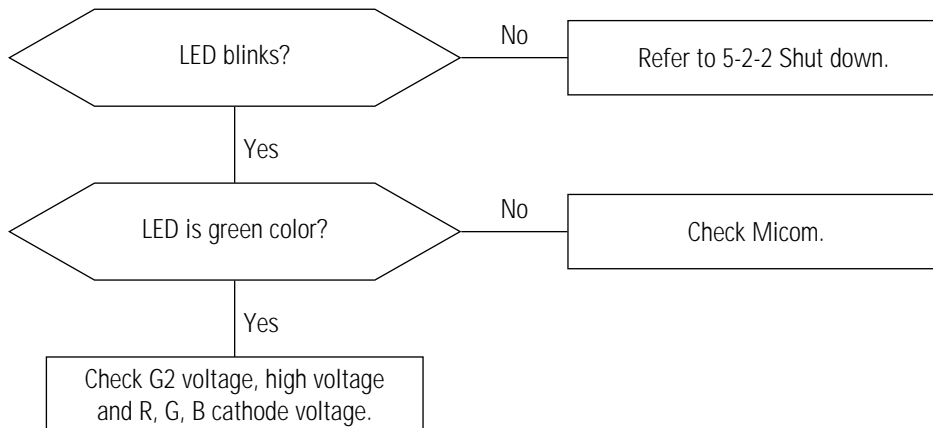


5-1-20 Degaussing Failure

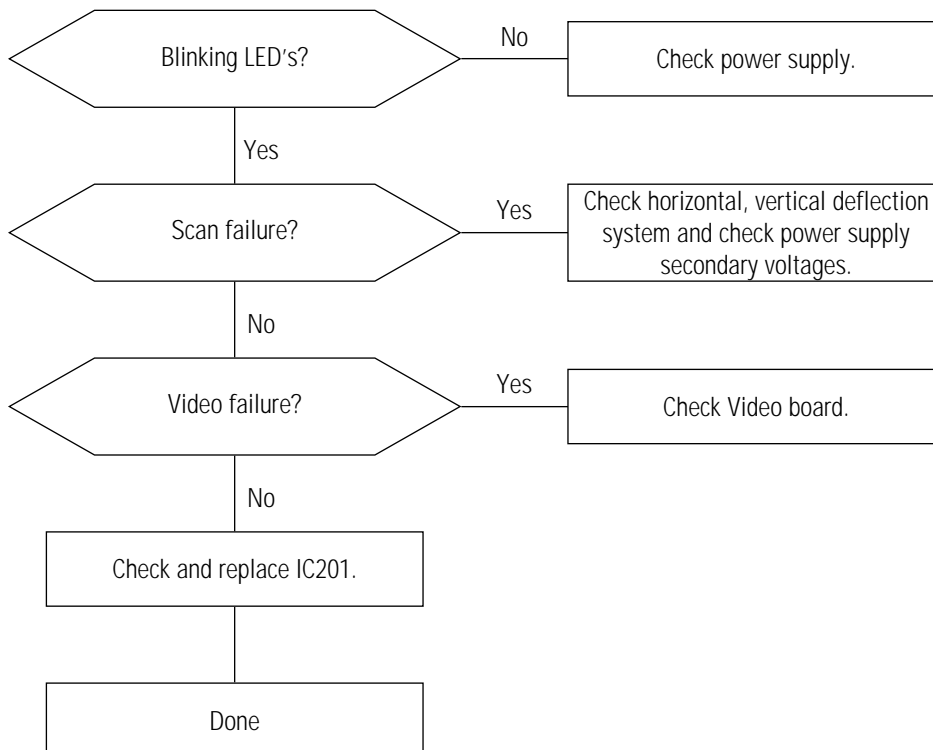


5-2 General Troubleshooting

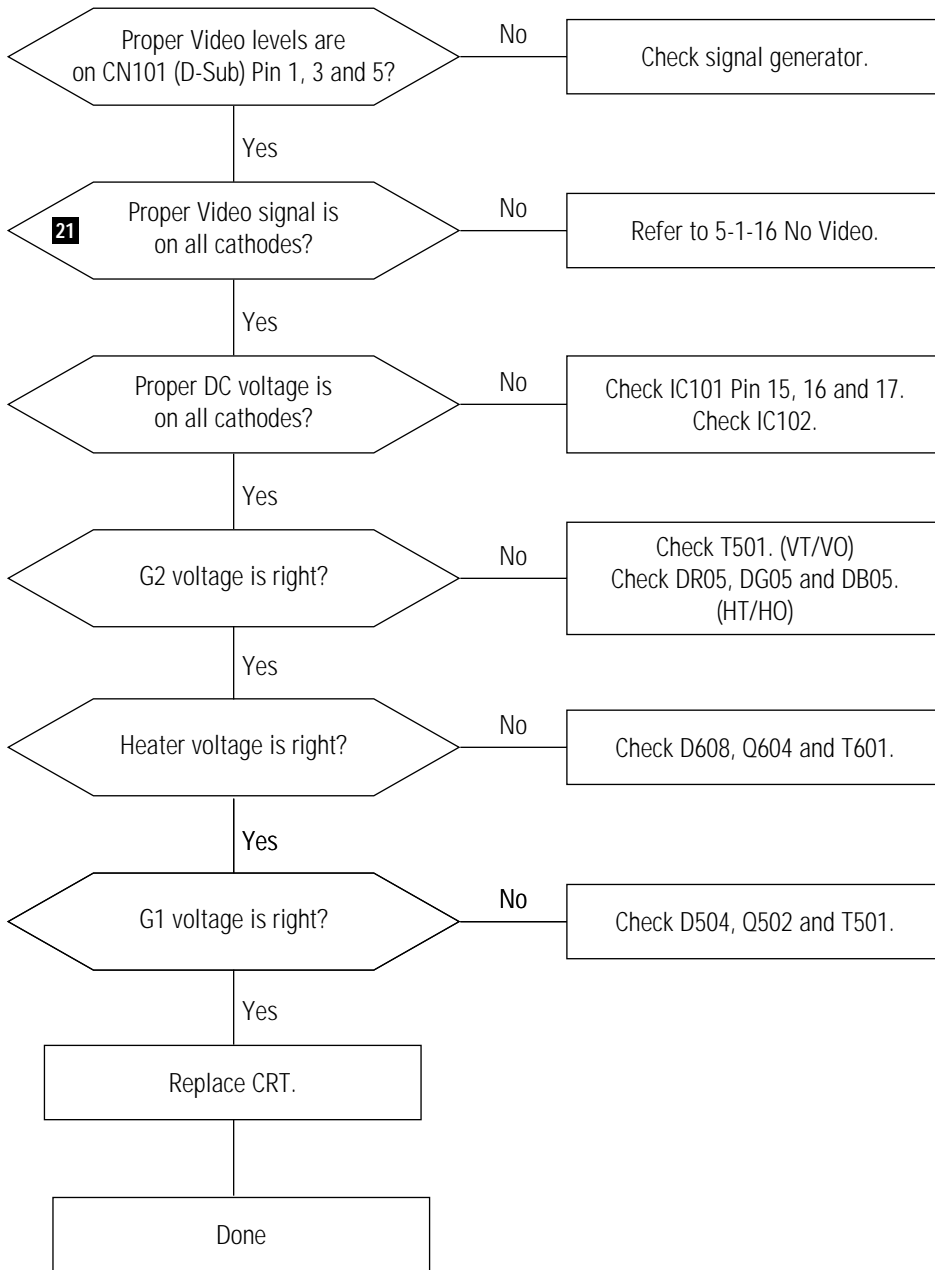
5-2-1 No Picture



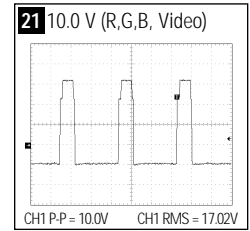
5-2-2 Shut Down



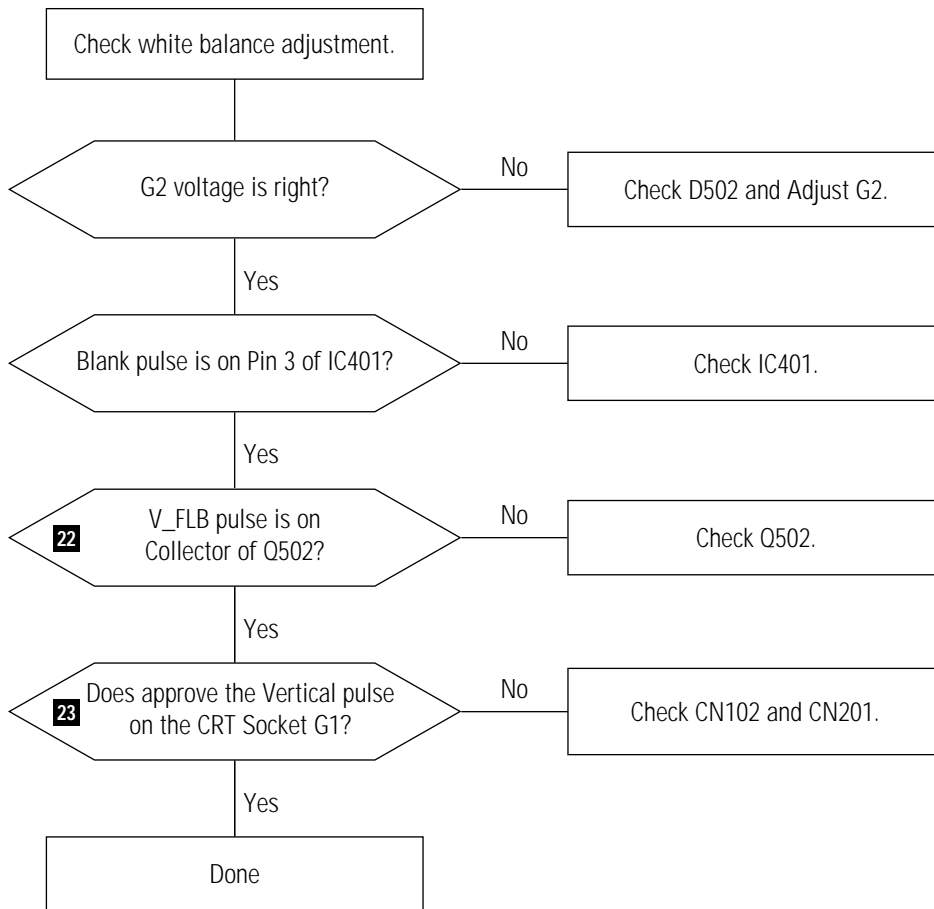
5-2-3 Missing Color



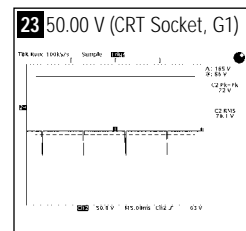
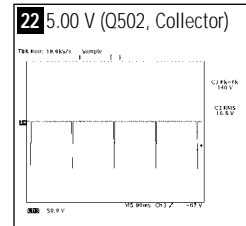
WAVEFORMS



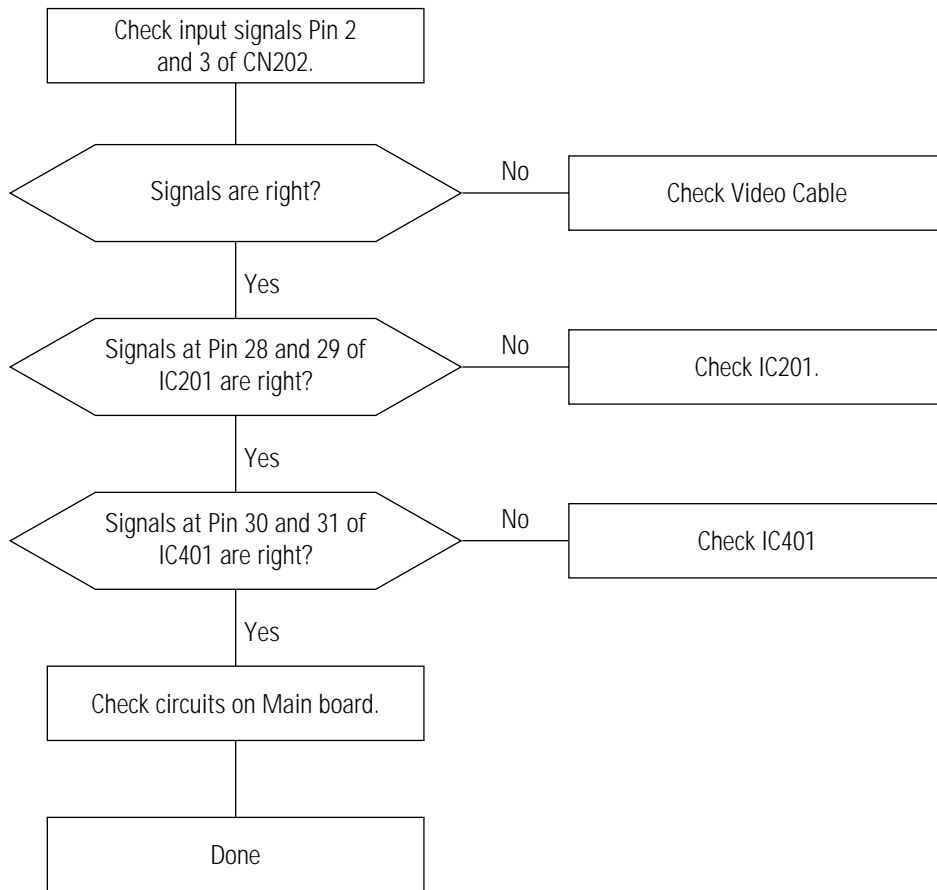
5-2-4 Visible Retrace



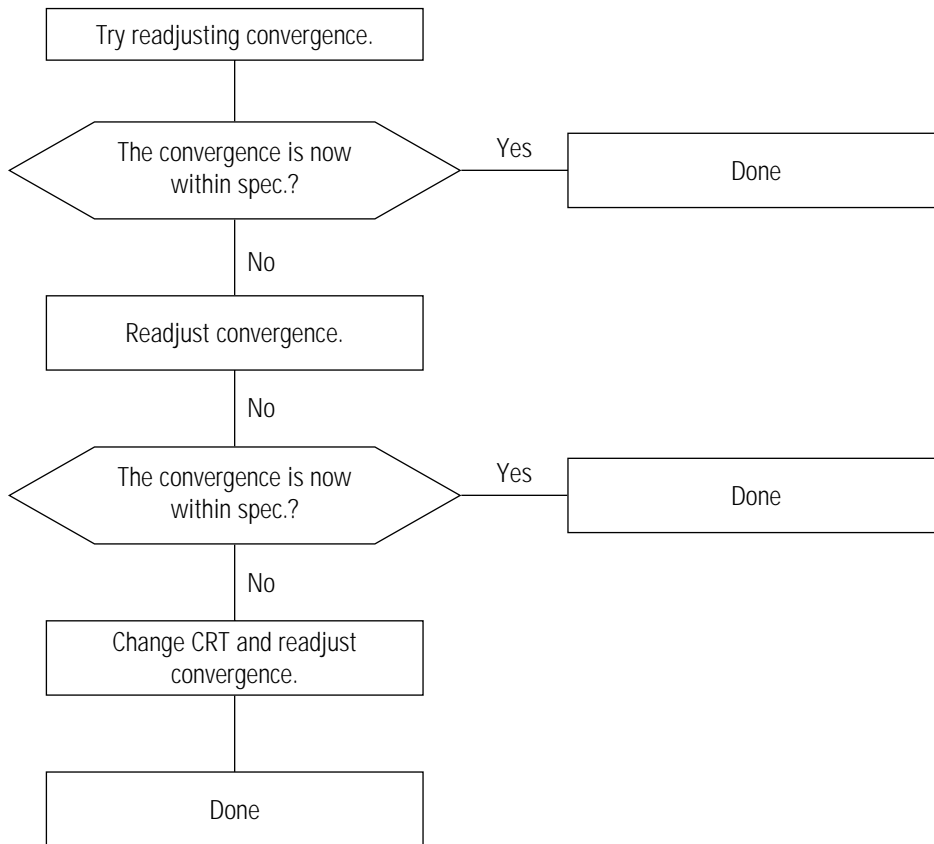
WAVEFORMS



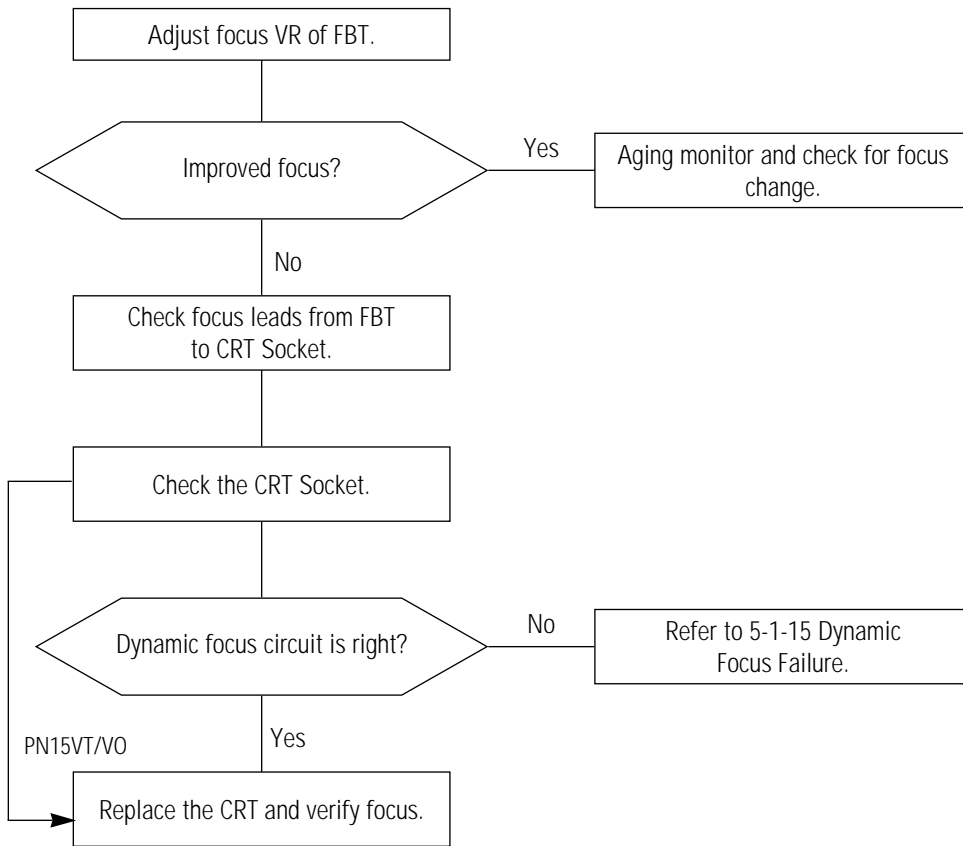
5-2-5 Unsynchronized Image



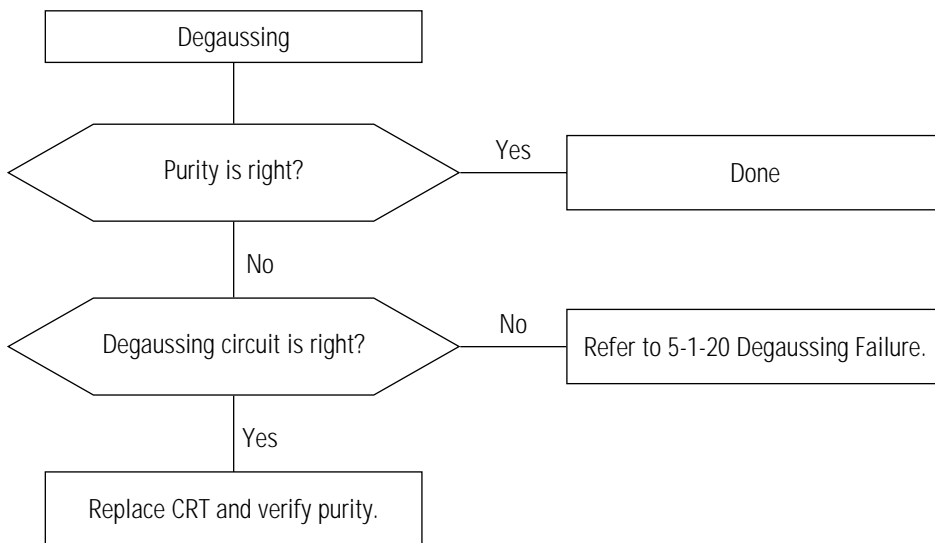
5-2-6 Misconvergence



5-2-7 Poor Focus



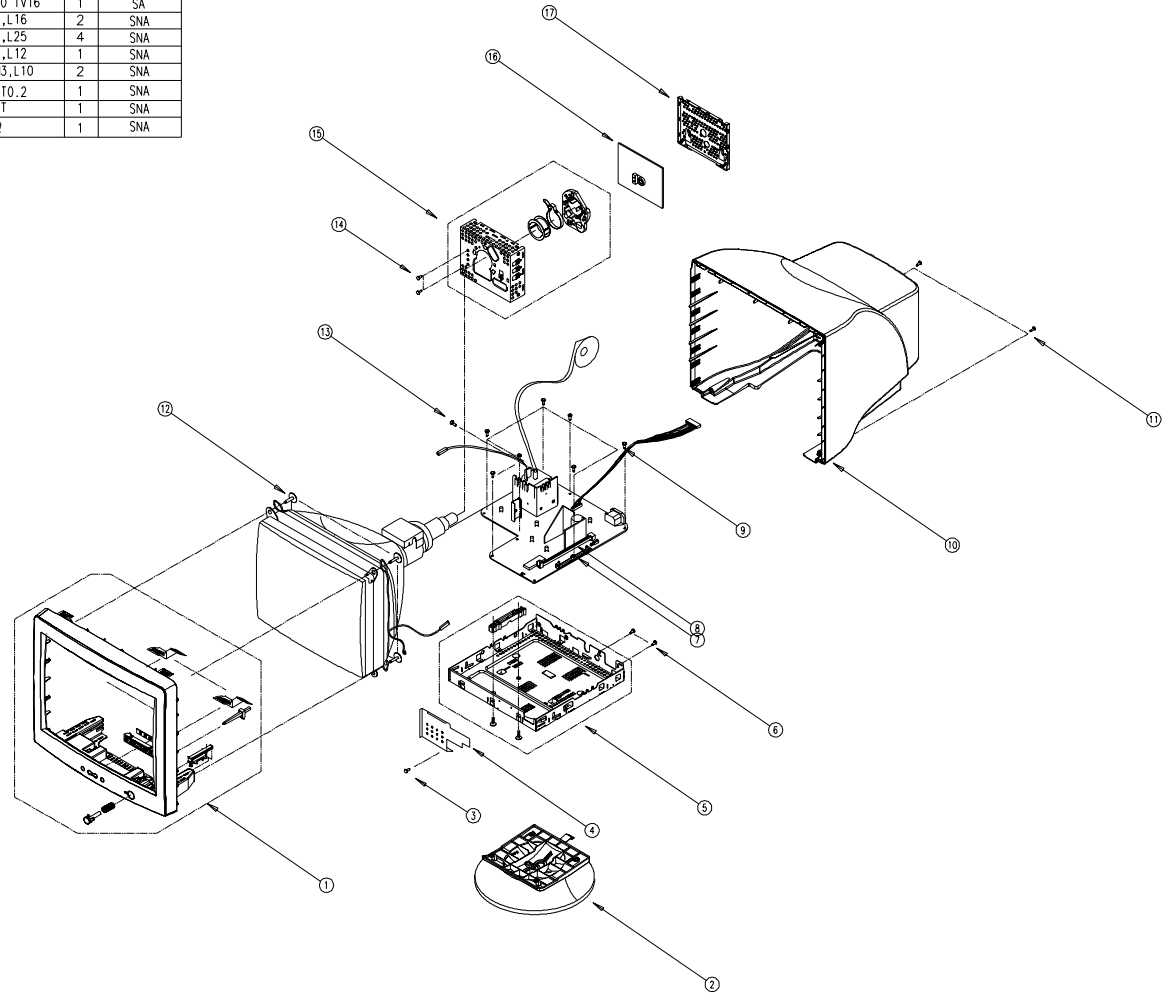
5-2-8 Purity Failure



6 Exploded View and Parts List

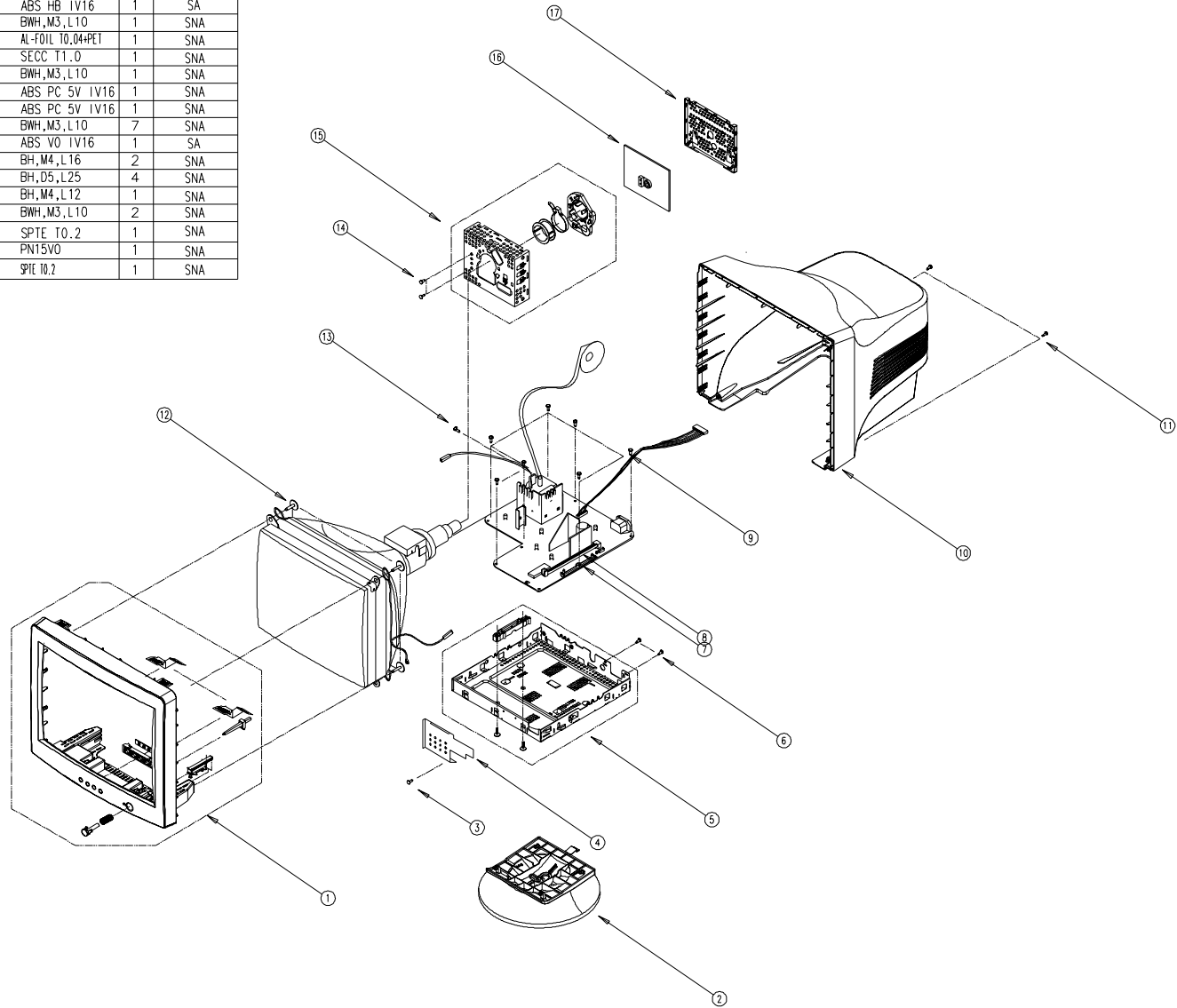
6-1 PN15VT/HT

NO	DESCRIPTION	CODE-NO(PN15VT)	SPECIFICATION	Q'TY	REMARK																		
1	UNIT/COVER-FRONT	BH75-00257A	ABS V0 1V16	1	SA																		
2	STAND/ASS'Y	BH75-00274A	ABS HB 1V16	1	SA																		
3	SCREW/TAPTITE	6003-000010	BWH_M3,L10	1	SNA																		
4	SHEET/LMF	BH72-00299A	AL-FDL10,04#PE1	1	SNA																		
5	UNIT/SHIELD-BOTTOM	BH75-00275A	SECC T1.0	1	SNA																		
6	SCREW/TAPTITE	6003-000010	BWH_M3,L10	1	SNA																		
7	GUIDE/POWER	BH72-00025A	ABS PC 5V 1V16	1	SNA																		
8	SHAFT/POWER	BH72-00026A	ABS PC 5V 1V16	1	SNA																		
9	SCREW/TAPTITE	6003-000010	BWH_M3,L10	7	SNA																		
10	COVER/REAR	BH72-00274A	ABS V0 1V16	1	SA																		
11	SCREW/TAPTITE	6003-000009	BH_M4,L16	2	SNA																		
12	SCREW-ASS'Y TAPTITE	6006-001010	BH_D5,L25	4	SNA																		
13	SCREW/TAPTITE	6003-000122	BH_M4,L12	1	SNA																		
14	SCREW/TAPTITE	6003-000010	BWH_M3,L10	2	SNA </tr <tr> <td>15</td> <td>UNIT/SHIELD-VIDEO</td> <td>BH75-00277A</td> <td>SPTC T0.2</td> <td>1</td> <td>SNA</td> </tr> <tr> <td>16</td> <td>VIDEO PCB</td> <td>BN71-D0108A</td> <td>PN15VT</td> <td>1</td> <td>SNA</td> </tr> <tr> <td>17</td> <td>SHIELD/VIDEO-CAP</td> <td>BH71-D0108A</td> <td>SPTC T0.2</td> <td>1</td> <td>SNA</td> </tr>	15	UNIT/SHIELD-VIDEO	BH75-00277A	SPTC T0.2	1	SNA	16	VIDEO PCB	BN71-D0108A	PN15VT	1	SNA	17	SHIELD/VIDEO-CAP	BH71-D0108A	SPTC T0.2	1	SNA
15	UNIT/SHIELD-VIDEO	BH75-00277A	SPTC T0.2	1	SNA																		
16	VIDEO PCB	BN71-D0108A	PN15VT	1	SNA																		
17	SHIELD/VIDEO-CAP	BH71-D0108A	SPTC T0.2	1	SNA																		



6-2 PN15VO/HO

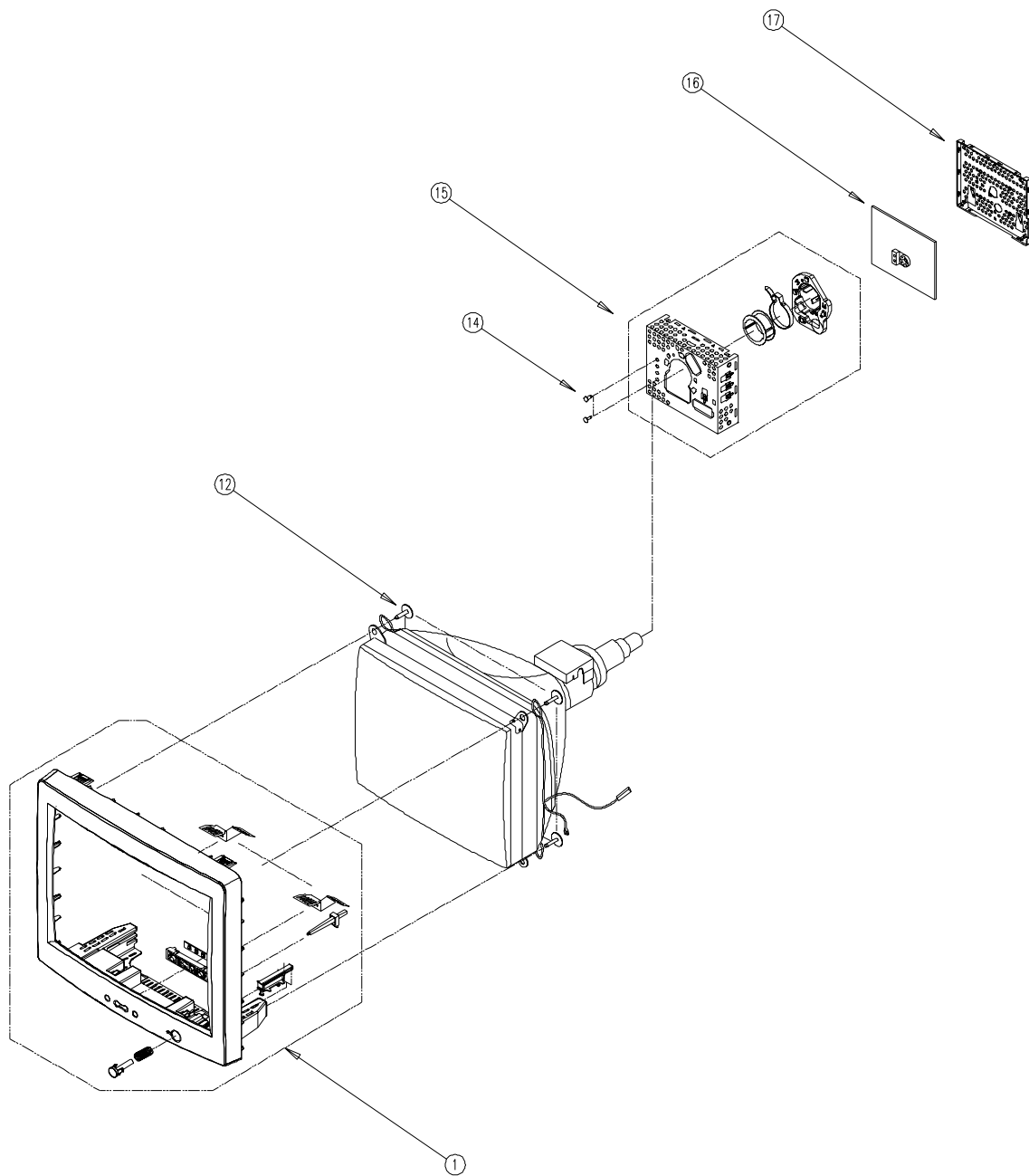
NO	DESCRIPTION	CODE-NO(PN15VO)	SPECIFICATION	q'ty	REMARK
1	UNIT/COVER-FRONT	BH75-00258A	ABS V0 IV16	1	SA
2	STAND/ASS'Y	BH75-00274A	ABS HB IV16	1	SA
3	SCREW/TAPTITE	6003-000010	BWH,M3,L10	1	SNA
4	SHEET/LMF	BH72-00299A	AL-FOIL T0.04-PET	1	SNA
5	UNIT/SHIELD-BOTTOM	BH75-00275A	SECC T1.0	1	SNA
6	SCREW/TAPTITE	6003-000010	BWH,M3,L10	1	SNA
7	GUIDE/POWER	BH72-00025A	ABS PC 5V IV16	1	SNA
8	SHAFT/POWER	BH72-00026A	ABS PC 5V IV16	1	SNA
9	SCREW/TAPTITE	6003-000010	BWH,M3,L10	7	SNA
10	COVER/REAR	BH72-00284A	ABS V0 IV16	1	SA
11	SCREW/TAPTITE	6003-000009	BH,M4,L16	2	SNA
12	SCREW-ASS'Y TAPTITE	6006-001010	BH,D5,L25	4	SNA
13	SCREW/TAPTITE	6003-000122	BH,M4,L12	1	SNA </td
14	SCREW/TAPTITE	6003-000010	BWH,M3,L10	2	SNA
15	UNIT/SHIELD-VIDEO	BH75-00277A	SPTF T0.2	1	SNA
16	VIDEO PCB	BN71-00108A	PN15VO	1	SNA
17	SHIELD/VIDEO-CAP	BH71-00108A	SPTF T0.2	1	SNA



6 Exploded View and Parts List

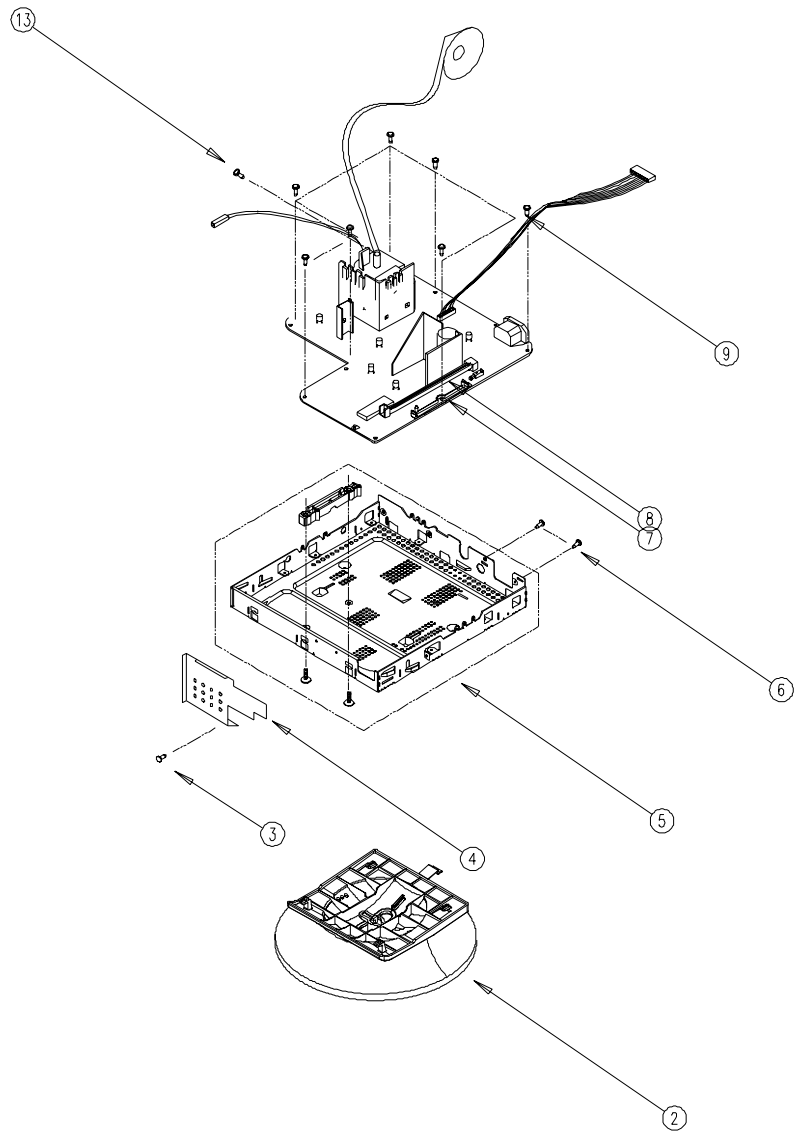
6-1-1 Front Cover & CRT Ass'y (PN15VT/HT)

NO	DESCRIPTION	CODE-NO(PN15VT)	SPECIFICATION	Q'TY	REMARK
1	UNIT/COVER-FRONT	BH75-00257A	ABS V0 IV16	1	SA
12	SCREW-ASS'Y TAPTITE	6006-001010	BH,D5,L25	4	SNA
14	SCREW/TAPTITE	6003-000010	BWH,M3,L10	2	SNA
15	UNIT/SHIELD-VIDEO	BH75-00277A	SPTC T0.2	1	SNA
16	VIDEO PCB	BN71-00108A	PN15VT	1	SNA
17	SHIELD/VIDEO-CAP	BH71-00108A	SPTC T0.2	1	SNA



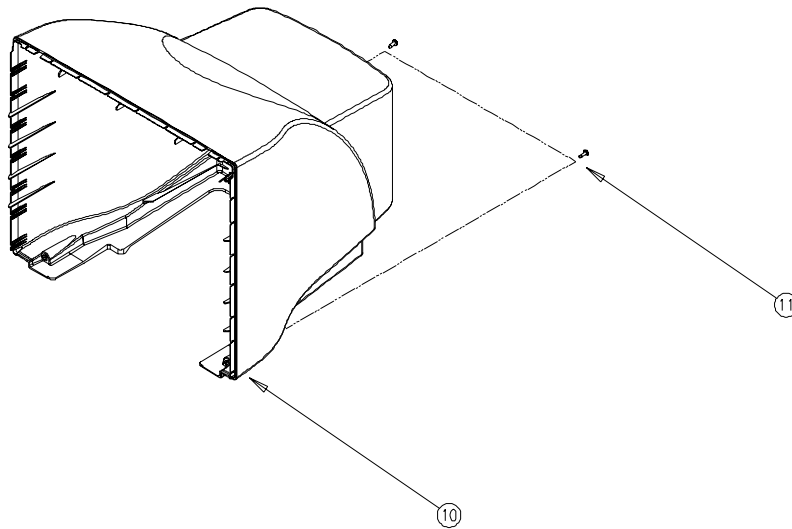
6-1-2 Chassis & Stand Ass'y (PN15VT/HT)

NO	DESCRIPTION	CODE-NO(PN15VT)	SPECIFICATION	Q'TY	REMARK
2	STAND/ASS'Y	BH75-00274A	ABS HB IV16	1	SA
3	SCREW/TAPTITE	6003-000010	BWH,M3,L10	1	SNA
4	SHEET/LMF	BH72-00299A	AL-F01L T0.04+PET	1	SNA
5	UNIT/SHIELD-BOTTOM	BH75-00275A	SECC T1.0	1	SNA
6	SCREW/TAPTITE	6003-000010	BWH,M3,L10	1	SNA
7	GUIDE/POWER	BH72-00025A	ABS PC 5V IV16	1	SNA
8	SHAFT/POWER	BH72-00026A	ABS PC 5V IV16	1	SNA
9	SCREW/TAPTITE	6003-000010	BWH,M3,L10	7	SNA
13	SCREW/TAPTITE	6003-000122	BH,M4,L12	1	SNA



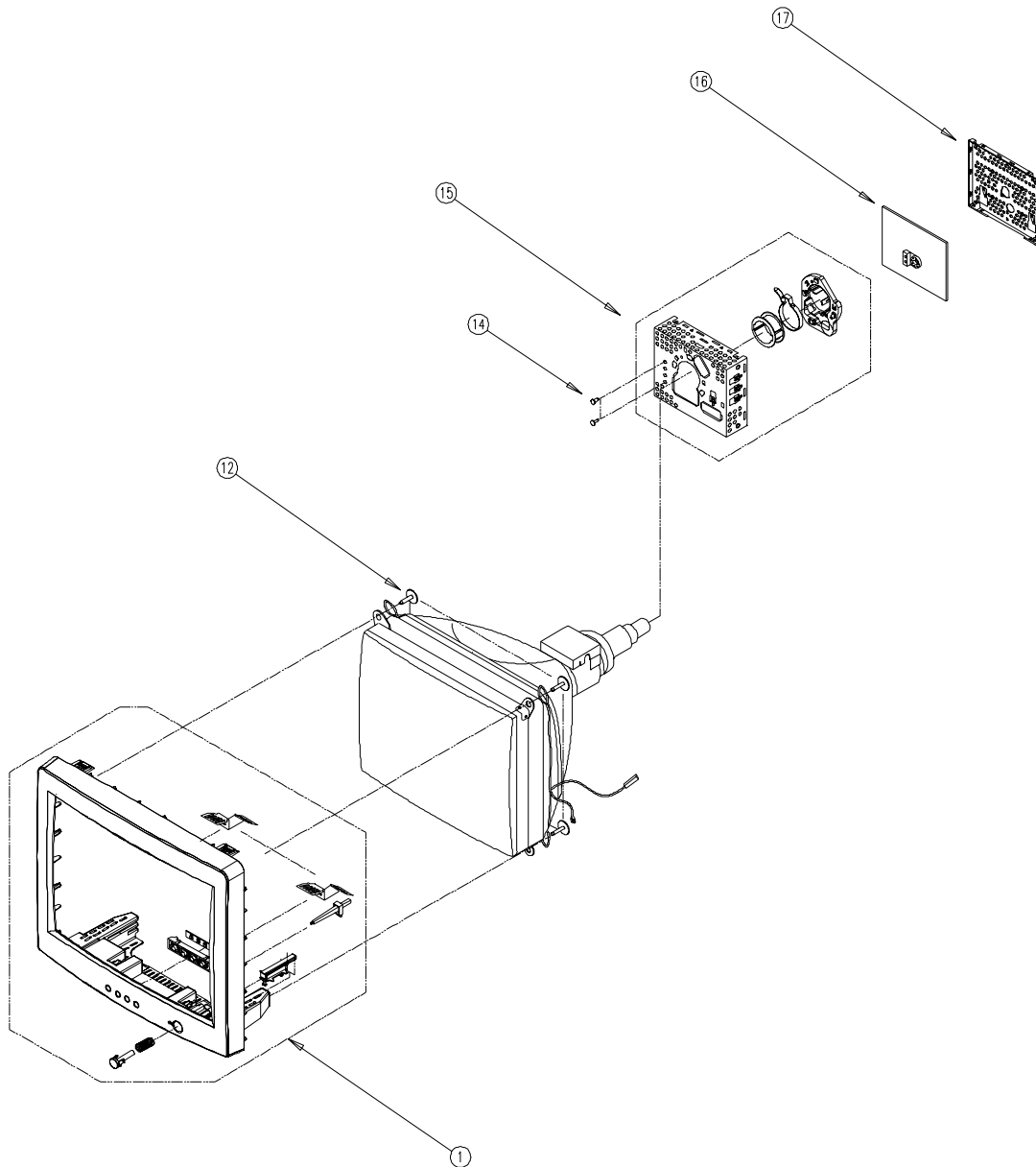
6-1-3 Rear Cover Ass'y (PN15VT/HT)

NO	DESCRIPTION	CODE-NO(PN15VT)	SPECIFICATION	Q'TY	REMARK
1 0	COVER/REAR	BH72-00274A	ABS V0 1V16	1	SA
1 1	SCREW/TAPTITE	6003-000009	BH, M4, L16	2	SNA



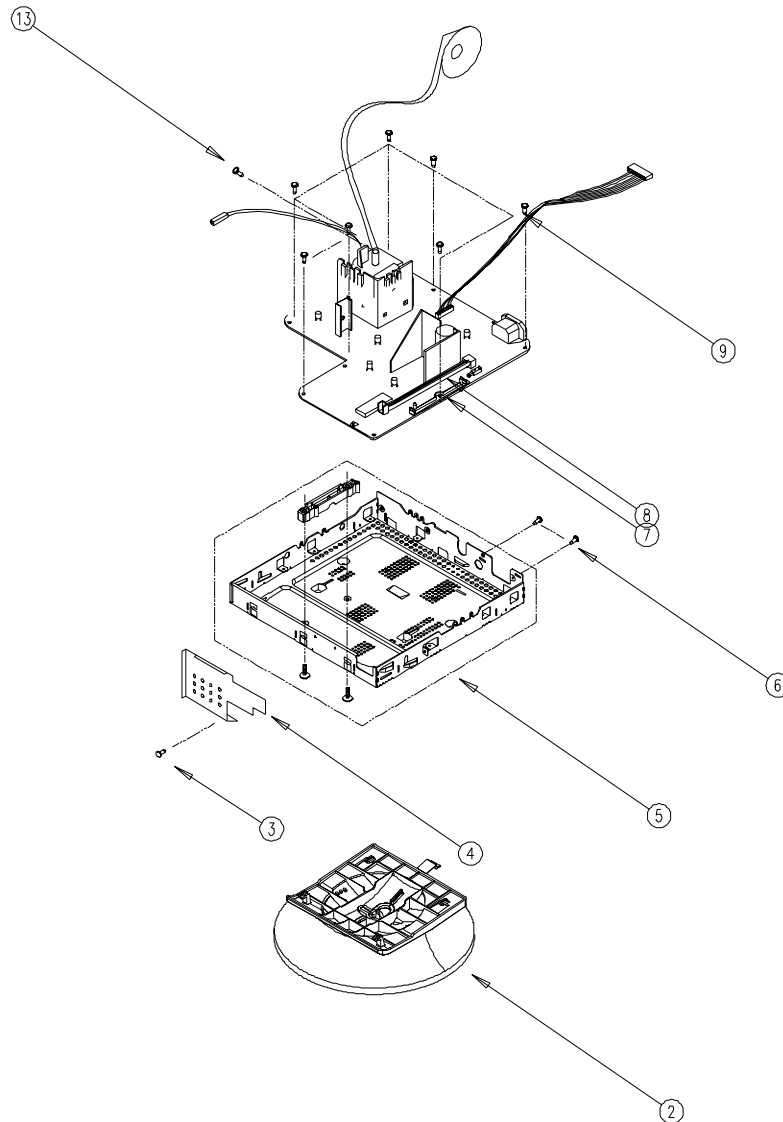
6-2-1 Front Cover & CRT Ass'y (PN15V0/HO)

NO	DESCRIPTION	CODE-NO(PN15V0)	SPECIFICATION	Q'TY	REMARK
1	UNIT/COVER-FRONT	BH75-00258A	ABS V0 1V16	1	SA
12	SCREW-ASS'Y TAPTITE	6006-001010	BH, D5, L25	4	SNA
14	SCREW/TAPTITE	6003-000010	BWH, M3, L10	2	SNA
15	UNIT/SHIELD-VIDEO	BH75-00277A	SPTC T0.2	1	SNA
16	VIDEO PCB	BN71-00108A	PN15V0	1	SNA
17	SHIELD/VIDEO-CAP	BH71-00108A	SPIE T0.2	1	SNA



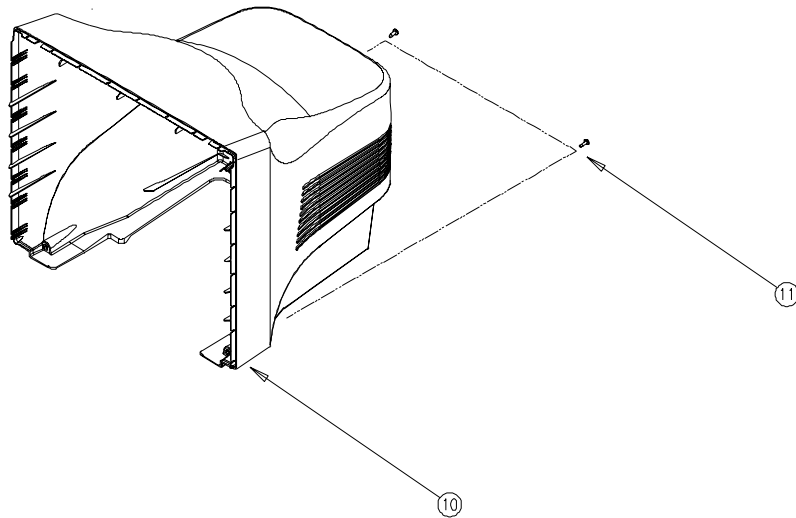
6-2-2 Chassis & Stand Ass'y (PN15VO/HO)

NO	DESCRIPTION	CODE-NO(PN15VO)	SPECIFICATION	Q'TY	REMARK
2	STAND/ASS'Y	BH75-00274A	ABS HB IV16	1	SA
3	SCREW/TAPTITE	6003-000010	BWH,M3,L10	1	SNA
4	SHEET/LMF	BH72-00299A	AL-F01L T0.04+PET	1	SNA
5	UNIT/SHIELD-BOTTOM	BH75-00275A	SECC T1.0	1	SNA
6	SCREW/TAPTITE	6003-000010	BWH,M3,L10	1	SNA
7	GUIDE/POWER	BH72-00025A	ABS PC 5V IV16	1	SNA
8	SHAFT/POWER	BH72-00026A	ABS PC 5V IV16	1	SNA
9	SCREW/TAPTITE	6003-000010	BWH,M3,L10	7	SNA
13	SCREW/TAPTITE	6003-000122	BH,M4,L12	1	SNA



6-2-3 Rear Cover Ass'y (PN15V0/H0)

NO	DESCRIPTION	CODE-NO(PN15V0)	SPECIFICATION	q'TY	REMARK
10	COVER/REAR	BH72-00284A	ABS V0 1V16	1	SA
11	SCREW/TAPTITE	6003-000009	BH,M4,L16	2	SNA



7 Electrical Parts List

7-1 Main PCB Parts (PN15VT/VO)

Loc. No.	Code No.	Description	Specification	Remarks
15_NOR	3704-001014	SOCKET-CRT	12P,22.5PI,26.5PI,SN	
C403	2202-002149	C-CERAMIC,MLC-RADIAL	0.82NF,2%,50V,NPO,TP,5.1X3.2X6.4MM,5	
C409	2306-000249	C-FILM,MPPF	680nF,5%,250V,TP,26x20.5x12,20	
C601	2301-001195	C-FILM,MPPF	150nF,10%,275VAC,BK,26x16.5x7,	
C602	2301-001195	C-FILM,MPPF	150nF,10%,275VAC,BK,26x16.5x7,	
C608	2401-003367	C-AL	180uF,20%,400V,GP,BK,25x35mm,1	
CIS	3301-000233	CORE-FERRITE	ZZ,18x9.5x28mm,-,-	SNA
CIS	BH68-00001A	LABEL/MARK-CDT	ART-PAPER 100G,-,WHT,BLK,-,ALL,CDT	SNA
CIS	BH71-00108A	SHIELD-VIDEO/CAP	PN15VT,SPT,E,TO.2,-,-,-	SNA
CIS	BH72-00025A	GUIDE-POWER	CDA4507,ABS+PC,5V,IV16,-,-	SNA
CIS	BH72-00026A	SHAFT-POWER	CDA4507,ABS+PC,5V,IV16,-,-	SNA
CIS	BH72-00299A	SHEET-LMF(LOW)	PN17LT,AL+PC TO.35,-,-,-,-,-	SNA
CIS	BH73-60304C	RUBBER-SUPPORT	DP15LT,CR V0,GRAY,-,14*7*10,-,-	SNA
CIS	BH75-00275A	UNIT-SHIELD/BOTTOM	PN17LT,-,SECC,-,-,-,T1.0	SNA
CIS	6003-000103	SCREW-TAPTITE	BH,+ ,B,M2.6,L10,ZPC(YEL),SWRCH	SNA
CIS	BH71-00110A	SHIELD-BOTTOM	PN15VT,SECC,-,T1.0,-,-,-	SNA
CIS	BH72-00297A	SUPPORT-PCB	PN15VT,ABS VO,IV16,-,-,-,-,-	SNA
CIS	BH75-00277A	UNIT-SHIELD/VIDEO	PN17LT,-,SPT,E,-,-,-,TO.2	SNA
CIS	BH61-00002A	SPRING-VIDEO	CDB7907,STS H14,-,T1.0,-,-,-,NORMAL CDT	SNA
CIS	BH71-00107A	SHIELD-VIDEO	PN15VT,SPT,E,TO.2,-,-,-	SNA
CIS	BH72-00024A	HOLDER-VIDEO	CDA4507,ABS+PC,5V,IV16,-,NORMAL CRT	SNA
CIS	BH73-00014A	HOLDER-RUBBER(NORMAL)	DEL,SILICON V2,GRAY,-,-,-,NORMAL	SNA
CIS	BH46-00002S	MICOM-S/VV,PN15VO	PN15VO(PHOEINX),-,-,-,-,-	SNA
CN_DY	3711-003989	CONNECTOR-HEADER	NOWALL,4P,1R,8mm,STRAIGHT,SN	SNA
CN101	3711-004228	CONNECTOR-HEADER	BOX,6P,1R,2MM,ANGLE,SN	SNA
CN102	BH39-00296A	CBF HARNESS	PN15V,UL1007,UL/CSA,13P/14P,280MM,BLU/WHT,AWG26,SMH200-13,YBNH200-14,-,-,-,-,-	
CN201	3711-003895	CONNECTOR-HEADER	BOX,13P,1R,2mm,STRAIGHT,SN	SNA
CN202	3711-003873	CONNECTOR-HEADER	BOX,7P,1R,2mm,STRAIGHT,SN	SNA
CN203	BH39-00288A	CBF HARNESS	PN17L0,UL1007,UL/CSA,2P/2P,130MM,BLU/WHT,AWG26,YBNH200,SMP250,-,-,-,-,-,CBF-CO	SNA
CN502	3711-000024	CONNECTOR-HEADER	BOX,3P,1R,2.5mm,STRAIGHT,SN	SNA
CN502_WIRE	BH39-00149A	CBF-HARNESS	3P,150MM,BLK,UL1007,AWG22,SMH250-03	
CN601	3721-001028	PLUG-AC POWER	3P,-,-,NI	SNA
D406	0402-001025	DIODE-RECTIFIER	ERD07-15,1.5KV,1.5A,-,TP	△
D409	0402-001295	DIODE-RECTIFIER	GUR460L-5700,600V,4A,DO-201AD,BK	
D601	0402-000103	DIODE-BRIDGE	D2SBA60,600V,1.5A,SIP-4,ST	
D608	0402-001194	DIODE-RECTIFIER	UG2D,200V,2A,DO-204AC,TP	
D609	0402-000016	DIODE-RECTIFIER	UF5404,400V,3A,DO-201AD,TP	
FBT+H/S	6003-000122	SCREW-TAPTITE	BH,+ ,B,M4,L12,ZPC(YEL),SWRCH18	SNA
FUSE	3601-000004	FUSE-CARTRIDGE	250V,3.15A,SLOW-BLOW,CERAMIC,5x20mm	
HS301_CLAMP_1	6502-000001	CABLE CLAMP	DAWH-5NB,D15,L35,NTR,NYLON66	SNA
HS301_CLAMP_2	6502-000001	CABLE CLAMP	DAWH-5NB,D15,L35,NTR,NYLON66	SNA
IC101	1201-001703	IC-VIDEO AMP	1269,DIP,24P,-,-,10dB,PLASTIC,5.25V,2.4W,0to+70C,-,-,-,-,-,ST	△
IC201	0903-001194	IC-MICROCONTROLLER	3P863,8Bit,SDIP,42P,600MIL,12MHz,ST,CMOS,PLASTIC,5V,-,-,40to+85C,1040BYTE,48KBYTE	SNA
IC201_SOCKET	3704-001071	SOCKET-IC	42P,DIP,SN,1.778mm	
IC202	1103-000156	IC-EEPROM	24C04,512x8BIT,DIP,8P,300MIL,1	
IC401	1204-001781	IC-DEF. PROCESSOR	TDA9115,SDIP,32P,300MIL,PLASTIC,12V,-,0to+70C,ST,-	
JW1	BH39-40306C	CBF-HARNESS	,60MM,BLK,1015,AWG22,-,-,-,-,-	SNA
JW2	BH39-40306D	CBF-HARNESS	,80MM,BLK,1015,AWG22,-,-,-,-,-	SNA
JW4	BH39-40306D	CBF-HARNESS	,80MM,BLK,1015,AWG22,-,-,-,-,-	SNA
JW5	BH39-40305Y	CBF-HARNESS	,110MM,BLK,1015,AWG22,-,-,-,-,-	SNA
JW7	BH39-40306D	CBF-HARNESS	,80MM,BLK,1015,AWG22,-,-,-,-,-	SNA
L401	BH27-20345B	COIL-CHOKE		SNA
L402	BH27-20343Q	COIL-CHOKE	150UH,10%,DR14*20,BULK,-,-	
L404	BH27-20342U	COIL-CHOKE	-.8.2MH(250KHz),10%,DR8*11,-,-,-,-,-,10.5OHM,-,-,-,-,-,BULK	
L601	BH27-00007A	COIL-LINE FILTER	25MH MIN,-,SQE 2424,BULK,-,-	
OP201	0601-001147	LED	ROUND,GRN,4.75mm,565nm	SNA
RL601	3501-001111	RELAY-POWER	12Vdc,250mW,5A,1FormA,15mS,5mS	
SH/BTM+AC/SOCK	6003-000010	SCREW-TAPTITE	BWH,+ ,B,M3,L10,ZPC(YEL),SWRCH1	SNA
SH/BTM+GND	6003-000010	SCREW-TAPTITE	BWH,+ ,B,M3,L10,ZPC(YEL),SWRCH1	SNA
SH/BTM+PCB	6003-000010	SCREW-TAPTITE	BWH,+ ,B,M3,L10,ZPC(YEL),SWRCH1	SNA

7 Electrical Parts List

Loc. No.	Code No.	Description	Specification	Remarks
SH/BTM+SH/LMF	6003-000010	SCREW-TAPTITE	BWH,+B,M3,L10,ZPC(YEL),SWRCH1	SNA
SH/VID	6502-000001	CABLE CLAMP	DAWH-5NB,D15,L35,NTR,NYLON66	SNA
SH/VID	BH39-00150A	CBF-HARNESS	-,150MM,-,-,8*0.16TA*16,35750-1010	
SH/VID	BH39-00323A	CBF HARNESS	PN15LT,8*0.16TA*16,-,-,120MM,-,-,35068-9822,ST710095-3,-,-,-,-,-,-,-,-	
SH/VID+H/S	6003-000010	SCREW-TAPTITE	BWH,+B,M3,L10,ZPC(YEL),SWRCH1	SNA
SIGNAL	BH39-00282A	CBF SIGNAL	PN17LO,15P/06P.07P,20276,1500MM,UL20276,IVORY,D-SUB/MALE,-,-,-	
SW601	3403-001116	SWITCH-PUSH	30VDC,0.1A,2C2P,SELF LOCK,-	
T401	BH26-00027A	TRANS-HOR.DRIVE	35.0MH,-,EI 1916,PL-3,-,310UH,-	⚠
T402	BH27-00085A	COIL LINEARITY	HL-1415E,6.2uH,DR14*15(C:4.9 L-81),11.0+/-0.3,32.5MAX,7.5T,5P,BK,20%,0.05ohm MAX	
T501	BH26-00102A	TRANS FBT	FQM15A007,PN15VO.1.3mH,SM-19D,HV45,FUR3757SU,0.625ohm,145VDC,12P,-10 -60,BK,25.0	⚠
T601	BH26-00101A	TRANS POWER-(S/W),SLOT TYPE	ER-3538(SLOT),PN15VO.390uH/80.0/37.4/17.4,16P,-,-,-,-,-,-,-,PL3,DMR30,EER-3538,0.1	
T602	BH26-30302S	TRANS-SYNC.	3-1(250UH),-,-,SB-5S,UU1116,3-	
TH601	1404-000002	THERMISTOR-PTC	9ohm,20%,,-,TR,RECT,-	
TH602	1404-001020	THERMISTOR-NTC	8ohm,15%,,-,17mW/C,BK	
VIDEO_CLAMP_1	6502-000001	CABLE CLAMP	DAWH-5NB,D15,L35,NTR,NYLON66	SNA
BD101	3301-000011	CORE-FERRITE BEAD	AA,3.5x1.0x5.7mm,1500,2375G	SNA
BD102	3301-000011	CORE-FERRITE BEAD	AA,3.5x1.0x5.7mm,1500,2375G	SNA
BD199	3301-000011	CORE-FERRITE BEAD	AA,3.5x1.0x5.7mm,1500,2375G	SNA
BD301	3301-000011	CORE-FERRITE BEAD	AA,3.5x1.0x5.7mm,1500,2375G	SNA
BD406	3301-000011	CORE-FERRITE BEAD	AA,3.5x1.0x5.7mm,1500,2375G	SNA
BD407	3301-000011	CORE-FERRITE BEAD	AA,3.5x1.0x5.7mm,1500,2375G	SNA
BD408	3301-000011	CORE-FERRITE BEAD	AA,3.5x1.0x5.7mm,1500,2375G	SNA
BD409	3301-000011	CORE-FERRITE BEAD	AA,3.5x1.0x5.7mm,1500,2375G	SNA
BD410	3301-000011	CORE-FERRITE BEAD	AA,3.5x1.0x5.7mm,1500,2375G	SNA
BD601	3301-000011	CORE-FERRITE BEAD	AA,3.5x1.0x5.7mm,1500,2375G	SNA
BD602	3301-000011	CORE-FERRITE BEAD	AA,3.5x1.0x5.7mm,1500,2375G	SNA
BD603	3301-000011	CORE-FERRITE BEAD	AA,3.5x1.0x5.7mm,1500,2375G	SNA
C101	2201-000291	C-CERAMIC,DISC	1nF,10%,500V,Y5P,TP,7.5x3.5,5	
C102	2301-000148	C-FILM,PEF	10nF,5%,100V,TP,7x3.2x7mm,5mm	
C103	2301-000148	C-FILM,PEF	10nF,5%,100V,TP,7x3.2x7mm,5mm	
C104	2401-000025	C-AL	100uF,20%,16V,GP,TP,6.3x11,5	
C108	2401-000603	C-AL	1uF,20%,50V,GP,TP,5x11,5	
C109	2201-000119	C-CERAMIC,DISC	100nF,+80-20%,50V,Y5V,TP,8x3,5	
C110	2201-000119	C-CERAMIC,DISC	100nF,+80-20%,50V,Y5V,TP,8x3,5	
C111	2401-000025	C-AL	100uF,20%,16V,GP,TP,6.3x11,5	
C112	2301-000014	C-FILM,PEF	6.8nF,5%,100V,TP,5.8x12.5mm,5m	
C114	2301-000481	C-FILM,PEF	10nF,5%,100V,TP,6.5x3.4x12.5,5	
C116	2401-000025	C-AL	100uF,20%,16V,GP,TP,6.3x11,5	
C117	2202-002009	C-CERAMIC,MLC-AXIAL	100nF,+80-20%,50V,Y5V,TP,2.3X3	
C118	2401-000025	C-AL	100uF,20%,16V,GP,TP,6.3x11,5	
C119	2401-001459	C-AL	47uF,20%,100V,GP,TP,10x16.5,5	
C120	2201-000291	C-CERAMIC,DISC	1nF,10%,500V,Y5P,TP,7.5x3.5,5	
C121	2201-000285	C-CERAMIC,DISC	1nF,10%,1kV,Y5P,TP,8x5,5	
C122	2301-000010	C-FILM,PEF	100nF,5%,100V,TP,11.5x12.5mm,5	
C123	2202-002009	C-CERAMIC,MLC-AXIAL	100nF,+80-20%,50V,Y5V,TP,2.3X3	
C124	2301-000148	C-FILM,PEF	10nF,5%,100V,TP,7x3.2x7mm,5mm	
C130	2202-002009	C-CERAMIC,MLC-AXIAL	100nF,+80-20%,50V,Y5V,TP,2.3X3	
C131	2401-000025	C-AL	100uF,20%,16V,GP,TP,6.3x11,5	
C132	2201-000264	C-CERAMIC,DISC	0.18nF,5%,50V,NPO,TP,10x3.5,5	
C201	2401-000025	C-AL	100uF,20%,16V,GP,TP,6.3x11,5	
C202	2201-000389	C-CERAMIC,DISC	0.022nF,5%,50V,NPO,TP,5x3,5	
C203	2201-000389	C-CERAMIC,DISC	0.022nF,5%,50V,NPO,TP,5x3,5	
C207	2401-002075	C-AL	4.7uF,20%,50V,GP,TP,5x11,5	
C209	2401-002075	C-AL	4.7uF,20%,50V,GP,TP,5x11,5	
C211	2201-000146	C-CERAMIC,DISC	0.1nF,5%,50V,SL,TP,5x3.5,5	
C212	2201-000017	C-CERAMIC,DISC	1nF,10%,50V,Y5P,TP,5x3.5,5	
C213	2301-000010	C-FILM,PEF	100nF,5%,100V,TP,11.5x12.5mm,5	
C214	2401-000025	C-AL	100uF,20%,16V,GP,TP,6.3x11,5	
C215	2201-000146	C-CERAMIC,DISC	0.1nF,5%,50V,SL,TP,5x3.5,5	
C218	2301-000148	C-FILM,PEF	10nF,5%,100V,TP,7x3.2x7mm,5mm	
C219	2401-002075	C-AL	4.7uF,20%,50V,GP,TP,5x11,5	

Loc. No.	Code No.	Description	Specification	Remarks
C220	2401-002075	C-AL	4.7uF,20%,50V,GP,TP,5x11,5	
C301	2301-001049	C-FILM,MPEF	150nF,5%,100V,TP,10.5x5x14.5,5	
C302	2305-000412	C-FILM,MPEF	470nF,5%,63V,TP,-,5mm	
C303	2401-000031	C-AL	47uF,20%,16V,GP,TP,5x11,5	
C304	2301-000519	C-FILM,PEF	3.3nF,5%,100V,TP,5.8x3x12.5,5m	
C305	2401-000037	C-AL	470uF,20%,16V,GP,TP,8x11.5,5	
C306	2401-000856	C-AL	220uF,20%,35V,WT,TP,10x20,5	
C307	2305-000237	C-FILM,MPEF	1uF,5%,63V,TP,7.5x15.5mm,5mm	
C308	2301-000013	C-FILM,PEF	4.7nF,5%,100V,TP,10.5x12.5x6.5	
C309	2202-002009	C-CERAMIC,MLC-AXIAL	100nF,+80-20%,50V,Y5V,TP,2.3X3	
C401	2401-000031	C-AL	47uF,20%,16V,GP,TP,5x11,5	
C402	2201-000119	C-CERAMIC,DISC	100nF,+80-20%,50V,Y5V,TP,8x3,5	
C404	2301-000148	C-FILM,PEF	10nF,5%,100V,TP,7x3.2x7mm,5mm	
C406	2301-000188	C-FILM,PEF	1nF,5%,100V,TP,10.5x12.5x6.5,5	
C407	2401-000540	C-AL	150uF,20%,63V,LZ,TP,10x25,5	
C408	2201-000469	C-CERAMIC,DISC	0.33nF,10%,500V,Y5P,TP,5.5x3,5	
C410	2401-000025	C-AL	100uF,20%,16V,GP,TP,6.3x11,5	
C413	2401-001012	C-AL	3.3UF,20%,50V,BP,TP,16X25,7.5	
C414	2401-001340	C-AL	470nF,20%,50V,WT,TP,5x11,5	
C415	2401-001222	C-AL	4.7UF,20%,160V,WT,TP,8X11.5MM,5	
C416	2301-000010	C-FILM,PEF	100nF,5%,100V,TP,11.5x12.5mm,5	△
C419	2301-001306	C-FILM,PPF	2.5NF,3%,1.6KV,TP,21.5X15.5X8.5MM,7.5	△
C420	2301-001441	C-FILM,PPF	2nF,3%,1.6kV,TP,20x2.5x11mm,7.5	
C421	2303-001029	C-FILM,PPF	5.2nF,5%,630V,TP,19x7x13,7.5	
C426	2401-000603	C-AL	1uF,20%,50V,GP,TP,5x11,5	
C427	2306-000119	C-FILM,MPPF	100nF,5%,250V,TP,19x14.5x6.5,7	
C428	2401-000480	C-AL	10uF,20%,50V,GP,TP,5x11,5	
C429	2401-002075	C-AL	4.7uF,20%,50V,GP,TP,5x11,5	
C430	2306-000171	C-FILM,MPPF	270nF,5%,250V,TP,21.5x12.5mm,7	
C431	2306-000171	C-FILM,MPPF	270nF,5%,250V,TP,21.5x12.5mm,7	
C433	2305-001003	C-FILM,MPEF	10nF,5%,250V,TP,13x4.5x9mm,7.5	
C436	2201-002116	C-CERAMIC,DISC	0.82nF,10%,1kV,Y5P,TP,8x5mm,5	
C438	2401-000603	C-AL	1uF,20%,50V,GP,TP,5x11,5	
C439	2301-000148	C-FILM,PEF	10nF,5%,100V,TP,7x3.2x7mm,5mm	
C443	2301-000174	C-FILM,PEF	15nF,5%,100V,TP,7.2x4.0x7.5mm,	
C445	2401-000480	C-AL	10uF,20%,50V,GP,TP,5x11,5	
C446	2201-000132	C-CERAMIC,DISC	0.1nF,10%,500V,Y5P,TP,6.5x3,5	
C447	2201-000119	C-CERAMIC,DISC	100nF,+80-20%,50V,Y5V,TP,8x3,5	
C448	2201-000119	C-CERAMIC,DISC	100nF,+80-20%,50V,Y5V,TP,8x3,5	
C461	2401-002075	C-AL	4.7uF,20%,50V,GP,TP,5x11,5	
C462	2301-000148	C-FILM,PEF	10nF,5%,100V,TP,7x3.2x7mm,5mm	
C463	2401-001625	C-AL	6.8uF,20%,50V,GP,TP,5x11,5	
C501	2301-000016	C-FILM,PEF	22nF,5%,100V,TP,7.2x4.5x9.0mm,	
C503	2201-000119	C-CERAMIC,DISC	100nF,+80-20%,50V,Y5V,TP,8x3,5	
C505	2401-000059	C-AL	220nF,20%,50V,GP,-,5x11,5	
C509	2401-001222	C-AL	4.7UF,20%,160V,WT,TP,8X11.5MM,5	
C510	2301-000005	C-FILM,PEF	33nF,5%,100V,TP,5.8x12.5x3,5	
C541	2301-000004	C-FILM,PEF	2.2nF,5%,100V,TP,5.5X10X2.9,5m	
C542	2201-000017	C-CERAMIC,DISC	1nF,10%,50V,Y5P,TP,5x3,5,5	
C603	2201-000023	C-CERAMIC,DISC	2.2nF,20%,125V,Y5U,TP,11x7,5	
C604	2201-000023	C-CERAMIC,DISC	2.2nF,20%,125V,Y5U,TP,11x7,5	
C607	2202-002009	C-CERAMIC,MLC-AXIAL	100nF,+80-20%,50V,Y5V,TP,2.3X3	
C609	2401-000971	C-AL	22uF,20%,50V,WT,TP,6x11mm,5mm	
C610	2301-000284	C-FILM,PEF	47nF,5%,100V,TP,8.5x12.5mm,5mm	
C611	2401-000613	C-AL	1uF,20%,50V,WT,TP,5x11,5	
C612	2401-000613	C-AL	1uF,20%,50V,WT,TP,5x11,5	
C613	2201-000012	C-CERAMIC,DISC	0.22nF,10%,1kV,Y5P,TP,6.3x5,5	
C614	2201-000019	C-CERAMIC,DISC	10nF,+80-20%,500V,Y5V,TP,13.5x4mm,5	
C615	2201-000291	C-CERAMIC,DISC	1nF,10%,500V,Y5P,TP,7.5x3,5,5	
C616	2201-000023	C-CERAMIC,DISC	2.2nF,20%,125V,Y5U,TP,11x7,5	
C617	2201-000023	C-CERAMIC,DISC	2.2nF,20%,125V,Y5U,TP,11x7,5	

Loc. No.	Code No.	Description	Specification	Remarks
C618	2401-000039	C-AL	1000uF,20%,16V,GP,TP,10x16,5	
C619	2201-000469	C-CERAMIC,DISC	0.33nF,10%,500V,Y5P,TP,5.5x3,5	
C620	2401-000540	C-AL	150uF,20%,63V,LZ,TP,10x25,5	
C621	2401-001551	C-AL	47uF,20%,35V,GP,TP,6.3x11,5	
C622	2401-000151	C-AL	1000uF,20%,25V,GP,TP,10x20,5	
C623	2401-000039	C-AL	1000uF,20%,16V,GP,TP,10x16,5	
C626	2401-000025	C-AL	100uF,20%,16V,GP,TP,6.3x11,5	
C627	2401-000292	C-AL	100uF,20%,16V,WT,TP,8x11.5mm,5	
C629	2401-000292	C-AL	100uF,20%,16V,WT,TP,8x11.5mm,5	
C630	2401-001561	C-AL	47uF,20%,35V,WT,TP,8x11.5,5	
C631	2202-002009	C-CERAMIC,MLC-AXIAL	100nF,+80-20%,50V,Y5V,TP,2.3X3	△
C632	2201-000019	C-CERAMIC,DISC	10nF,+80-20%,500V,Y5V,TP,13.5x4mm,5	
C633	2401-000028	C-AL	10uF,20%,50V,GP,TP,5x11,5	
C634	2202-002008	C-CERAMIC,MLC-AXIAL	10nF,+80-20%,50V,Y5V,TP,2.3X3.	
C635	2401-000603	C-AL	1uF,20%,50V,GP,TP,5x11,5	
CB01	2202-002009	C-CERAMIC,MLC-AXIAL	100nF,+80-20%,50V,Y5V,TP,2.3X3	
CB02	2301-000010	C-FILM,PEF	100nF,5%,100V,TP,11.5x12.5mm,5	
CB03	2201-000119	C-CERAMIC,DISC	100nF,+80-20%,50V,Y5V,TP,8x3,5	
CB04	2305-000004	C-FILM,MPEF	220nF,10%,100V,TP,12.7x16,5mm	
CG01	2202-002009	C-CERAMIC,MLC-AXIAL	100nF,+80-20%,50V,Y5V,TP,2.3X3	
CG02	2301-000010	C-FILM,PEF	100nF,5%,100V,TP,11.5x12.5mm,5	
CG03	2201-000119	C-CERAMIC,DISC	100nF,+80-20%,50V,Y5V,TP,8x3,5	
CG04	2305-000004	C-FILM,MPEF	220nF,10%,100V,TP,12.7x16,5mm	
CN603	3711-000217	CONNECTOR-HEADER	1WALL,3P,1R,3.96mm,STRAIGHT,SN	SNA
CR01	2202-002009	C-CERAMIC,MLC-AXIAL	100nF,+80-20%,50V,Y5V,TP,2.3X3	
CR02	2301-000010	C-FILM,PEF	100nF,5%,100V,TP,11.5x12.5mm,5	
CR03	2201-000119	C-CERAMIC,DISC	100nF,+80-20%,50V,Y5V,TP,8x3,5	
CR04	2305-000004	C-FILM,MPEF	220nF,10%,100V,TP,12.7x16,5mm	
D102	0401-000005	DIODE-SWITCHING	1N4148,100V,200mA,DO-35,TP	
D103	0401-000005	DIODE-SWITCHING	1N4148,100V,200mA,DO-35,TP	
D211	0401-000005	DIODE-SWITCHING	1N4148,100V,200mA,DO-35,TP	
D212	0403-000361	DIODE-ZENER	UZ6.2BSB,6.2V,5.99-6.24V,500mW	
D213	0403-000361	DIODE-ZENER	UZ6.2BSB,6.2V,5.99-6.24V,500mW	
D301	0402-000274	DIODE-RECTIFIER	UF4004,400V,1A,DO-41,TP	
D302	0401-000005	DIODE-SWITCHING	1N4148,100V,200mA,DO-35,TP	
D401	0402-000274	DIODE-RECTIFIER	UF4004,400V,1A,DO-41,TP	
D403	0402-000006	DIODE-RECTIFIER	1N4007GP,1000V,1A,DO-41,TP	
D404	0402-000006	DIODE-RECTIFIER	1N4007GP,1000V,1A,DO-41,TP	
D405	0402-000274	DIODE-RECTIFIER	UF4004,400V,1A,DO-41,TP	
D410	0401-000005	DIODE-SWITCHING	1N4148,100V,200mA,DO-35,TP	
D411	0401-000005	DIODE-SWITCHING	1N4148,100V,200mA,DO-35,TP	
D412	0402-000546	DIODE-RECTIFIER	TVR10G,400V,1.0A,DO-41,TP	
D413	0402-000546	DIODE-RECTIFIER	TVR10G,400V,1.0A,DO-41,TP	
D420	0401-000005	DIODE-SWITCHING	1N4148,100V,200mA,DO-35,TP	
D421	0401-000004	DIODE-SWITCHING	1SS244,250V,625mA,DO-34,TP	
D422	0401-000005	DIODE-SWITCHING	1N4148,100V,200mA,DO-35,TP	
D501	0401-000005	DIODE-SWITCHING	1N4148,100V,200mA,DO-35,TP	
D504	0402-000546	DIODE-RECTIFIER	TVR10G,400V,1.0A,DO-41,TP	
D508	0401-000005	DIODE-SWITCHING	1N4148,100V,200mA,DO-35,TP	
D509	0401-000005	DIODE-SWITCHING	1N4148,100V,200mA,DO-35,TP	
D510	0401-000005	DIODE-SWITCHING	1N4148,100V,200mA,DO-35,TP	
D511	0401-000005	DIODE-SWITCHING	1N4148,100V,200mA,DO-35,TP	
D512	0401-000005	DIODE-SWITCHING	1N4148,100V,200mA,DO-35,TP	
D597	0401-000005	DIODE-SWITCHING	1N4148,100V,200mA,DO-35,TP	
D598	0401-000005	DIODE-SWITCHING	1N4148,100V,200mA,DO-35,TP	
D602	0401-000005	DIODE-SWITCHING	1N4148,100V,200mA,DO-35,TP	
D604	0402-000012	DIODE-RECTIFIER	UF4007,1KV,1A,DO-41,TP	
D605	0402-000012	DIODE-RECTIFIER	UF4007,1KV,1A,DO-41,TP	
D606	0402-000546	DIODE-RECTIFIER	TVR10G,400V,1.0A,DO-41,TP	
D607	0401-000005	DIODE-SWITCHING	1N4148,100V,200mA,DO-35,TP	
D610	0402-000012	DIODE-RECTIFIER	UF4007,1KV,1A,DO-41,TP	

Loc. No.	Code No.	Description	Specification	Remarks
D611	0402-001194	DIODE-RECTIFIER	UG2D,200V,2A,DO-204AC,TP	
D612	0402-000546	DIODE-RECTIFIER	TVR10G,400V,1.0A,DO-41,TP	
D614	0402-000546	DIODE-RECTIFIER	TVR10G,400V,1.0A,DO-41,TP	
D615	0401-000005	DIODE-SWITCHING	1N4148,100V,200mA,DO-35,TP	
D616	0401-000005	DIODE-SWITCHING	1N4148,100V,200mA,DO-35,TP	
D617	0401-000005	DIODE-SWITCHING	1N4148,100V,200mA,DO-35,TP	
D618	0401-000005	DIODE-SWITCHING	1N4148,100V,200mA,DO-35,TP	
DB01	0401-000005	DIODE-SWITCHING	1N4148,100V,200mA,DO-35,TP	
DB02	0401-000005	DIODE-SWITCHING	1N4148,100V,200mA,DO-35,TP	
DB03	0401-000004	DIODE-SWITCHING	1SS244,250V,625mA,DO-34,TP	
DB04	0401-000004	DIODE-SWITCHING	1SS244,250V,625mA,DO-34,TP	
DB05	0401-000005	DIODE-SWITCHING	1N4148,100V,200mA,DO-35,TP	
DG01	0401-000005	DIODE-SWITCHING	1N4148,100V,200mA,DO-35,TP	
DG02	0401-000005	DIODE-SWITCHING	1N4148,100V,200mA,DO-35,TP	
DG03	0401-000004	DIODE-SWITCHING	1SS244,250V,625mA,DO-34,TP	
DG04	0401-000004	DIODE-SWITCHING	1SS244,250V,625mA,DO-34,TP	
DG05	0401-000005	DIODE-SWITCHING	1N4148,100V,200mA,DO-35,TP	
DR01	0401-000005	DIODE-SWITCHING	1N4148,100V,200mA,DO-35,TP	
DR02	0401-000005	DIODE-SWITCHING	1N4148,100V,200mA,DO-35,TP	
DR03	0401-000004	DIODE-SWITCHING	1SS244,250V,625mA,DO-34,TP	
DR04	0401-000004	DIODE-SWITCHING	1SS244,250V,625mA,DO-34,TP	
DR05	0401-000005	DIODE-SWITCHING	1N4148,100V,200mA,DO-35,TP	
EY1	6042-000002	EYELET	ID1.5,OD2,L3.1,SN,BSS3-E/EH	SNA
EY2	6042-000001	EYELET	ID2.2,OD2.7,L3.1,SN,BSS3-E/EH	SNA
EY3	6042-000001	EYELET	ID2.2,OD2.7,L3.1,SN,BSS3-E/EH	SNA
EY301	6042-000001	EYELET	ID2.2,OD2.7,L3.1,SN,BSS3-E/EH	SNA
EY302	6042-000001	EYELET	ID2.2,OD2.7,L3.1,SN,BSS3-E/EH	SNA
EY4	6042-000002	EYELET	ID1.5,OD2,L3.1,SN,BSS3-E/EH	SNA
EY401	6042-000002	EYELET	ID1.5,OD2,L3.1,SN,BSS3-E/EH	SNA
EY410	6042-000002	EYELET	ID1.5,OD2,L3.1,SN,BSS3-E/EH	SNA
EY411	6042-000002	EYELET	ID1.5,OD2,L3.1,SN,BSS3-E/EH	SNA
EY444	6042-000002	EYELET	ID1.5,OD2,L3.1,SN,BSS3-E/EH	SNA
EY445	6042-000002	EYELET	ID1.5,OD2,L3.1,SN,BSS3-E/EH	SNA
EY501	6042-000001	EYELET	ID2.2,OD2.7,L3.1,SN,BSS3-E/EH	SNA
EY502	6042-000001	EYELET	ID2.2,OD2.7,L3.1,SN,BSS3-E/EH	SNA
EY503	6042-000001	EYELET	ID2.2,OD2.7,L3.1,SN,BSS3-E/EH	SNA
EY504	6042-000002	EYELET	ID1.5,OD2,L3.1,SN,BSS3-E/EH	SNA
EY505	6042-000002	EYELET	ID1.5,OD2,L3.1,SN,BSS3-E/EH	SNA
EY506	6042-000002	EYELET	ID1.5,OD2,L3.1,SN,BSS3-E/EH	SNA
EY507	6042-000002	EYELET	ID1.5,OD2,L3.1,SN,BSS3-E/EH	SNA
EY508	6042-000002	EYELET	ID1.5,OD2,L3.1,SN,BSS3-E/EH	SNA
EY601	6042-000001	EYELET	ID2.2,OD2.7,L3.1,SN,BSS3-E/EH	SNA
EY602	6042-000001	EYELET	ID2.2,OD2.7,L3.1,SN,BSS3-E/EH	SNA
EY603	6042-000001	EYELET	ID2.2,OD2.7,L3.1,SN,BSS3-E/EH	SNA
EY604	6042-000001	EYELET	ID2.2,OD2.7,L3.1,SN,BSS3-E/EH	SNA
EY605	6042-000001	EYELET	ID2.2,OD2.7,L3.1,SN,BSS3-E/EH	SNA
EY606	6042-000001	EYELET	ID2.2,OD2.7,L3.1,SN,BSS3-E/EH	SNA
EY607	6042-000002	EYELET	ID1.5,OD2,L3.1,SN,BSS3-E/EH	SNA
EY608	6042-000002	EYELET	ID1.5,OD2,L3.1,SN,BSS3-E/EH	SNA
EY609	6042-000002	EYELET	ID1.5,OD2,L3.1,SN,BSS3-E/EH	SNA
EY610	6042-000002	EYELET	ID1.5,OD2,L3.1,SN,BSS3-E/EH	SNA
FH1	3602-000001	FUSE-CLIP	-, -,30mohm	SNA
G2	BH71-40300A	PIN-HINGE	-,BRASS,D2.36,SN,HEAT/SINK	SNA
GND	BH71-40300A	PIN-HINGE	-,BRASS,D2.36,SN,HEAT/SINK	SNA
GT603	BH71-40300A	PIN-HINGE	-,BRASS,D2.36,SN,HEAT/SINK	SNA
GT604	BH71-40300A	PIN-HINGE	-,BRASS,D2.36,SN,HEAT/SINK	SNA
IC102	BH13-00022A	IC-BIAS CLAMP	LM2480NA,PN15H/17L,8P,0to+70C,DIP,3mA,85V,ST	
IC104	BH09-00023A	IC-OSD PROCESSOR	DT15L,NT6827-00021,16P,-	
J1	BH39-40305U	CBF HARNESS	52MM,AWG22(0.6PI),-, -,AWG22(0.	SNA
J11	BH39-40305U	CBF HARNESS	52MM,AWG22(0.6PI),-, -,AWG22(0.	SNA
J2	BH39-40305U	CBF HARNESS	52MM,AWG22(0.6PI),-, -,AWG22(0.	SNA

Loc. No.	Code No.	Description	Specification	Remarks
JP47	BH39-40305U	CBF HARNESS	52MM,AWG22(0.6PI),-,-,AWG22(0.	SNA
JP51	BH39-40305U	CBF HARNESS	52MM,AWG22(0.6PI),-,-,AWG22(0.	SNA
JP52	BH39-40305U	CBF HARNESS	52MM,AWG22(0.6PI),-,-,AWG22(0.	SNA
JP53	BH39-40305U	CBF HARNESS	52MM,AWG22(0.6PI),-,-,AWG22(0.	SNA
JP56	BH39-40305U	CBF HARNESS	52MM,AWG22(0.6PI),-,-,AWG22(0.	SNA
JP57	BH39-40305U	CBF HARNESS	52MM,AWG22(0.6PI),-,-,AWG22(0.	SNA
JP58	BH39-40305U	CBF HARNESS	52MM,AWG22(0.6PI),-,-,AWG22(0.	SNA
JP6	BH39-40305U	CBF HARNESS	52MM,AWG22(0.6PI),-,-,AWG22(0.	SNA
JP62	BH39-40305U	CBF HARNESS	52MM,AWG22(0.6PI),-,-,AWG22(0.	SNA
JP63	BH39-40305U	CBF HARNESS	52MM,AWG22(0.6PI),-,-,AWG22(0.	SNA
JP64	BH39-40305U	CBF HARNESS	52MM,AWG22(0.6PI),-,-,AWG22(0.	SNA
JP65	BH39-40305U	CBF HARNESS	52MM,AWG22(0.6PI),-,-,AWG22(0.	SNA
JP66	BH39-40305U	CBF HARNESS	52MM,AWG22(0.6PI),-,-,AWG22(0.	SNA
JP67	BH39-40305U	CBF HARNESS	52MM,AWG22(0.6PI),-,-,AWG22(0.	SNA
JP68	BH39-40305U	CBF HARNESS	52MM,AWG22(0.6PI),-,-,AWG22(0.	SNA
JP7	BH39-40305U	CBF HARNESS	52MM,AWG22(0.6PI),-,-,AWG22(0.	SNA
JP70	BH39-40305U	CBF HARNESS	52MM,AWG22(0.6PI),-,-,AWG22(0.	SNA
JP75	BH39-40305U	CBF HARNESS	52MM,AWG22(0.6PI),-,-,AWG22(0.	SNA
JP76	BH39-40305U	CBF HARNESS	52MM,AWG22(0.6PI),-,-,AWG22(0.	SNA
JP77	BH39-40305U	CBF HARNESS	52MM,AWG22(0.6PI),-,-,AWG22(0.	SNA
JP78	BH39-40305U	CBF HARNESS	52MM,AWG22(0.6PI),-,-,AWG22(0.	SNA
JP80	BH39-40305U	CBF HARNESS	52MM,AWG22(0.6PI),-,-,AWG22(0.	SNA
JP81	BH39-40305U	CBF HARNESS	52MM,AWG22(0.6PI),-,-,AWG22(0.	SNA
JP82	BH39-40305U	CBF HARNESS	52MM,AWG22(0.6PI),-,-,AWG22(0.	SNA
JP83	BH39-40305U	CBF HARNESS	52MM,AWG22(0.6PI),-,-,AWG22(0.	SNA
JP84	BH39-40305U	CBF HARNESS	52MM,AWG22(0.6PI),-,-,AWG22(0.	SNA
JP86	BH39-40305U	CBF HARNESS	52MM,AWG22(0.6PI),-,-,AWG22(0.	SNA
JP87	BH39-40305U	CBF HARNESS	52MM,AWG22(0.6PI),-,-,AWG22(0.	SNA
JP88	BH39-40305U	CBF HARNESS	52MM,AWG22(0.6PI),-,-,AWG22(0.	SNA
JP94	BH39-40305U	CBF HARNESS	52MM,AWG22(0.6PI),-,-,AWG22(0.	SNA
JP95	BH39-40305U	CBF HARNESS	52MM,AWG22(0.6PI),-,-,AWG22(0.	SNA
JP96	BH39-40305U	CBF HARNESS	52MM,AWG22(0.6PI),-,-,AWG22(0.	SNA
JP97	BH39-40305U	CBF HARNESS	52MM,AWG22(0.6PI),-,-,AWG22(0.	SNA
LB02	2701-000319	INDUCTOR-AXIAL	470nH,20%,3x7mm	
LG02	2701-000319	INDUCTOR-AXIAL	470nH,20%,3x7mm	
LR02	2701-000319	INDUCTOR-AXIAL	470nH,20%,3x7mm	
MP1.0	BH41-00130A	PCB MAIN	PN15VT,FR1,1,-,1.6T,247*247,-,-,-	SNA
Q101	0501-000404	TR-SMALL SIGNAL	KSD1616-Y,NPN,750mW,TO-92,TP,135-270	
Q401	0501-000303	TR-SMALL SIGNAL	KSA733,PNP,250mW,TO-92,TP,120-240	
Q403	0501-000586	TR-SMALL SIGNAL	KSC945,NPN,250mW,TO-92,TP,120-240	
Q405	0501-000303	TR-SMALL SIGNAL	KSA733,PNP,250mW,TO-92,TP,120-240	
Q406	0501-000303	TR-SMALL SIGNAL	KSA733,PNP,250mW,TO-92,TP,120-240	
Q407	0501-000140	TR-SMALL SIGNAL	2N5551,NPN,625mW,TO-92,TP,80-250	
Q415	0501-000586	TR-SMALL SIGNAL	KSC945,NPN,250mW,TO-92,TP,120-240	
Q416	0501-000586	TR-SMALL SIGNAL	KSC945,NPN,250mW,TO-92,TP,120-240	
Q417	0501-000586	TR-SMALL SIGNAL	KSC945,NPN,250mW,TO-92,TP,120-240	
Q418	0501-000372	TR-SMALL SIGNAL	KSC2383-Y,NPN,900000mW,TO-92L,TP,160-320	
Q499	0501-000303	TR-SMALL SIGNAL	KSA733,PNP,250mW,TO-92,TP,120-240	
Q501	0501-000586	TR-SMALL SIGNAL	KSC945,NPN,250mW,TO-92,TP,120-240	
Q502	0501-000143	TR-SMALL SIGNAL	2N6520,PNP,625mW,TO-92,TP,30-200	
Q601	0501-000586	TR-SMALL SIGNAL	KSC945,NPN,250mW,TO-92,TP,120-240	
Q602	0501-000122	TR-SMALL SIGNAL	2N3904,NPN,625mW,TO-92,TP,100-300	
Q604	0501-000404	TR-SMALL SIGNAL	KSD1616-Y,NPN,750mW,TO-92,TP,135-270	
Q608	0501-000010	TR-SMALL SIGNAL	KSC1008,NPN,800mW,TO-92,TP,120-240	
Q609	0501-002228	TR-SMALL SIGNAL	KTA1281,PNP,1000mW,TO-92L,TP,120-240	
Q610	0501-000586	TR-SMALL SIGNAL	KSC945,NPN,250mW,TO-92,TP,120-240	
Q611	0501-002228	TR-SMALL SIGNAL	KTA1281,PNP,1000mW,TO-92L,TP,120-240	
Q612	0501-000586	TR-SMALL SIGNAL	KSC945,NPN,250mW,TO-92,TP,120-240	
R101	2001-001138	R-CARBON(S)	390OHM,5%,1/2W,AA,TP,2.4X6.4MM	
R102	2001-000429	R-CARBON	1KOHM,5%,1/8W,AA,TP,1.8X3.2MM	
R104	2001-000319	R-CARBON	120KOHM,5%,1/8W,AA,TP,1.8X3.2MM	

7 Electrical Parts List

Loc. No.	Code No.	Description	Specification	Remarks
R106	2001-000522	R-CARBON	22KOHM,5%,1/8W,AA,TP,1.8X3.2MM	
R107	2001-000281	R-CARBON	100OHM,5%,1/8W,AA,TP,1.8X3.2MM	
R108	2001-000281	R-CARBON	100OHM,5%,1/8W,AA,TP,1.8X3.2MM	
R109	2001-000734	R-CARBON	4.7KOHM,5%,1/8W,AA,TP,1.8X3.2MM	
R110	2001-000812	R-CARBON	5.6KOHM,5%,1/8W,AA,TP,1.8X3.2MM	
R111	2001-000331	R-CARBON	12KOHM,5%,1/8W,AA,TP,1.8X3.2MM	
R112	2001-000435	R-CARBON	1MOHM,5%,1/8W,AA,TP,1.8X3.2MM	
R113	2001-000290	R-CARBON	10KOHM,5%,1/8W,AA,TP,1.8X3.2MM	
R114	2001-000290	R-CARBON	10KOHM,5%,1/8W,AA,TP,1.8X3.2MM	
R118	2001-000734	R-CARBON	4.7KOHM,5%,1/8W,AA,TP,1.8X3.2MM	
R119	2001-000003	R-CARBON	330ohm,5%,1/8W,AA,TP,1.8x3.2mm	
R120	2001-000429	R-CARBON	1KOHM,5%,1/8W,AA,TP,1.8X3.2MM	
R121	2001-001138	R-CARBON(S)	390OHM,5%,1/2W,AA,TP,2.4X6.4MM	
R130	2001-000290	R-CARBON	10KOHM,5%,1/8W,AA,TP,1.8X3.2MM	
R131	2001-000290	R-CARBON	10KOHM,5%,1/8W,AA,TP,1.8X3.2MM	
R134	2001-000429	R-CARBON	1KOHM,5%,1/8W,AA,TP,1.8X3.2MM	
R135	2001-000290	R-CARBON	10KOHM,5%,1/8W,AA,TP,1.8X3.2MM	
R136	2001-000241	R-CARBON	1.5KOHM,5%,1/8W,AA,TP,1.8X3.2MM	
R200	2001-000869	R-CARBON	56OHM,5%,1/8W,AA,TP,1.8X3.2MM	
R201	2001-000812	R-CARBON	5.6KOHM,5%,1/8W,AA,TP,1.8X3.2MM	
R202	2001-000290	R-CARBON	10KOHM,5%,1/8W,AA,TP,1.8X3.2MM	
R203	2001-000008	R-CARBON	15KOHM,5%,1/8W,AA,TP,1.8X3.2MM	
R204	2001-000008	R-CARBON	15KOHM,5%,1/8W,AA,TP,1.8X3.2MM	
R206	2001-000008	R-CARBON	15KOHM,5%,1/8W,AA,TP,1.8X3.2MM	
R207	2001-000869	R-CARBON	56OHM,5%,1/8W,AA,TP,1.8X3.2MM	
R208	2001-000869	R-CARBON	56OHM,5%,1/8W,AA,TP,1.8X3.2MM	
R212	2001-000008	R-CARBON	15KOHM,5%,1/8W,AA,TP,1.8X3.2MM	
R213	2001-000429	R-CARBON	1KOHM,5%,1/8W,AA,TP,1.8X3.2MM	
R214	2001-000429	R-CARBON	1KOHM,5%,1/8W,AA,TP,1.8X3.2MM	
R215	2001-000281	R-CARBON	100OHM,5%,1/8W,AA,TP,1.8X3.2MM	
R216	2001-000281	R-CARBON	100OHM,5%,1/8W,AA,TP,1.8X3.2MM	
R217	2001-000281	R-CARBON	100OHM,5%,1/8W,AA,TP,1.8X3.2MM	
R218	2001-000281	R-CARBON	100OHM,5%,1/8W,AA,TP,1.8X3.2MM	
R219	2001-000290	R-CARBON	10KOHM,5%,1/8W,AA,TP,1.8X3.2MM	
R220	2001-000281	R-CARBON	100OHM,5%,1/8W,AA,TP,1.8X3.2MM	
R221	2001-000734	R-CARBON	4.7KOHM,5%,1/8W,AA,TP,1.8X3.2MM	
R222	2001-000734	R-CARBON	4.7KOHM,5%,1/8W,AA,TP,1.8X3.2MM	
R223	2001-000005	R-CARBON	390ohm,5%,1/8W,AA,TP,1.8x3.2mm	
R224	2001-000869	R-CARBON	56OHM,5%,1/8W,AA,TP,1.8X3.2MM	
R225	2001-000869	R-CARBON	56OHM,5%,1/8W,AA,TP,1.8X3.2MM	
R229	2001-000281	R-CARBON	100OHM,5%,1/8W,AA,TP,1.8X3.2MM	
R230	2001-000290	R-CARBON	10KOHM,5%,1/8W,AA,TP,1.8X3.2MM	
R236	2001-000290	R-CARBON	10KOHM,5%,1/8W,AA,TP,1.8X3.2MM	
R237	2001-000429	R-CARBON	1KOHM,5%,1/8W,AA,TP,1.8X3.2MM	
R238	2001-000290	R-CARBON	10KOHM,5%,1/8W,AA,TP,1.8X3.2MM	
R239	2001-000290	R-CARBON	10KOHM,5%,1/8W,AA,TP,1.8X3.2MM	
R240	2001-000221	R-CARBON	1.2KOHM,5%,1/8W,AA,TP,1.8X3.2MM	
R241	2001-000290	R-CARBON	10KOHM,5%,1/8W,AA,TP,1.8X3.2MM	
R301	2001-000734	R-CARBON	4.7KOHM,5%,1/8W,AA,TP,1.8X3.2MM	
R304	2004-000344	R-METAL	15Kohm,1%,1/4W,AA,TP,2.4x6.4mm	
R306	2004-000899	R-METAL	4.7Kohm,1%,1/4W,AA,TP,2.4x6.4m	
R307	2001-001048	R-CARBON(S)	1.2OHM,5%,1/2W,AA,TP,2.4X6.4MM	
R308	2001-000118	R-CARBON(S)	180OHM,5%,1/2W,AA,TP,2.4X6.4MM	
R309	2004-005002	R-METAL	1.2ohm,2%,1/2W,AA,TP,3.3x9.0mm	
R310	2004-001022	R-METAL	5.6Kohm,1%,1/4W,AA,TP,2.4x6.4m	
R311	2004-001040	R-METAL	50Kohm,1%,1/4W,AA,TP,2.4x6.4mm	
R315	2004-005002	R-METAL	1.2ohm,2%,1/2W,AA,TP,3.3x9.0mm	
R316	2001-000812	R-CARBON	5.6KOHM,5%,1/8W,AA,TP,1.8X3.2MM	
R327	2001-000689	R-CARBON	390KOHM,5%,1/8W,AA,TP,1.8X3.2MM	
R328	2001-000273	R-CARBON	100KOHM,5%,1/8W,AA,TP,1.8X3.2MM	

Loc. No.	Code No.	Description	Specification	Remarks
R340	2001-000908	R-CARBON	62KOHM,5%,1/8W,AA,TP,1.8X3.2MM	
R402	2001-000429	R-CARBON	1KOHM,5%,1/8W,AA,TP,1.8X3.2MM	
R404	2004-001022	R-METAL	5.6Kohm,1%,1/4W,AA,TP,2.4x6.4mm	
R405	2001-000006	R-CARBON	2.4KOHM,5%,1/8W,AA,TP,1.8X3.2MM	
R406	2001-000522	R-CARBON	22KOHM,5%,1/8W,AA,TP,1.8X3.2MM	
R410	2003-000008	R-METAL OXIDE(S)	100ohm,5%,1W,AA,TP,3.3x9mm	
R412	2001-000429	R-CARBON	1KOHM,5%,1/8W,AA,TP,1.8X3.2MM	△
R413	2005-000401	R-WIRE WOUND,NON	0.47ohm,5%,2W,AA,TP,4.7x13.8mm	△
R415	2003-000432	R-METAL OXIDE(S)	1.5Kohm,5%,3W,AA,TP,6x16mm	△
R416	2001-000107	R-CARBON(S)	150KOHM,5%,1/2W,AA,TP,2.4X6.4MM	
R418	2001-000613	R-CARBON	3.9KOHM,5%,1/8W,AA,TP,1.8X3.2MM	
R419	2001-000397	R-CARBON	180KOHM,5%,1/8W,AA,TP,1.8X3.2MM	
R420	2001-000354	R-CARBON	150KOHM,5%,1/4W,AA,TP,2.4X6.4MM	
R423	2001-000591	R-CARBON	3.3KOHM,5%,1/8W,AA,TP,1.8X3.2MM	
R424	2004-000412	R-METAL	18Kohm,1%,1/4W,AA,TP,2.4x6.4mm	
R425	2001-000429	R-CARBON	1KOHM,5%,1/8W,AA,TP,1.8X3.2MM	
R426	2001-000110	R-CARBON	100HM,5%,1/4W,AA,TP,2.4X6.4MM	
R427	2001-000429	R-CARBON	1KOHM,5%,1/8W,AA,TP,1.8X3.2MM	
R428	2003-000653	R-METAL OXIDE(S)	330ohm,5%,3W,AA,TP,6x16mm	
R429	2001-000773	R-CARBON	470KOHM,5%,1/8W,AA,TP,1.8X3.2MM	
R430	2001-001078	R-CARBON(S)	15KOHM,5%,1/2W,AA,TP,2.4X6.4MM	
R431	2003-000438	R-METAL OXIDE(S)	1.5ohm,5%,3W,AA,TP,6x16mm	
R432	2001-000020	R-CARBON(S)	220HM,5%,1/2W,AA,TP,2.4X6.4MM	
R436	2001-000449	R-CARBON	2.2KOHM,5%,1/8W,AA,TP,1.8X3.2MM	
R437	2001-000786	R-CARBON	47KOHM,5%,1/8W,AA,TP,1.8X3.2MM	
R438	2001-000449	R-CARBON	2.2KOHM,5%,1/8W,AA,TP,1.8X3.2MM	
R439	2001-000786	R-CARBON	47KOHM,5%,1/8W,AA,TP,1.8X3.2MM	
R443	2003-000650	R-METAL OXIDE(S)	330ohm,5%,2W,AA,TP,4x12mm	
R450	2001-000319	R-CARBON	120KOHM,5%,1/8W,AA,TP,1.8X3.2MM	△
R452	2001-000290	R-CARBON	10KOHM,5%,1/8W,AA,TP,1.8X3.2MM	
R453	2001-000290	R-CARBON	10KOHM,5%,1/8W,AA,TP,1.8X3.2MM	
R455	2001-000786	R-CARBON	47KOHM,5%,1/8W,AA,TP,1.8X3.2MM	
R456	2001-000508	R-CARBON	220KOHM,5%,1/8W,AA,TP,1.8X3.2MM	
R457	2001-000211	R-CARBON	10HM,5%,1/4W,AA,TP,2.4X6.4MM	
R458	2001-001006	R-CARBON	820HM,5%,1/8W,AA,TP,1.8X3.2MM	
R459	2001-001178	R-CARBON(S)	680OHM,5%,1/2W,AA,TP,2.4X6.4MM	
R460	2001-001045	R-CARBON(S)	1.2KOHM,5%,1/2W,AA,TP,2.4X6.4MM	
R461	2001-000337	R-CARBON	130KOHM,5%,1/8W,AA,TP,1.8X3.2MM	
R462	2001-000456	R-CARBON	2.20HM,5%,1/4W,AA,TP,2.4X6.4MM	
R470	2001-000290	R-CARBON	10KOHM,5%,1/8W,AA,TP,1.8X3.2MM	
R480	2001-000660	R-CARBON	33KOHM,5%,1/8W,AA,TP,1.8X3.2MM	
R481	2001-000522	R-CARBON	22KOHM,5%,1/8W,AA,TP,1.8X3.2MM	
R500	2001-000435	R-CARBON	1MOHM,5%,1/8W,AA,TP,1.8X3.2MM	
R501	2001-000472	R-CARBON	2.7KOHM,5%,1/8W,AA,TP,1.8X3.2MM	
R502	2004-000947	R-METAL	43Kohm,1%,1/4W,AA,TP,2.4x6.4mm	
R504	2001-000008	R-CARBON	15KOHM,5%,1/8W,AA,TP,1.8X3.2MM	△
R505	2004-000679	R-METAL	2Kohm,1%,1/4W,AA,TP,2.4x6.4mm	△
R506	2004-000310	R-METAL	13Kohm,1%,1/4W,AA,TP,2.4x6.4mm	△
R507	2004-000216	R-METAL	10Kohm,1%,1/4W,AA,TP,2.4x6.4mm	△
R510	2001-000273	R-CARBON	100KOHM,5%,1/8W,AA,TP,1.8X3.2MM	△
R511	2001-000211	R-CARBON	10HM,5%,1/4W,AA,TP,2.4X6.4MM	△
R514	2001-000066	R-CARBON(S)	10KOHM,5%,1/2W,AA,TP,2.4X6.4MM	
R516	2001-001108	R-CARBON(S)	22KOHM,5%,1/2W,AA,TP,2.4X6.4MM	
R518	2001-001108	R-CARBON(S)	22KOHM,5%,1/2W,AA,TP,2.4X6.4MM	
R520	2001-000241	R-CARBON	1.5KOHM,5%,1/8W,AA,TP,1.8X3.2MM	
R524	2001-000660	R-CARBON	33KOHM,5%,1/8W,AA,TP,1.8X3.2MM	
R525	2001-000273	R-CARBON	100KOHM,5%,1/8W,AA,TP,1.8X3.2MM	
R526	2001-000273	R-CARBON	100KOHM,5%,1/8W,AA,TP,1.8X3.2MM	
R529	2001-000429	R-CARBON	1KOHM,5%,1/8W,AA,TP,1.8X3.2MM	△
R530	2001-000273	R-CARBON	100KOHM,5%,1/8W,AA,TP,1.8X3.2MM	
R531	2001-000786	R-CARBON	47KOHM,5%,1/8W,AA,TP,1.8X3.2MM	

7 Electrical Parts List

Loc. No.	Code No.	Description	Specification	Remarks
R600	2001-001129	R-CARBON(S)	330KOHM,5%,1/2W,AA,TP,2.4X6.4MM	
R601	2001-001129	R-CARBON(S)	330KOHM,5%,1/2W,AA,TP,2.4X6.4MM	
R602	2001-000023	R-CARBON	47OHM,5%,1/4W,AA,TP,2.4X6.4MM	
R603	2001-000290	R-CARBON	10KOHM,5%,1/8W,AA,TP,1.8X3.2MM	
R604	2001-000857	R-CARBON	560OHM,5%,1/8W,AA,TP,1.8X3.2MM	
R605	2001-000734	R-CARBON	4.7KOHM,5%,1/8W,AA,TP,1.8X3.2MM	
R606	2003-000014	R-METAL OXIDE(S)	10Kohm,5%,3W,AA,TP,6x16mm	
R608	2001-000281	R-CARBON	100OHM,5%,1/8W,AA,TP,1.8X3.2MM	
R609	2002-001056	R-COMPOSITION	180Kohm,2%,1/4W,AA,TP,2.5x6.5mm	
R610	2002-001056	R-COMPOSITION	180Kohm,2%,1/4W,AA,TP,2.5x6.5mm	
R611	2001-001079	R-CARBON(S)	150HM,5%,1/2W,AA,TP,2.4X6.4MM	
R612	2003-000738	R-METAL OXIDE(S)	56Kohm,5%,2W,AA,TP,4x12mm	
R614	2001-001107	R-CARBON(S)	220ohm,5%,1/2W,AA,TP,2.4x6.4mm	
R615	2001-001088	R-CARBON(S)	1KOHM,5%,1/2W,AA,TP,2.4X6.4MM	
R617	2001-001037	R-CARBON(S)	0.39OHM,5%,1/2W,AA,TP,2.4X6.4MM	
R618	2001-000429	R-CARBON	1KOHM,5%,1/8W,AA,TP,1.8X3.2MM	
R619	2003-000471	R-METAL OXIDE(S)	10ohm,5%,2W,AA,TP,4x12mm	
R621	2001-000071	R-CARBON	22KOHM,5%,1/4W,AA,TP,2.4X6.4MM	
R622	2001-000016	R-CARBON(S)	1OHM,5%,1/2W,AA,TP,2.4X6.4MM	
R625	2001-000037	R-CARBON(S)	330OHM,5%,1/2W,AA,TP,2.4X6.4MM	
R630	2001-000786	R-CARBON	47KOHM,5%,1/8W,AA,TP,1.8X3.2MM	
R631	2001-001088	R-CARBON(S)	1KOHM,5%,1/2W,AA,TP,2.4X6.4MM	
R632	2001-000290	R-CARBON	10KOHM,5%,1/8W,AA,TP,1.8X3.2MM	
R633	2001-000016	R-CARBON(S)	1OHM,5%,1/2W,AA,TP,2.4X6.4MM	
R634	2001-000290	R-CARBON	10KOHM,5%,1/8W,AA,TP,1.8X3.2MM	
R660	2001-000290	R-CARBON	10KOHM,5%,1/8W,AA,TP,1.8X3.2MM	
R661	2001-000527	R-CARBON	22OHM,5%,1/8W,AA,TP,1.8X3.2MM	
R663	2001-000211	R-CARBON	1OHM,5%,1/4W,AA,TP,2.4X6.4MM	
R664	2001-000281	R-CARBON	100OHM,5%,1/8W,AA,TP,1.8X3.2MM	
R668	2001-000290	R-CARBON	10KOHM,5%,1/8W,AA,TP,1.8X3.2MM	
R669	2001-000290	R-CARBON	10KOHM,5%,1/8W,AA,TP,1.8X3.2MM	
RB01	2001-000969	R-CARBON	75OHM,5%,1/8W,AA,TP,1.8X3.2MM	
RB02	2001-000666	R-CARBON	33OHM,5%,1/8W,AA,TP,1.8X3.2MM	
RB04	2001-000003	R-CARBON	330ohm,5%,1/8W,AA,TP,1.8x3.2mm	
RB05	2001-000645	R-CARBON	330KOHM,5%,1/8W,AA,TP,1.8X3.2MM	
RB06	2001-000449	R-CARBON	2.2KOHM,5%,1/8W,AA,TP,1.8X3.2MM	
RB07	2001-000705	R-CARBON	39OHM,5%,1/2W,AA,TP,3.3X9MM	
RB08	2001-000027	R-CARBON	100OHM,5%,1/4W,AA,TP,2.4X6.4MM	
RB09	2001-000290	R-CARBON	10KOHM,5%,1/8W,AA,TP,1.8X3.2MM	
RG01	2001-000969	R-CARBON	75OHM,5%,1/8W,AA,TP,1.8X3.2MM	
RG02	2001-000666	R-CARBON	33OHM,5%,1/8W,AA,TP,1.8X3.2MM	
RG04	2001-000003	R-CARBON	330ohm,5%,1/8W,AA,TP,1.8x3.2mm	
RG05	2001-000645	R-CARBON	330KOHM,5%,1/8W,AA,TP,1.8X3.2MM	
RG06	2001-000449	R-CARBON	2.2KOHM,5%,1/8W,AA,TP,1.8X3.2MM	
RG07	2001-000705	R-CARBON	39OHM,5%,1/2W,AA,TP,3.3X9MM	
RG08	2001-000027	R-CARBON	100OHM,5%,1/4W,AA,TP,2.4X6.4MM	
RG09	2001-000290	R-CARBON	10KOHM,5%,1/8W,AA,TP,1.8X3.2MM	
RR01	2001-000969	R-CARBON	75OHM,5%,1/8W,AA,TP,1.8X3.2MM	
RR02	2001-000666	R-CARBON	33OHM,5%,1/8W,AA,TP,1.8X3.2MM	
RR04	2001-000003	R-CARBON	330ohm,5%,1/8W,AA,TP,1.8x3.2mm	
RR05	2001-000645	R-CARBON	330KOHM,5%,1/8W,AA,TP,1.8X3.2MM	
RR06	2001-000449	R-CARBON	2.2KOHM,5%,1/8W,AA,TP,1.8X3.2MM	
RR07	2001-000705	R-CARBON	39OHM,5%,1/2W,AA,TP,3.3X9MM	
RR08	2001-000027	R-CARBON	100OHM,5%,1/4W,AA,TP,2.4X6.4MM	
RR09	2001-000290	R-CARBON	10KOHM,5%,1/8W,AA,TP,1.8X3.2MM	
SK101	1405-001064	SURGE ABSORBER	400V,20%,-,AXIAL	
SK102	4715-000001	SURGE ABSORBER	1KV,+50-10%,-,-	
SKB01	4715-000102	SURGE ABSORBER	200V,20%,1000A,-,RADIAL	SNA
SKG01	4715-000102	SURGE ABSORBER	200V,20%,1000A,-,RADIAL	SNA
SKR01	4715-000102	SURGE ABSORBER	200V,20%,1000A,-,RADIAL	SNA
TP501	6042-000002	EYELET	ID1.5,OD2,L3.1,SN,BSS3-E/EH	SNA

Loc. No.	Code No.	Description	Specification	Remarks
VR401	2103-000493	VR-SEMI	5Kohm,30%,1/10W,SIDE	
X201	2801-000005	CRYSTAL-UNIT	8MHz,50ppm,28-AAM,S,35ohm,TP	
ZD101	0403-000509	DIODE-ZENER	MTZJ5.6B,5.6V,5.45-5.73V,500mW	
ZD103	0403-000007	DIODE-ZENER	UZ6.2BSB,5.99-6.24V,500mW,DO-34,TP	
ZD104	0403-000007	DIODE-ZENER	UZ6.2BSB,5.99-6.24V,500mW,DO-34,TP	
ZD107	0403-000509	DIODE-ZENER	MTZJ5.6B,5.6V,5.45-5.73V,500mW	
ZD201	0403-000355	DIODE-ZENER	UZ5.1BSB,5.1V,4.97-5.18V,500mW	
ZD202	0403-000355	DIODE-ZENER	UZ5.1BSB,5.1V,4.97-5.18V,500mW	
ZD203	0403-000355	DIODE-ZENER	UZ5.1BSB,5.1V,4.97-5.18V,500mW	
ZD204	0403-000355	DIODE-ZENER	UZ5.1BSB,5.1V,4.97-5.18V,500mW	
ZD205	0403-000361	DIODE-ZENER	UZ6.2BSB,6.2V,5.99-6.24V,500mW	
ZD210	0403-000361	DIODE-ZENER	UZ6.2BSB,6.2V,5.99-6.24V,500mW	
ZD211	0403-000337	DIODE-ZENER	UZ24BH,24V,24.2-25.7V,500mW,DO	
ZD301	2202-002008	C-CERAMIC,MLC-AXIAL	10nF,+80-20%,50V,Y5V,TP,2.3X3.	
ZD501	0403-000355	DIODE-ZENER	UZ5.1BSB,5.1V,4.97-5.18V,500mW	
ZD601	0403-000361	DIODE-ZENER	UZ6.2BSB,6.2V,5.99-6.24V,500mW	
ZD602	0403-000509	DIODE-ZENER	MTZJ5.6B,5.6V,5.45-5.73V,500mW	
ZD603	0403-000361	DIODE-ZENER	UZ6.2BSB,6.2V,5.99-6.24V,500mW	
ZD604	0403-000361	DIODE-ZENER	UZ6.2BSB,6.2V,5.99-6.24V,500mW	
HS301	BH99-00002A	ASSY,HEAT/SINK	H/S V.IC,SCREW+NUT,KA2142,-,-,OIL SILICON,-,-	SNA
CIS	1204-001508	IC-VERTICAL DEF.	KA2142,SIP,10P,-,PLASTIC,35V,15W,-20TO+70C,ST,VERTICAL DEFLECTION	
CIS	6006-001008	SCREW-ASS'Y MACH	WSP,BH,+ ,M3,L10,ZPC(YEL),SWRCH	SNA
CIS	6021-000118	NUT-HEXAGON	1C,M3,ZPC(YEL),SM20C	SNA
CIS	BH62-00003A	HEAT/SINK-V.IC	- ,T1,- ,A1050S,DA/DB	SNA
HS601	BH99-00003A	ASSY,HEAT/SINK	H/S POWER,SPRING,DP104,-,-,RUBBER,-,-	SNA
CIS	BH13-00004A	IC-HYBRID	- ,DP104C,TO-220-5L,5P,POWER SWITCH,-,-	
CIS	BH61-00004A	SPRING-TR	CDA,CDB,SUS304,T0.5,-,-,-,-	SNA
CIS	BH62-00004A	HEAT/SINK-POWER	- ,T1,- ,A1050S,DA/DB	SNA
CIS	BH62-20001B	RUBBER	CSQ4357,W25*120*TO.45,-,-,-,-	SNA
HS103	BH99-00004J	ASSY HEAT/SINK	HS VIDEO,SCREW+NUT,LM2469TA,-,-,OIL SILICON	SNA
CIS	6006-001008	SCREW-ASS'Y MACH	WSP,BH,+ ,M3,L10,ZPC(YEL),SWRCH	SNA
CIS	6021-000118	NUT-HEXAGON	1C,M3,ZPC(YEL),SM20C	SNA
CIS	BH13-00021A	IC HYBRID	LM2469TA,PN15V,9P,-,20to+115C,TO-220-9L,8mA,85V,ST	
CIS	BH62-00006A	HEAT SINK-VIDEO	- ,A1050S T2.0,-,DB	SNA
HS402	BH99-00005A	ASSY,HEAT/SINK	H/S,SCREW+NUT,IRF630,-,-,OIL SILICON,-,-	SNA
CIS	BH61-00004A	SPRING-TR	CDA,CDB,SUS304,T0.5,-,-,-,-	SNA
CIS	BH62-00008A	HEAT SINK-TR	- ,SPC-1 L20*H45*T1,- ,CDB	SNA
HS401	BH99-00006A	ASSY,HEAT/SINK	H/S,SCREW+NUT,IRF630,-,-,OIL SILICON,-,-	SNA
CIS	6006-001008	SCREW-ASS'Y MACH	WSP,BH,+ ,M3,L10,ZPC(YEL),SWRCH	SNA
CIS	6021-000118	NUT-HEXAGON	1C,M3,ZPC(YEL),SM20C	SNA
CIS	BH62-30024A	HEAT/SINK-TR	SPC,T1,SN,CFX1577L	SNA
HS501	BH99-00024G	ASSY HEAT/SINK	H/S FBT,SPRING,KA5802,DTV32F,KTD2058,OIL SILICON	SNA
CIS	0402-001414	DIODE-RECTIFIER	DTV32F,1500V,10A,TO-263AB,ST	
CIS	0502-000465	TR-POWER	KTD2058,NPN,25000mW,TO-220IS,ST,100-200	
CIS	0502-001129	TR-POWER	KSC5802,NPN,70000mW,TO-3PF,ST,20-40	
CIS	BH61-00004A	SPRING-TR	CDA,CDB,SUS304,T0.5,-,-,-,-	SNA
CIS	BH61-70003A	SPRING	CVT4857,STS304-W1/2H,T0.5,W3.8	SNA
CIS	BH62-00015A	HEAT SINK-FBT	A1050S,T1.0,T1.0,-,-	SNA

7-2 Others (PN15VT/VO)

Loc. No.	Code No.	Description	Specification	Remarks
CRT	BH03-10014A	CRT-SN	15,0.28,M36KUM35X02,MS-GUN,0.33/6.0/0.77/7.5	
PBA UNIT	BH94-00224A	ASSY PCB	PN15VO-05B1/8786,-,-,-	
B/D ASS'Y CODE	BH98-00204A	ASSY PCB/MAIN	PN15VO-05B1/8786,-,-,-	
MAGNET	3302-000006	MAGNET-RUBBER	AF,14G,1620-1980G,0.58-0.9MGOe	
DEGAUSSING	BH27-00092A	COIL DEGAUSSING-ASS'Y	310*215*1020mm,PN15V,PN15V*,6.9mH,±æ10%,85Ts,9.08V,-,15,90-265VAC,-,21.58Y,310*	
S/CABLE	BH39-00282A	CBF SIGNAL	PN17LO,15P/06P.07P,20276,1500MM,UL20276,IVORY,D-SUB/MALE,-,-,-	
P/CORD	BH39-10007A	CBF POWER CORD	DET,250V/6A,H05VV-F,LP-34A/KKP	

7-3 Main PCB Parts (PN15HT/HO)

Loc. No.	Code No.	Description	Specification	Remarks
C409	2306-000147	C-FILM,MPPF	1uF,5%,250V,BK,26x24x15,22.5mm	
C430	2306-000147	C-FILM,MPPF	1uF,5%,250V,BK,26x24x15,22.5mm	
C512	2201-000020	C-CERAMIC,DISC	10nF,10%,1kV,Y5P,BK,18x5,10	
C601	2301-001195	C-FILM,MPPF	150nF,10%,275VAC,BK,26x16.5x7,	
C602	2301-001195	C-FILM,MPPF	150nF,10%,275VAC,BK,26x16.5x7,	
C608	2401-003367	C-AL	180uF,20%,400V,GP,BK,25x35mm,1	
CIS	BH68-00001A	LABEL/MARK-CDT	ART-PAPER 100G,-,WHT,BLK,-,ALL,CDT	SNA
CIS	BH71-00108A	SHIELD-VIDEO/CAP	PN15VT,SPT,E,T0.2,-,-,-	SNA
CIS	BH72-00025A	GUIDE-POWER	CDA4507,ABS+PC,5V,IV16,-,-	SNA
CIS	BH72-00026A	SHAFT-POWER	CDA4507,ABS+PC,5V,IV16,-,-	SNA
CIS	BH72-00299A	SHEET-LMF(LOW)	PN17LT,AL+PC T0.35,-,-,-,-,-	SNA
CIS	BH73-60304C	RUBBER-SUPPORT	DP15LT,CR V0,GRAY,-,14*7*10,-,-	SNA
CIS	BH75-00275A	UNIT-SHIELD/BOTTOM	PN17LT,-,SECC,-,-,-,,-,T1.0	SNA
CIS	6003-000103	SCREW-TAPTITE	BH,+ ,B,M2.6,L10,ZPC(YEL),SWRCH	SNA
CIS	BH71-00110A	SHIELD-BOTTOM	PN15VT,SECC ,T1.0,-,-,-	SNA
CIS	BH72-00297A	SUPPORT-PCB	PN15VT,ABS VO,IV16,-,-,-,-,-	SNA
CIS	BH75-00277B	UNIT-SHIELD/VIDEO	PN15HT,-,SPT,E,-,-,-,,-,T0.2	SNA
CIS	BH46-00002T	MICOM-S/W,PN15HO	PN15HO(PHOEINX)-,-,-,-,-,-,-	SNA
CN_DY	3711-003989	CONNECTOR-HEADER	NOWALL,4P,1R,8mm,STRAIGHT,SN	SNA
CN101	3711-004228	CONNECTOR-HEADER	BOX,6P,1R,2MM,ANGLE,SN	SNA
CN102	BH39-00296A	CBF HARNESS	PN15V,UL1007,UL/CSA,13P/14P,280MM,BLU/WHT,AWG26,SMH200-13,YBNH200-14,-,-,-,-,-	
CN201	3711-003895	CONNECTOR-HEADER	BOX,13P,1R,2mm,STRAIGHT,SN	SNA
CN202	3711-003873	CONNECTOR-HEADER	BOX,7P,1R,2mm,STRAIGHT,SN	SNA
CN203	BH39-00288A	CBF HARNESS	PN17L0,UL1007,UL/CSA,2P/2P,130MM,BLU/WHT,AWG26,YBNH200,SMP250,-,-,-,-,-,CBF-CO	SNA
CN502	3711-000024	CONNECTOR-HEADER	BOX,3P,1R,2.5mm,STRAIGHT,SN	SNA
CN502_WIRE	BH39-00149A	CBF-HARNESS	3P,150MM,BLK,UL1007,AWG22,SMH250-03	
CN601	BH39-00157A	CBF-HARNESS	-,100MM,G/Y,UL1015,AWG18,DAC-14SL1/YPT018L	
D406	0402-001025	DIODE-RECTIFIER	ERD07-15,1.5KV,1.5A,-,TP	△
D409	0402-001295	DIODE-RECTIFIER	GUR460L-5700,600V,4A,DO-201AD,BK	
D601	0402-000103	DIODE-BRIDGE	D2SBA60,600V,1.5A,SIP-4,ST	
D608	0402-001194	DIODE-RECTIFIER	UG2D,200V,2A,DO-204AC,TP	
D609	0402-000016	DIODE-RECTIFIER	UF5404,400V,3A,DO-201AD,TP	
FBT+H/S	6003-000122	SCREW-TAPTITE	BH,+ ,B,M4,L12,ZPC(YEL),SWRCH18	SNA
FUSE	3601-000004	FUSE-CARTRIDGE	250V,3.15A,SLOW-BLOW,CERAMIC,5x20mm	
G2_WIRE	BH39-00232A	CBF-HARNESS	DP17MO,UL1032,UL/CSA,1P,290MM,RED,AWG22,YHF800-1,-,-,-,-,-,CBF-CONN ASS'Y	SNA
HS301_CLAMP_1	6502-000001	CABLE CLAMP	DAWH-5NB,D15,L35,NTR,NYLON66	SNA
HS301_CLAMP_2	6502-000001	CABLE CLAMP	DAWH-5NB,D15,L35,NTR,NYLON66	SNA
IC101	1201-001702	IC-VIDEO AMP	1267,DIP,24P,-,-,10dB,PLASTIC,5.25V,2.4W,0to+70C,-,-,-,-,-,ST	△
IC201	0903-001194	IC-MICROCONTROLLER	3P863,8Bit,SDIP,42P,600MIL,12MHz,ST,CMOS,PLASTIC,5V,-,-,40to+85C,1040BYTE,48KBYTE	SNA
IC201 SOCK	3704-001071	SOCKET-IC	42P,DIP,SN,1.778mm	
IC202	1103-000156	IC-EEPROM	24C04,512x8BIT,DIP,8P,300MIL,1	
IC401	1204-001724	IC-DEF. PROCESSOR	TDA9113,DIP,32P,400MIL,PLASTIC,13.2V,-,0to+70C,ST,DEFLECTION PROCESSOR	
JW2	BH39-40305Y	CBF-HARNESS	,110MM,BLK,1015,AWG22,-,-,-,-,-	SNA
JW3	BH39-40306D	CBF-HARNESS	,80MM,BLK,1015,AWG22,-,-,-,-,-	SNA
JW4	BH39-40306D	CBF-HARNESS	,80MM,BLK,1015,AWG22,-,-,-,-,-	SNA
JW5	BH39-40305Y	CBF-HARNESS	,110MM,BLK,1015,AWG22,-,-,-,-,-	SNA
JW6	BH39-40305Y	CBF-HARNESS	,110MM,BLK,1015,AWG22,-,-,-,-,-	SNA
L401	BH27-20345B	COIL-CHOKE		SNA
L402	BH27-00005A	COIL-CHOKE	120UH,10%,AR-06*30,BULK,-,-	
L404	BH27-20342U	COIL-CHOKE	-,8.2MH(250KHz),10%,DR8*11,-,-,-,-,-,10.5OHM,-,-,-,-,-,BULK	
L601	BH27-00007A	COIL-LINE FILTER	25MH MIN,-,SQE 2424,BULK,-,-	
OP201	0601-001147	LED	ROUND,GRN,4.75mm,565nm	SNA
RL601	3501-001111	RELAY-POWER	12Vdc,250mW,5A,1FormA,15mS,5mS	
SH/BTM+AC/SOCK	6003-000010	SCREW-TAPTITE	BWH,+ ,B,M3,L10,ZPC(YEL),SWRCH1	SNA
SH/BTM+GND	6003-000010	SCREW-TAPTITE	BWH,+ ,B,M3,L10,ZPC(YEL),SWRCH1	SNA

Loc. No.	Code No.	Description	Specification	Remarks
SH/BTM+PCB	6003-000010	SCREW-TAPTITE	BWH,+B,M3,L10,ZPC(YEL),SWRCH1	SNA
SH/BTM+SH/LMF	6003-000010	SCREW-TAPTITE	BWH,+B,M3,L10,ZPC(YEL),SWRCH1	SNA
SH/VID	6502-000001	CABLE CLAMP	DAWH-5NB,D15,L35,NTR,NYLON66	SNA
SH/VID	BH39-00134A	CBF-HARNESS	-,200MM,BLK,UL1015,AWG18,35068-9822/35750-101	
SH/VID	BH39-00150A	CBF-HARNESS	-,150MM,-,-,8*0.16TA*16,35750-1010	
SH/VID	BH39-00153A	CBF-HARNESS	-,120MM,-,-,8*0.16TA*16,35750-1010/35068-982	
SH/VID+H/S	6003-000010	SCREW-TAPTITE	BWH,+B,M3,L10,ZPC(YEL),SWRCH1	SNA
SIGNAL	BH39-00299A	CBF SIGNAL	PN15V/H,15P/6P,7P,2990,150MM,UL2990,IVORY,D-SUB/MALE,-,-,-	
SK01	3704-001042	SOCKET-CRT	7P,22.5PI,12PI,SN	
SW601	3403-001116	SWITCH-PUSH	30VDC,0.1A,2C2P,SELF LOCK,-	
T401	BH26-00027A	TRANS-HOR.DRIVE	35.0MH,-,EI 1916,PL-3,-,310UH,-	△
T402	BH26-00028A	TRANS-H.LINEARITY	5.2UH,6P,DR1425(C:5.0),YL-81,5.2UH/68.0MH,-,HL-1425E	
T501	BH26-00104A	TRANS FBT	FQM15B001,PN15H0,1.05mH,HV45,SM-19D,FUR3757,-,145.4VDC,13P,-10-60° C,BK,27KV	△
T502	BH26-00023A	TRANS-FOCUS	5.0MH,6P,EI 2218,SB-5S,5.0MH/390UH,37.0UH,-	
T601	BH26-00099A	TRANS POWER	ER-3541,FS740,350uH/100uH,16P,115/230V,-,-,-,-,PL3,DMR30,EER3541,0.27ohm MAX,6	
T602	BH26-30302S	TRANS-SYNC.	3-1(250UH),-,-,SB-5S,UU1116,3-	
TH601	1404-000002	THERMISTOR-PTC	9ohm,20%,-,-,TR,RECT,-	
TH602	1404-001020	THERMISTOR-NTC	8ohm,15%,-,-,17mW/C,BK	
VIDEO_CLAMP_1	6502-000001	CABLE CLAMP	DAWH-5NB,D15,L35,NTR,NYLON66	SNA
BD101	3301-000011	CORE-FERRITE BEAD	AA,3.5x1.0x5.7mm,1500,2375G	SNA
BD102	3301-000011	CORE-FERRITE BEAD	AA,3.5x1.0x5.7mm,1500,2375G	SNA
BD103	3301-000011	CORE-FERRITE BEAD	AA,3.5x1.0x5.7mm,1500,2375G	SNA
BD104	3301-000011	CORE-FERRITE BEAD	AA,3.5x1.0x5.7mm,1500,2375G	SNA
BD301	3301-000011	CORE-FERRITE BEAD	AA,3.5x1.0x5.7mm,1500,2375G	SNA
BD406	3301-000011	CORE-FERRITE BEAD	AA,3.5x1.0x5.7mm,1500,2375G	SNA
BD407	3301-000011	CORE-FERRITE BEAD	AA,3.5x1.0x5.7mm,1500,2375G	SNA
BD408	3301-000011	CORE-FERRITE BEAD	AA,3.5x1.0x5.7mm,1500,2375G	SNA
BD409	3301-000011	CORE-FERRITE BEAD	AA,3.5x1.0x5.7mm,1500,2375G	SNA
BD410	3301-000011	CORE-FERRITE BEAD	AA,3.5x1.0x5.7mm,1500,2375G	SNA
BD600	3301-000011	CORE-FERRITE BEAD	AA,3.5x1.0x5.7mm,1500,2375G	SNA
BD601	3301-000011	CORE-FERRITE BEAD	AA,3.5x1.0x5.7mm,1500,2375G	SNA
BD602	3301-000011	CORE-FERRITE BEAD	AA,3.5x1.0x5.7mm,1500,2375G	SNA
BD603	3301-000011	CORE-FERRITE BEAD	AA,3.5x1.0x5.7mm,1500,2375G	SNA
C101	2201-000291	C-CERAMIC,DISC	1nF,10%,500V,Y5P,TP,7.5x3.5,5	
C102	2301-000148	C-FILM,PEF	10nF,5%,100V,TP,7x3.2x7mm,5mm	
C103	2301-000148	C-FILM,PEF	10nF,5%,100V,TP,7x3.2x7mm,5mm	
C104	2401-000025	C-AL	100uF,20%,16V,GP,TP,6.3x11,5	
C108	2401-000603	C-AL	1uF,20%,50V,GP,TP,5x11,5	
C109	2201-000119	C-CERAMIC,DISC	100nF,+80-20%,50V,Y5V,TP,8x3,5	
C110	2201-000119	C-CERAMIC,DISC	100nF,+80-20%,50V,Y5V,TP,8x3,5	
C111	2401-000025	C-AL	100uF,20%,16V,GP,TP,6.3x11,5	
C112	2301-000014	C-FILM,PEF	6.8nF,5%,100V,TP,5.8x12.5mm,5m	
C114	2301-000481	C-FILM,PEF	10nF,5%,100V,TP,6.5x3.4x12.5,5	
C116	2401-000025	C-AL	100uF,20%,16V,GP,TP,6.3x11,5	
C117	2202-002009	C-CERAMIC,MLC-AXIAL	100nF,+80-20%,50V,Y5V,TP,2.3X3	
C118	2401-000292	C-AL	100uF,20%,16V,WT,TP,8x11.5mm,5	
C119	2401-000393	C-AL	10uF,20%,100V,WT,TP,8x11.5,5	
C120	2201-000291	C-CERAMIC,DISC	1nF,10%,500V,Y5P,TP,7.5x3.5,5	
C121	2201-000285	C-CERAMIC,DISC	1nF,10%,1kV,Y5P,TP,8x5,5	
C122	2301-000010	C-FILM,PEF	100nF,5%,100V,TP,11.5x12.5mm,5	
C123	2202-002009	C-CERAMIC,MLC-AXIAL	100nF,+80-20%,50V,Y5V,TP,2.3X3	
C124	2301-000148	C-FILM,PEF	10nF,5%,100V,TP,7x3.2x7mm,5mm	
C130	2202-002009	C-CERAMIC,MLC-AXIAL	100nF,+80-20%,50V,Y5V,TP,2.3X3	
C131	2401-000025	C-AL	100uF,20%,16V,GP,TP,6.3x11,5	
C132	2201-000019	C-CERAMIC,DISC	10nF,+80-20%,500V,Y5V,TP,13.5x4mm,5	

Loc. No.	Code No.	Description	Specification	Remarks
C133	2201-000119	C-CERAMIC,DISC	100nF,+80-20%,50V,Y5V,TP,8x3,5	
C134	2201-000119	C-CERAMIC,DISC	100nF,+80-20%,50V,Y5V,TP,8x3,5	
C135	2201-000264	C-CERAMIC,DISC	0.18nF,5%,50V,NPO,TP,10x3.5,5	
C201	2401-000025	C-AL	100uF,20%,16V,GP,TP,6.3x11,5	
C202	2201-000389	C-CERAMIC,DISC	0.022nF,5%,50V,NPO,TP,5x3,5	
C203	2201-000389	C-CERAMIC,DISC	0.022nF,5%,50V,NPO,TP,5x3,5	
C204	2401-000603	C-AL	1uF,20%,50V,GP,TP,5x11,5	
C205	2401-000603	C-AL	1uF,20%,50V,GP,TP,5x11,5	
C207	2401-002075	C-AL	4.7uF,20%,50V,GP,TP,5x11,5	
C209	2401-002075	C-AL	4.7uF,20%,50V,GP,TP,5x11,5	
C211	2201-000146	C-CERAMIC,DISC	0.1nF,5%,50V,SL,TP,5x3.5,5	
C212	2201-000017	C-CERAMIC,DISC	1nF,10%,50V,Y5P,TP,5x3.5,5	
C213	2301-000010	C-FILM,PEF	100nF,5%,100V,TP,11.5x12.5mm,5	
C214	2401-000025	C-AL	100uF,20%,16V,GP,TP,6.3x11,5	
C215	2201-000146	C-CERAMIC,DISC	0.1nF,5%,50V,SL,TP,5x3.5,5	
C218	2301-000148	C-FILM,PEF	10nF,5%,100V,TP,7x3.2x7mm,5mm	
C219	2401-002075	C-AL	4.7uF,20%,50V,GP,TP,5x11,5	
C220	2401-002075	C-AL	4.7uF,20%,50V,GP,TP,5x11,5	
C301	2301-001049	C-FILM,MPEF	150nF,5%,100V,TP,10.5x5x14.5,5	
C302	2305-000412	C-FILM,MPEF	470nF,5%,63V,TP,-,5mm	
C303	2401-000031	C-AL	47uF,20%,16V,GP,TP,5x11,5	
C304	2301-000519	C-FILM,PEF	3.3nF,5%,100V,TP,5.8x3x12.5,5m	
C305	2401-000037	C-AL	470uF,20%,16V,GP,TP,8x11.5,5	
C306	2401-000856	C-AL	220uF,20%,35V,WT,TP,10x20,5	
C307	2305-000237	C-FILM,MPEF	1uF,5%,63V,TP,7.5x15.5mm,5mm	
C308	2301-000013	C-FILM,PEF	4.7nF,5%,100V,TP,10.5x12.5x6.5	
C309	2202-002009	C-CERAMIC,MLC-AXIAL	100nF,+80-20%,50V,Y5V,TP,2.3X3	
C312	2401-000025	C-AL	100uF,20%,16V,GP,TP,6.3x11,5	
C401	2401-000031	C-AL	47uF,20%,16V,GP,TP,5x11,5	
C402	2201-000119	C-CERAMIC,DISC	100nF,+80-20%,50V,Y5V,TP,8x3,5	
C403	2202-000573	C-CERAMIC,MLC-RADIAL	820pF,5%,50V,NPO,TP,5.1x3.2x5.	
C404	2301-000148	C-FILM,PEF	10nF,5%,100V,TP,7x3.2x7mm,5mm	
C406	2301-000188	C-FILM,PEF	1nF,5%,100V,TP,10.5x12.5x6.5,5	
C407	2401-000540	C-AL	150uF,20%,63V,LZ,TP,10x25,5	
C408	2201-000469	C-CERAMIC,DISC	0.33nF,10%,500V,Y5P,TP,5.5x3,5	
C410	2401-000025	C-AL	100uF,20%,16V,GP,TP,6.3x11,5	
C413	2401-001012	C-AL	3.3UF,20%,50V,BP,TP,16X25,7.5	
C414	2401-001334	C-AL	470nF,20%,50V,GP,TP,5x11,2,5	
C415	2401-001222	C-AL	4.7UF,20%,160V,WT,TP,8X11.5MM,5	
C416	2301-000010	C-FILM,PEF	100nF,5%,100V,TP,11.5x12.5mm,5	
C419	2301-001441	C-FILM,PPF	2nF,3%,1.6kV,TP,20x2.5x11mm,7.5	△
C420	2309-000106	C-FILM,MPE-PPF	2.2nF,5%,1.6KV,TP,23x16x9,7.5m	△
C421	2303-001029	C-FILM,PPF	5.2nF,5%,630V,TP,19x7x13,7.5	
C423	2401-000603	C-AL	1uF,20%,50V,GP,TP,5x11,5	
C425	2306-000119	C-FILM,MPPF	100nF,5%,250V,TP,19x14.5x6.5,7	
C426	2401-000603	C-AL	1uF,20%,50V,GP,TP,5x11,5	
C427	2306-000164	C-FILM,MPPF	220nF,5%,250V,TP,19x22x10,7.5m	
C428	2401-000480	C-AL	10uF,20%,50V,GP,TP,5x11,5	
C429	2401-001261	C-AL	4.7uF,20%,50V,BP,TP,5x11mm,5mm	
C431	2306-000171	C-FILM,MPPF	270nF,5%,250V,TP,21.5x12.5mm,7	
C432	2305-001033	C-FILM,MPEF	15nF,10%,250V,TP,13X9.0X4.5mm,	
C433	2305-001003	C-FILM,MPEF	10nF,5%,250V,TP,13x4.5x9mm,7.5	
C434	2401-000025	C-AL	100uF,20%,16V,GP,TP,6.3x11,5	
C436	2201-000012	C-CERAMIC,DISC	0.22nF,10%,1kV,Y5P,TP,6.3x5,5	
C437	2401-000025	C-AL	100uF,20%,16V,GP,TP,6.3x11,5	

7 Electrical Parts List

Loc. No.	Code No.	Description	Specification	Remarks
C438	2401-001914	C-AL	1uF,20%,50V,BP,TP,5x11,5	
C439	2301-000016	C-FILM,PEF	22nF,5%,100V,TP,7.2x4.5x9.0mm,	
C443	2301-000016	C-FILM,PEF	22nF,5%,100V,TP,7.2x4.5x9.0mm,	
C445	2401-000480	C-AL	10uF,20%,50V,GP,TP,5x11,5	
C447	2202-002009	C-CERAMIC,MLC-AXIAL	100nF,+80-20%,50V,Y5V,TP,2.3X3	
C448	2202-002009	C-CERAMIC,MLC-AXIAL	100nF,+80-20%,50V,Y5V,TP,2.3X3	
C449	2202-002009	C-CERAMIC,MLC-AXIAL	100nF,+80-20%,50V,Y5V,TP,2.3X3	
C461	2401-002075	C-AL	4.7uF,20%,50V,GP,TP,5x11,5	
C462	2301-000148	C-FILM,PEF	10nF,5%,100V,TP,7x3.2x7mm,5mm	
C463	2401-001261	C-AL	4.7uF,20%,50V,BP,TP,5x11mm,5mm	
C501	2301-000016	C-FILM,PEF	22nF,5%,100V,TP,7.2x4.5x9.0mm,	
C503	2201-000119	C-CERAMIC,DISC	100nF,+80-20%,50V,Y5V,TP,8x3,5	
C505	2401-000059	C-AL	220nF,20%,50V,GP,-,5x11,5	
C509	2401-000573	C-AL	1uF,20%,250V,WT,TP,6.3x11,5	
C510	2301-000005	C-FILM,PEF	33nF,5%,100V,TP,5.8x12.5x3,5	
C513	2201-000291	C-CERAMIC,DISC	1nF,10%,500V,Y5P,TP,7.5x3.5,5	
C541	2301-000004	C-FILM,PEF	2.2nF,5%,100V,TP,5.5X10X2.9,5m	
C542	2201-000017	C-CERAMIC,DISC	1nF,10%,50V,Y5P,TP,5x3,5,5	
C596	2201-000469	C-CERAMIC,DISC	0.33nF,10%,500V,Y5P,TP,5.5x3,5	
C597	2201-000469	C-CERAMIC,DISC	0.33nF,10%,500V,Y5P,TP,5.5x3,5	
C598	2201-000469	C-CERAMIC,DISC	0.33nF,10%,500V,Y5P,TP,5.5x3,5	
C599	2201-000469	C-CERAMIC,DISC	0.33nF,10%,500V,Y5P,TP,5.5x3,5	
C600	2201-002026	C-CERAMIC,DISC	1nF,20%,400VAC,B,TP,11x6,7.5mm	
C603	2201-000024	C-CERAMIC,DISC	4.7nF,20%,250VAC,Y5U,TP,16x7,7	
C604	2201-000024	C-CERAMIC,DISC	4.7nF,20%,250VAC,Y5U,TP,16x7,7	
C607	2202-002009	C-CERAMIC,MLC-AXIAL	100nF,+80-20%,50V,Y5V,TP,2.3X3	
C609	2401-000971	C-AL	22uF,20%,50V,WT,TP,6x11mm,5mm	
C610	2301-000284	C-FILM,PEF	47nF,5%,100V,TP,8.5x12.5mm,5mm	
C611	2401-000613	C-AL	1uF,20%,50V,WT,TP,5x11,5	
C612	2401-000613	C-AL	1uF,20%,50V,WT,TP,5x11,5	
C613	2201-000012	C-CERAMIC,DISC	0.22nF,10%,1kV,Y5P,TP,6.3x5,5	
C614	2201-000019	C-CERAMIC,DISC	10nF,+80-20%,500V,Y5V,TP,13.5x4mm,5	
C615	2201-000291	C-CERAMIC,DISC	1nF,10%,500V,Y5P,TP,7.5x3.5,5	
C616	2201-000023	C-CERAMIC,DISC	2.2nF,20%,125V,Y5U,TP,11x7,5	
C617	2201-000023	C-CERAMIC,DISC	2.2nF,20%,125V,Y5U,TP,11x7,5	
C619	2201-000469	C-CERAMIC,DISC	0.33nF,10%,500V,Y5P,TP,5.5x3,5	
C620	2401-000540	C-AL	150uF,20%,63V,LZ,TP,10x25,5	
C621	2401-001551	C-AL	47uF,20%,35V,GP,TP,6.3x11,5	
C622	2401-000151	C-AL	1000uF,20%,25V,GP,TP,10x20,5	
C623	2401-000039	C-AL	1000uF,20%,16V,GP,TP,10x16,5	
C626	2401-000025	C-AL	100uF,20%,16V,GP,TP,6.3x11,5	
C627	2401-000292	C-AL	100uF,20%,16V,WT,TP,8x11.5mm,5	
C628	2401-000025	C-AL	100uF,20%,16V,GP,TP,6.3x11,5	
C629	2401-000292	C-AL	100uF,20%,16V,WT,TP,8x11.5mm,5	
C630	2401-001561	C-AL	47uF,20%,35V,WT,TP,8x11.5,5	
C631	2202-002009	C-CERAMIC,MLC-AXIAL	100nF,+80-20%,50V,Y5V,TP,2.3X3	
C632	2201-000019	C-CERAMIC,DISC	10nF,+80-20%,500V,Y5V,TP,13.5x4mm,5	
C633	2401-000603	C-AL	1uF,20%,50V,GP,TP,5x11,5	
C634	2401-000480	C-AL	10uF,20%,50V,GP,TP,5x11,5	
CB01	2202-002009	C-CERAMIC,MLC-AXIAL	100nF,+80-20%,50V,Y5V,TP,2.3X3	
CB02	2301-000010	C-FILM,PEF	100nF,5%,100V,TP,11.5x12.5mm,5	
CB03	2201-000119	C-CERAMIC,DISC	100nF,+80-20%,50V,Y5V,TP,8x3,5	
CB04	2305-000004	C-FILM,MPEF	220nF,10%,100V,TP,12.7x16,5mm	
CG01	2202-002009	C-CERAMIC,MLC-AXIAL	100nF,+80-20%,50V,Y5V,TP,2.3X3	
CG02	2301-000010	C-FILM,PEF	100nF,5%,100V,TP,11.5x12.5mm,5	



Loc. No.	Code No.	Description	Specification	Remarks
CG03	2201-000119	C-CERAMIC,DISC	100nF,+80-20%,50V,Y5V,TP,8x3,5	
CG04	2305-000004	C-FILM,MPEF	220nF,10%,100V,TP,12.7x16,5mm	
CN304	3711-000197	CONNECTOR-HEADER	1WALL,3P,1R,2.5mm,STRAIGHT,SN	SNA
CN603	3711-000217	CONNECTOR-HEADER	1WALL,3P,1R,3.96mm,STRAIGHT,SN	SNA
CR01	2202-002009	C-CERAMIC,MLC-AXIAL	100nF,+80-20%,50V,Y5V,TP,2.3X3	
CR02	2301-000010	C-FILM,PEF	100nF,5%,100V,TP,11.5x12.5mm,5	
CR03	2201-000119	C-CERAMIC,DISC	100nF,+80-20%,50V,Y5V,TP,8x3,5	
CR04	2305-000004	C-FILM,MPEF	220nF,10%,100V,TP,12.7x16,5mm	
D102	0401-000005	DIODE-SWITCHING	1N4148,100V,200mA,DO-35,TP	
D103	0401-000005	DIODE-SWITCHING	1N4148,100V,200mA,DO-35,TP	
D211	0401-000005	DIODE-SWITCHING	1N4148,100V,200mA,DO-35,TP	
D212	0403-000361	DIODE-ZENER	UZ6.2BSB,6.2V,5.99-6.24V,500mW	
D213	0403-000361	DIODE-ZENER	UZ6.2BSB,6.2V,5.99-6.24V,500mW	
D301	0402-000274	DIODE-RECTIFIER	UF4004,400V,1A,DO-41,TP	
D302	0401-000005	DIODE-SWITCHING	1N4148,100V,200mA,DO-35,TP	
D401	0402-000274	DIODE-RECTIFIER	UF4004,400V,1A,DO-41,TP	
D402	0402-000006	DIODE-RECTIFIER	1N4007GP,1000V,1A,DO-41,TP	
D403	0402-000006	DIODE-RECTIFIER	1N4007GP,1000V,1A,DO-41,TP	
D404	0402-000006	DIODE-RECTIFIER	1N4007GP,1000V,1A,DO-41,TP	
D405	0402-000274	DIODE-RECTIFIER	UF4004,400V,1A,DO-41,TP	
D410	0401-000005	DIODE-SWITCHING	1N4148,100V,200mA,DO-35,TP	
D411	0401-000005	DIODE-SWITCHING	1N4148,100V,200mA,DO-35,TP	
D412	0402-000546	DIODE-RECTIFIER	TVR10G,400V,1.0A,DO-41,TP	
D413	0402-000546	DIODE-RECTIFIER	TVR10G,400V,1.0A,DO-41,TP	
D420	0401-000005	DIODE-SWITCHING	1N4148,100V,200mA,DO-35,TP	
D421	0401-000004	DIODE-SWITCHING	1SS244,250V,625mA,DO-34,TP	
D423	0401-000005	DIODE-SWITCHING	1N4148,100V,200mA,DO-35,TP	
D501	0401-000005	DIODE-SWITCHING	1N4148,100V,200mA,DO-35,TP	
D502	0402-000017	DIODE-RECTIFIER	RGPO2-12,1200V,0.5A,DO-204AL,T	
D504	0402-000546	DIODE-RECTIFIER	TVR10G,400V,1.0A,DO-41,TP	
D508	0401-000005	DIODE-SWITCHING	1N4148,100V,200mA,DO-35,TP	
D509	0401-000005	DIODE-SWITCHING	1N4148,100V,200mA,DO-35,TP	
D510	0401-000005	DIODE-SWITCHING	1N4148,100V,200mA,DO-35,TP	
D511	0401-000005	DIODE-SWITCHING	1N4148,100V,200mA,DO-35,TP	
D597	0401-000005	DIODE-SWITCHING	1N4148,100V,200mA,DO-35,TP	
D598	0401-000005	DIODE-SWITCHING	1N4148,100V,200mA,DO-35,TP	
D602	0401-000005	DIODE-SWITCHING	1N4148,100V,200mA,DO-35,TP	
D604	0402-000012	DIODE-RECTIFIER	UF4007,1KV,1A,DO-41,TP	
D605	0402-000012	DIODE-RECTIFIER	UF4007,1KV,1A,DO-41,TP	
D606	0402-000546	DIODE-RECTIFIER	TVR10G,400V,1.0A,DO-41,TP	
D607	0401-000005	DIODE-SWITCHING	1N4148,100V,200mA,DO-35,TP	
D610	0402-000012	DIODE-RECTIFIER	UF4007,1KV,1A,DO-41,TP	
D611	0402-001194	DIODE-RECTIFIER	UG2D,200V,2A,DO-204AC,TP	
D612	0402-000546	DIODE-RECTIFIER	TVR10G,400V,1.0A,DO-41,TP	
D614	0402-000546	DIODE-RECTIFIER	TVR10G,400V,1.0A,DO-41,TP	
D615	0401-000005	DIODE-SWITCHING	1N4148,100V,200mA,DO-35,TP	
D616	0401-000005	DIODE-SWITCHING	1N4148,100V,200mA,DO-35,TP	
D617	0401-000005	DIODE-SWITCHING	1N4148,100V,200mA,DO-35,TP	
D618	0401-000005	DIODE-SWITCHING	1N4148,100V,200mA,DO-35,TP	
DB01	0401-000005	DIODE-SWITCHING	1N4148,100V,200mA,DO-35,TP	
DB02	0401-000005	DIODE-SWITCHING	1N4148,100V,200mA,DO-35,TP	
DB03	0401-000004	DIODE-SWITCHING	1SS244,250V,625mA,DO-34,TP	
DB04	0401-000004	DIODE-SWITCHING	1SS244,250V,625mA,DO-34,TP	
DB05	0401-000005	DIODE-SWITCHING	1N4148,100V,200mA,DO-35,TP	
DG01	0401-000005	DIODE-SWITCHING	1N4148,100V,200mA,DO-35,TP	

7 Electrical Parts List

Loc. No.	Code No.	Description	Specification	Remarks
DG02	0401-000005	DIODE-SWITCHING	1N4148,100V,200mA,DO-35,TP	
DG03	0401-000004	DIODE-SWITCHING	1SS244,250V,625mA,DO-34,TP	
DG04	0401-000004	DIODE-SWITCHING	1SS244,250V,625mA,DO-34,TP	
DG05	0401-000005	DIODE-SWITCHING	1N4148,100V,200mA,DO-35,TP	
DR01	0401-000005	DIODE-SWITCHING	1N4148,100V,200mA,DO-35,TP	
DR02	0401-000005	DIODE-SWITCHING	1N4148,100V,200mA,DO-35,TP	
DR03	0401-000004	DIODE-SWITCHING	1SS244,250V,625mA,DO-34,TP	
DR04	0401-000004	DIODE-SWITCHING	1SS244,250V,625mA,DO-34,TP	
DR05	0401-000005	DIODE-SWITCHING	1N4148,100V,200mA,DO-35,TP	
EY1	6042-000002	EYELET	ID1.5,OD2,L3.1,SN,BSS3-E/EH	SNA
EY10	6042-000001	EYELET	ID2.2,OD2.7,L3.1,SN,BSS3-E/EH	SNA
EY2	6042-000001	EYELET	ID2.2,OD2.7,L3.1,SN,BSS3-E/EH	SNA
EY3	6042-000001	EYELET	ID2.2,OD2.7,L3.1,SN,BSS3-E/EH	SNA
EY301	6042-000001	EYELET	ID2.2,OD2.7,L3.1,SN,BSS3-E/EH	SNA
EY302	6042-000001	EYELET	ID2.2,OD2.7,L3.1,SN,BSS3-E/EH	SNA
EY4	6042-000002	EYELET	ID1.5,OD2,L3.1,SN,BSS3-E/EH	SNA
EY401	6042-000002	EYELET	ID1.5,OD2,L3.1,SN,BSS3-E/EH	SNA
EY410	6042-000002	EYELET	ID1.5,OD2,L3.1,SN,BSS3-E/EH	SNA
EY411	6042-000002	EYELET	ID1.5,OD2,L3.1,SN,BSS3-E/EH	SNA
EY444	6042-000002	EYELET	ID1.5,OD2,L3.1,SN,BSS3-E/EH	SNA
EY445	6042-000002	EYELET	ID1.5,OD2,L3.1,SN,BSS3-E/EH	SNA
EY501	6042-000001	EYELET	ID2.2,OD2.7,L3.1,SN,BSS3-E/EH	SNA
EY502	6042-000001	EYELET	ID2.2,OD2.7,L3.1,SN,BSS3-E/EH	SNA
EY503	6042-000001	EYELET	ID2.2,OD2.7,L3.1,SN,BSS3-E/EH	SNA
EY504	6042-000002	EYELET	ID1.5,OD2,L3.1,SN,BSS3-E/EH	SNA
EY505	6042-000002	EYELET	ID1.5,OD2,L3.1,SN,BSS3-E/EH	SNA
EY506	6042-000002	EYELET	ID1.5,OD2,L3.1,SN,BSS3-E/EH	SNA
EY507	6042-000002	EYELET	ID1.5,OD2,L3.1,SN,BSS3-E/EH	SNA
EY508	6042-000002	EYELET	ID1.5,OD2,L3.1,SN,BSS3-E/EH	SNA
EY601	6042-000001	EYELET	ID2.2,OD2.7,L3.1,SN,BSS3-E/EH	SNA
EY602	6042-000001	EYELET	ID2.2,OD2.7,L3.1,SN,BSS3-E/EH	SNA
EY603	6042-000001	EYELET	ID2.2,OD2.7,L3.1,SN,BSS3-E/EH	SNA
EY604	6042-000001	EYELET	ID2.2,OD2.7,L3.1,SN,BSS3-E/EH	SNA
EY605	6042-000001	EYELET	ID2.2,OD2.7,L3.1,SN,BSS3-E/EH	SNA
EY606	6042-000001	EYELET	ID2.2,OD2.7,L3.1,SN,BSS3-E/EH	SNA
EY607	6042-000002	EYELET	ID1.5,OD2,L3.1,SN,BSS3-E/EH	SNA
EY608	6042-000002	EYELET	ID1.5,OD2,L3.1,SN,BSS3-E/EH	SNA
EY609	6042-000002	EYELET	ID1.5,OD2,L3.1,SN,BSS3-E/EH	SNA
EY610	6042-000002	EYELET	ID1.5,OD2,L3.1,SN,BSS3-E/EH	SNA
FH1	3602-000001	FUSE-CLIP	-,30mohm	SNA
G2	BH71-40300A	PIN-HINGE	-,BRASS,D2.36,SN,HEAT/SINK	SNA
GND	BH71-40300A	PIN-HINGE	-,BRASS,D2.36,SN,HEAT/SINK	SNA
GT603	BH71-40300A	PIN-HINGE	-,BRASS,D2.36,SN,HEAT/SINK	SNA
GT604	BH71-40300A	PIN-HINGE	-,BRASS,D2.36,SN,HEAT/SINK	SNA
IC102	BH13-00022A	IC-BIAS CLAMP	LM2480NA,PN15H/17L,8P,0to+70C,DIP,3mA,85V,ST	
IC104	BH09-00048A	IC MICOM-OSD PROCESSOR	NT68275-00004,PN15H*,16P,4.75V to 5.25V,100KHz,-,512,8BIT,8BIT,DIP,ST,300,8BIT,0	
IC603	1201-000229	IC-OP AMP	324,DIP,14P,300MIL,QUAD,100V/m	
J1	BH39-40305U	CBF HARNESS	52MM,AWG22(0.6PI),-,AWG22(0.	SNA
J11	BH39-40305U	CBF HARNESS	52MM,AWG22(0.6PI),-,AWG22(0.	SNA
J12	BH39-40305U	CBF HARNESS	52MM,AWG22(0.6PI),-,AWG22(0.	SNA
J2	BH39-40305U	CBF HARNESS	52MM,AWG22(0.6PI),-,AWG22(0.	SNA
J24	BH39-40305U	CBF HARNESS	52MM,AWG22(0.6PI),-,AWG22(0.	SNA
J3	BH39-40305U	CBF HARNESS	52MM,AWG22(0.6PI),-,AWG22(0.	SNA
J4	BH39-40305U	CBF HARNESS	52MM,AWG22(0.6PI),-,AWG22(0.	SNA
J8	BH39-40305U	CBF HARNESS	52MM,AWG22(0.6PI),-,AWG22(0.	SNA

7 Electrical Parts List

Loc. No.	Code No.	Description	Specification	Remarks
JP38	BH39-40305U	CBF HARNESS	52MM,AWG22(0.6PI),-,-,AWG22(0.	SNA
JP39	BH39-40305U	CBF HARNESS	52MM,AWG22(0.6PI),-,-,AWG22(0.	SNA
JP40	BH39-40305U	CBF HARNESS	52MM,AWG22(0.6PI),-,-,AWG22(0.	SNA
JP43	BH39-40305U	CBF HARNESS	52MM,AWG22(0.6PI),-,-,AWG22(0.	SNA
JP44	BH39-40305U	CBF HARNESS	52MM,AWG22(0.6PI),-,-,AWG22(0.	SNA
JP46	BH39-40305U	CBF HARNESS	52MM,AWG22(0.6PI),-,-,AWG22(0.	SNA
JP47	BH39-40305U	CBF HARNESS	52MM,AWG22(0.6PI),-,-,AWG22(0.	SNA
JP51	BH39-40305U	CBF HARNESS	52MM,AWG22(0.6PI),-,-,AWG22(0.	SNA
JP52	BH39-40305U	CBF HARNESS	52MM,AWG22(0.6PI),-,-,AWG22(0.	SNA
JP53	BH39-40305U	CBF HARNESS	52MM,AWG22(0.6PI),-,-,AWG22(0.	SNA
JP54	BH39-40305U	CBF HARNESS	52MM,AWG22(0.6PI),-,-,AWG22(0.	SNA
JP56	BH39-40305U	CBF HARNESS	52MM,AWG22(0.6PI),-,-,AWG22(0.	SNA
JP57	BH39-40305U	CBF HARNESS	52MM,AWG22(0.6PI),-,-,AWG22(0.	SNA
JP58	BH39-40305U	CBF HARNESS	52MM,AWG22(0.6PI),-,-,AWG22(0.	SNA
JP6	BH39-40305U	CBF HARNESS	52MM,AWG22(0.6PI),-,-,AWG22(0.	SNA
JP62	BH39-40305U	CBF HARNESS	52MM,AWG22(0.6PI),-,-,AWG22(0.	SNA
JP63	BH39-40305U	CBF HARNESS	52MM,AWG22(0.6PI),-,-,AWG22(0.	SNA
JP64	BH39-40305U	CBF HARNESS	52MM,AWG22(0.6PI),-,-,AWG22(0.	SNA
JP65	BH39-40305U	CBF HARNESS	52MM,AWG22(0.6PI),-,-,AWG22(0.	SNA
JP66	BH39-40305U	CBF HARNESS	52MM,AWG22(0.6PI),-,-,AWG22(0.	SNA
JP67	BH39-40305U	CBF HARNESS	52MM,AWG22(0.6PI),-,-,AWG22(0.	SNA
JP68	BH39-40305U	CBF HARNESS	52MM,AWG22(0.6PI),-,-,AWG22(0.	SNA
JP69	BH39-40305U	CBF HARNESS	52MM,AWG22(0.6PI),-,-,AWG22(0.	SNA
JP7	BH39-40305U	CBF HARNESS	52MM,AWG22(0.6PI),-,-,AWG22(0.	SNA
JP70	BH39-40305U	CBF HARNESS	52MM,AWG22(0.6PI),-,-,AWG22(0.	SNA
JP75	BH39-40305U	CBF HARNESS	52MM,AWG22(0.6PI),-,-,AWG22(0.	SNA
JP76	BH39-40305U	CBF HARNESS	52MM,AWG22(0.6PI),-,-,AWG22(0.	SNA
JP77	BH39-40305U	CBF HARNESS	52MM,AWG22(0.6PI),-,-,AWG22(0.	SNA
JP78	BH39-40305U	CBF HARNESS	52MM,AWG22(0.6PI),-,-,AWG22(0.	SNA
JP80	BH39-40305U	CBF HARNESS	52MM,AWG22(0.6PI),-,-,AWG22(0.	SNA
JP81	BH39-40305U	CBF HARNESS	52MM,AWG22(0.6PI),-,-,AWG22(0.	SNA
JP82	BH39-40305U	CBF HARNESS	52MM,AWG22(0.6PI),-,-,AWG22(0.	SNA
JP83	BH39-40305U	CBF HARNESS	52MM,AWG22(0.6PI),-,-,AWG22(0.	SNA
JP84	BH39-40305U	CBF HARNESS	52MM,AWG22(0.6PI),-,-,AWG22(0.	SNA
JP86	BH39-40305U	CBF HARNESS	52MM,AWG22(0.6PI),-,-,AWG22(0.	SNA
JP87	BH39-40305U	CBF HARNESS	52MM,AWG22(0.6PI),-,-,AWG22(0.	SNA
JP88	BH39-40305U	CBF HARNESS	52MM,AWG22(0.6PI),-,-,AWG22(0.	SNA
JP93	BH39-40305U	CBF HARNESS	52MM,AWG22(0.6PI),-,-,AWG22(0.	SNA
JP94	BH39-40305U	CBF HARNESS	52MM,AWG22(0.6PI),-,-,AWG22(0.	SNA
JP95	BH39-40305U	CBF HARNESS	52MM,AWG22(0.6PI),-,-,AWG22(0.	SNA
JP96	BH39-40305U	CBF HARNESS	52MM,AWG22(0.6PI),-,-,AWG22(0.	SNA
JP97	BH39-40305U	CBF HARNESS	52MM,AWG22(0.6PI),-,-,AWG22(0.	SNA
LB02	2701-000235	INDUCTOR-AXIAL	820nH,10%,3x7mm	
LG02	2701-001052	INDUCTOR-AXIAL	560nH,10%,4.2x9.8mm	
LR02	2701-000235	INDUCTOR-AXIAL	820nH,10%,3x7mm	
MP1.0	BH41-00126A	PCB MAIN	PN15HT,FR1,1,-,1.6T,247*247,-,-,-,-	SNA
Q101	0501-000404	TR-SMALL SIGNAL	KSD1616-Y,NPN,750mW,TO-92,TP,135-270	
Q301	0501-000122	TR-SMALL SIGNAL	2N3904,NPN,625mW,TO-92,TP,100-300	
Q302	0501-000581	TR-SMALL SIGNAL	2N3906,PNP,625mW,TO-92,TP,100-300	
Q401	0501-000303	TR-SMALL SIGNAL	KSA733,PNP,250mW,TO-92,TP,120-240	
Q403	0501-000586	TR-SMALL SIGNAL	KSC945,NPN,250mW,TO-92,TP,120-240	
Q405	0501-000303	TR-SMALL SIGNAL	KSA733,PNP,250mW,TO-92,TP,120-240	
Q406	0501-000303	TR-SMALL SIGNAL	KSA733,PNP,250mW,TO-92,TP,120-240	
Q407	0501-000140	TR-SMALL SIGNAL	2N5551,NPN,625mW,TO-92,TP,80-250	
Q412	0501-000122	TR-SMALL SIGNAL	2N3904,NPN,625mW,TO-92,TP,100-300	

Loc. No.	Code No.	Description	Specification	Remarks
Q413	0501-000581	TR-SMALL SIGNAL	2N3906,PNP,625mW,TO-92,TP,100-300	
Q414	0501-000586	TR-SMALL SIGNAL	KSC945,NPN,250mW,TO-92,TP,120-240	
Q415	0501-000586	TR-SMALL SIGNAL	KSC945,NPN,250mW,TO-92,TP,120-240	
Q416	0501-000586	TR-SMALL SIGNAL	KSC945,NPN,250mW,TO-92,TP,120-240	
Q417	0501-000586	TR-SMALL SIGNAL	KSC945,NPN,250mW,TO-92,TP,120-240	
Q418	0501-000372	TR-SMALL SIGNAL	KSC2383-Y,NPN,900000mW,TO-92L,TP,160-320	
Q499	0501-000303	TR-SMALL SIGNAL	KSA733,PNP,250mW,TO-92,TP,120-240	
Q501	0501-000586	TR-SMALL SIGNAL	KSC945,NPN,250mW,TO-92,TP,120-240	
Q502	0501-000143	TR-SMALL SIGNAL	2N6520,PNP,625mW,TO-92,TP,30-200	
Q601	0501-000586	TR-SMALL SIGNAL	KSC945,NPN,250mW,TO-92,TP,120-240	
Q602	0501-000122	TR-SMALL SIGNAL	2N3904,NPN,625mW,TO-92,TP,100-300	
Q604	0501-000404	TR-SMALL SIGNAL	KSD1616-Y,NPN,750mW,TO-92,TP,135-270	
Q608	0501-000010	TR-SMALL SIGNAL	KSC1008,NPN,800mW,TO-92,TP,120-240	
Q609	0501-002228	TR-SMALL SIGNAL	KTA1281,PNP,1000mW,TO-92L,TP,120-240	
Q610	0501-000586	TR-SMALL SIGNAL	KSC945,NPN,250mW,TO-92,TP,120-240	
Q611	0501-002228	TR-SMALL SIGNAL	KTA1281,PNP,1000mW,TO-92L,TP,120-240	
Q612	0501-000586	TR-SMALL SIGNAL	KSC945,NPN,250mW,TO-92,TP,120-240	
Q614	0501-000404	TR-SMALL SIGNAL	KSD1616-Y,NPN,750mW,TO-92,TP,135-270	
Q615	0501-000581	TR-SMALL SIGNAL	2N3906,PNP,625mW,TO-92,TP,100-300	
R101	2001-001138	R-CARBON(S)	390OHM,5%,1/2W,AA,TP,2.4X6.4MM	
R102	2001-000429	R-CARBON	1KOHM,5%,1/8W,AA,TP,1.8X3.2MM	
R104	2001-000319	R-CARBON	120KOHM,5%,1/8W,AA,TP,1.8X3.2MM	
R106	2001-000522	R-CARBON	22KOHM,5%,1/8W,AA,TP,1.8X3.2MM	
R107	2001-000281	R-CARBON	100OHM,5%,1/8W,AA,TP,1.8X3.2MM	
R108	2001-000281	R-CARBON	100OHM,5%,1/8W,AA,TP,1.8X3.2MM	
R109	2001-000734	R-CARBON	4.7KOHM,5%,1/8W,AA,TP,1.8X3.2MM	
R110	2001-000812	R-CARBON	5.6KOHM,5%,1/8W,AA,TP,1.8X3.2MM	
R111	2001-000331	R-CARBON	12KOHM,5%,1/8W,AA,TP,1.8X3.2MM	
R112	2001-000435	R-CARBON	1MOHM,5%,1/8W,AA,TP,1.8X3.2MM	
R113	2001-000290	R-CARBON	10KOHM,5%,1/8W,AA,TP,1.8X3.2MM	
R114	2001-000290	R-CARBON	10KOHM,5%,1/8W,AA,TP,1.8X3.2MM	
R118	2001-000734	R-CARBON	4.7KOHM,5%,1/8W,AA,TP,1.8X3.2MM	
R119	2001-000003	R-CARBON	330ohm,5%,1/8W,AA,TP,1.8x3.2mm	
R120	2001-000429	R-CARBON	1KOHM,5%,1/8W,AA,TP,1.8X3.2MM	
R121	2001-001138	R-CARBON(S)	390OHM,5%,1/2W,AA,TP,2.4X6.4MM	
R130	2001-000290	R-CARBON	10KOHM,5%,1/8W,AA,TP,1.8X3.2MM	
R131	2001-000290	R-CARBON	10KOHM,5%,1/8W,AA,TP,1.8X3.2MM	
R132	2001-000241	R-CARBON	1.5KOHM,5%,1/8W,AA,TP,1.8X3.2MM	
R134	2001-000429	R-CARBON	1KOHM,5%,1/8W,AA,TP,1.8X3.2MM	
R135	2001-000290	R-CARBON	10KOHM,5%,1/8W,AA,TP,1.8X3.2MM	
R200	2001-000869	R-CARBON	56OHM,5%,1/8W,AA,TP,1.8X3.2MM	
R201	2001-000812	R-CARBON	5.6KOHM,5%,1/8W,AA,TP,1.8X3.2MM	
R202	2001-000290	R-CARBON	10KOHM,5%,1/8W,AA,TP,1.8X3.2MM	
R203	2001-000008	R-CARBON	15KOHM,5%,1/8W,AA,TP,1.8X3.2MM	
R204	2001-000008	R-CARBON	15KOHM,5%,1/8W,AA,TP,1.8X3.2MM	
R206	2001-000008	R-CARBON	15KOHM,5%,1/8W,AA,TP,1.8X3.2MM	
R207	2001-000869	R-CARBON	56OHM,5%,1/8W,AA,TP,1.8X3.2MM	
R208	2001-000869	R-CARBON	56OHM,5%,1/8W,AA,TP,1.8X3.2MM	
R209	2001-000290	R-CARBON	10KOHM,5%,1/8W,AA,TP,1.8X3.2MM	
R210	2001-000290	R-CARBON	10KOHM,5%,1/8W,AA,TP,1.8X3.2MM	
R212	2001-000472	R-CARBON	2.7KOHM,5%,1/8W,AA,TP,1.8X3.2MM	
R213	2001-000429	R-CARBON	1KOHM,5%,1/8W,AA,TP,1.8X3.2MM	
R214	2001-000429	R-CARBON	1KOHM,5%,1/8W,AA,TP,1.8X3.2MM	
R215	2001-000281	R-CARBON	100OHM,5%,1/8W,AA,TP,1.8X3.2MM	
R216	2001-000281	R-CARBON	100OHM,5%,1/8W,AA,TP,1.8X3.2MM	

7 Electrical Parts List

Loc. No.	Code No.	Description	Specification	Remarks
R217	2001-000281	R-CARBON	1000HM,5%,1/8W,AA,TP,1.8X3.2MM	
R218	2001-000281	R-CARBON	1000HM,5%,1/8W,AA,TP,1.8X3.2MM	
R219	2001-000290	R-CARBON	10KOHM,5%,1/8W,AA,TP,1.8X3.2MM	
R220	2001-000281	R-CARBON	1000HM,5%,1/8W,AA,TP,1.8X3.2MM	
R221	2001-000734	R-CARBON	4.7KOHM,5%,1/8W,AA,TP,1.8X3.2MM	
R222	2001-000734	R-CARBON	4.7KOHM,5%,1/8W,AA,TP,1.8X3.2MM	
R223	2001-000005	R-CARBON	390ohm,5%,1/8W,AA,TP,1.8x3.2mm	
R224	2001-000869	R-CARBON	56OHM,5%,1/8W,AA,TP,1.8X3.2MM	
R225	2001-000869	R-CARBON	56OHM,5%,1/8W,AA,TP,1.8X3.2MM	
R229	2001-000281	R-CARBON	1000HM,5%,1/8W,AA,TP,1.8X3.2MM	
R230	2001-000290	R-CARBON	10KOHM,5%,1/8W,AA,TP,1.8X3.2MM	
R236	2001-000290	R-CARBON	10KOHM,5%,1/8W,AA,TP,1.8X3.2MM	
R237	2001-000429	R-CARBON	1KOHM,5%,1/8W,AA,TP,1.8X3.2MM	
R238	2001-000290	R-CARBON	10KOHM,5%,1/8W,AA,TP,1.8X3.2MM	
R239	2001-000290	R-CARBON	10KOHM,5%,1/8W,AA,TP,1.8X3.2MM	
R240	2001-000221	R-CARBON	1.2KOHM,5%,1/8W,AA,TP,1.8X3.2MM	
R241	2001-000290	R-CARBON	10KOHM,5%,1/8W,AA,TP,1.8X3.2MM	
R301	2001-000734	R-CARBON	4.7KOHM,5%,1/8W,AA,TP,1.8X3.2MM	
R304	2004-000344	R-METAL	15Kohm,1%,1/4W,AA,TP,2.4x6.4mm	
R306	2004-000899	R-METAL	4.7Kohm,1%,1/4W,AA,TP,2.4x6.4m	
R307	2001-001048	R-CARBON(S)	1.2OHM,5%,1/2W,AA,TP,2.4X6.4MM	
R308	2001-000109	R-CARBON(S)	470OHM,5%,1/2W,AA,TP,2.4X6.4MM	
R309	2004-005003	R-METAL	1.5ohm,2%,1/2W,AA,TP,3.3x9.0mm	
R310	2004-001022	R-METAL	5.6Kohm,1%,1/4W,AA,TP,2.4x6.4m	
R311	2004-000979	R-METAL	47Kohm,1%,1/4W,AA,TP,2.4x6.4mm	
R315	2004-005003	R-METAL	1.5ohm,2%,1/2W,AA,TP,3.3x9.0mm	
R316	2001-000812	R-CARBON	5.6KOHM,5%,1/8W,AA,TP,1.8X3.2MM	
R323	2001-000290	R-CARBON	10KOHM,5%,1/8W,AA,TP,1.8X3.2MM	
R324	2001-000290	R-CARBON	10KOHM,5%,1/8W,AA,TP,1.8X3.2MM	
R327	2001-000689	R-CARBON	390KOHM,5%,1/8W,AA,TP,1.8X3.2MM	
R328	2001-000273	R-CARBON	100KOHM,5%,1/8W,AA,TP,1.8X3.2MM	
R340	2001-000290	R-CARBON	10KOHM,5%,1/8W,AA,TP,1.8X3.2MM	
R402	2001-000869	R-CARBON	56OHM,5%,1/8W,AA,TP,1.8X3.2MM	
R404	2004-001022	R-METAL	5.6Kohm,1%,1/4W,AA,TP,2.4x6.4m	
R405	2001-000472	R-CARBON	2.7KOHM,5%,1/8W,AA,TP,1.8X3.2MM	
R406	2001-000522	R-CARBON	22KOHM,5%,1/8W,AA,TP,1.8X3.2MM	
R410	2003-000008	R-METAL OXIDE(S)	100ohm,5%,1W,AA,TP,3.3x9mm	
R412	2001-000429	R-CARBON	1KOHM,5%,1/8W,AA,TP,1.8X3.2MM	
R414	2003-000407	R-METAL OXIDE(S)	0.6ohm,5%,2W,AA,TP,4x12mm	△
R415	2003-000429	R-METAL OXIDE(S)	1.5Kohm,5%,2W,AA,TP,4x12mm	
R416	2001-000107	R-CARBON(S)	150KOHM,5%,1/2W,AA,TP,2.4X6.4MM	
R418	2001-000613	R-CARBON	3.9KOHM,5%,1/8W,AA,TP,1.8X3.2MM	
R419	2001-000397	R-CARBON	180KOHM,5%,1/8W,AA,TP,1.8X3.2MM	
R420	2001-000354	R-CARBON	150KOHM,5%,1/4W,AA,TP,2.4X6.4MM	
R423	2001-000429	R-CARBON	1KOHM,5%,1/8W,AA,TP,1.8X3.2MM	
R424	2004-000284	R-METAL	12Kohm,1%,1/4W,AA,TP,2.4x6.4mm	
R425	2001-000429	R-CARBON	1KOHM,5%,1/8W,AA,TP,1.8X3.2MM	
R426	2001-000110	R-CARBON	100HM,5%,1/4W,AA,TP,2.4X6.4MM	
R427	2001-000429	R-CARBON	1KOHM,5%,1/8W,AA,TP,1.8X3.2MM	
R428	2003-000653	R-METAL OXIDE(S)	330ohm,5%,3W,AA,TP,6x16mm	
R429	2001-000645	R-CARBON	330KOHM,5%,1/8W,AA,TP,1.8X3.2MM	
R430	2001-001078	R-CARBON(S)	15KOHM,5%,1/2W,AA,TP,2.4X6.4MM	
R431	2003-000407	R-METAL OXIDE(S)	0.6ohm,5%,2W,AA,TP,4x12mm	
R432	2001-000020	R-CARBON(S)	22OHM,5%,1/2W,AA,TP,2.4X6.4MM	
R434	2001-000449	R-CARBON	2.2KOHM,5%,1/8W,AA,TP,1.8X3.2MM	

Loc. No.	Code No.	Description	Specification	Remarks
R435	2001-000786	R-CARBON	47KOHM,5%,1/8W,AA,TP,1.8X3.2MM	
R436	2001-000449	R-CARBON	2.2KOHM,5%,1/8W,AA,TP,1.8X3.2MM	
R437	2001-000786	R-CARBON	47KOHM,5%,1/8W,AA,TP,1.8X3.2MM	
R438	2001-000449	R-CARBON	2.2KOHM,5%,1/8W,AA,TP,1.8X3.2MM	
R439	2001-000786	R-CARBON	47KOHM,5%,1/8W,AA,TP,1.8X3.2MM	
R440	2001-000290	R-CARBON	10KOHM,5%,1/8W,AA,TP,1.8X3.2MM	
R441	2001-000290	R-CARBON	10KOHM,5%,1/8W,AA,TP,1.8X3.2MM	
R443	2003-000502	R-METAL OXIDE(S)	150ohm,5%,2W,AA,TP,4x12mm	
R446	2001-000037	R-CARBON(S)	330OHM,5%,1/2W,AA,TP,2.4X6.4MM	
R450	2001-000397	R-CARBON	180KOHM,5%,1/8W,AA,TP,1.8X3.2MM	
R451	2001-000290	R-CARBON	10KOHM,5%,1/8W,AA,TP,1.8X3.2MM	
R452	2001-000290	R-CARBON	10KOHM,5%,1/8W,AA,TP,1.8X3.2MM	
R453	2001-000290	R-CARBON	10KOHM,5%,1/8W,AA,TP,1.8X3.2MM	
R454	2003-000650	R-METAL OXIDE(S)	330ohm,5%,2W,AA,TP,4x12mm	
R455	2001-000786	R-CARBON	47KOHM,5%,1/8W,AA,TP,1.8X3.2MM	
R456	2001-000435	R-CARBON	1MOHM,5%,1/8W,AA,TP,1.8X3.2MM	
R457	2001-000508	R-CARBON	220KOHM,5%,1/8W,AA,TP,1.8X3.2MM	
R458	2001-001004	R-CARBON	82OHM,5%,1/4W,AA,TP,2.4X6.4MM	
R459	2001-000109	R-CARBON(S)	470OHM,5%,1/2W,AA,TP,2.4X6.4MM	
R460	2001-001045	R-CARBON(S)	1.2KOHM,5%,1/2W,AA,TP,2.4X6.4MM	
R461	2001-000689	R-CARBON	390KOHM,5%,1/8W,AA,TP,1.8X3.2MM	
R462	2001-000456	R-CARBON	2.2OHM,5%,1/4W,AA,TP,2.4X6.4MM	
R470	2001-000290	R-CARBON	10KOHM,5%,1/8W,AA,TP,1.8X3.2MM	
R500	2001-000435	R-CARBON	1MOHM,5%,1/8W,AA,TP,1.8X3.2MM	
R501	2001-000472	R-CARBON	2.7KOHM,5%,1/8W,AA,TP,1.8X3.2MM	
R502	2004-000824	R-METAL	36Kohm,1%,1/4W,AA,TP,2.4x6.4mm	
R504	2001-000008	R-CARBON	15KOHM,5%,1/8W,AA,TP,1.8X3.2MM	△
R505	2004-000458	R-METAL	2.2Kohm,1%,1/4W,AA,TP,2.4x6.4m	△
R506	2004-000284	R-METAL	12Kohm,1%,1/4W,AA,TP,2.4x6.4mm	△
R507	2004-000216	R-METAL	10Kohm,1%,1/4W,AA,TP,2.4x6.4mm	△
R508	2001-000643	R-CARBON	330KOHM,5%,1/4W,AA,TP,2.4X6.4MM	△
R509	2001-000643	R-CARBON	330KOHM,5%,1/4W,AA,TP,2.4X6.4MM	
R510	2001-000273	R-CARBON	100KOHM,5%,1/8W,AA,TP,1.8X3.2MM	
R511	2001-000478	R-CARBON	2.7OHM,5%,1/4W,AA,TP,2.4X6.4MM	
R513	2001-000084	R-CARBON	100KOHM,5%,1/4W,AA,TP,2.4X6.4MM	
R514	2001-001071	R-CARBON(S)	12KOHM,5%,1/2W,AA,TP,2.4X6.4MM	
R516	2001-001115	R-CARBON(S)	27KOHM,5%,1/2W,AA,TP,2.4X6.4MM	
R518	2001-001115	R-CARBON(S)	27KOHM,5%,1/2W,AA,TP,2.4X6.4MM	
R520	2001-000241	R-CARBON	1.5KOHM,5%,1/8W,AA,TP,1.8X3.2MM	
R521	2001-000643	R-CARBON	330KOHM,5%,1/4W,AA,TP,2.4X6.4MM	
R524	2001-000660	R-CARBON	33KOHM,5%,1/8W,AA,TP,1.8X3.2MM	
R525	2001-000273	R-CARBON	100KOHM,5%,1/8W,AA,TP,1.8X3.2MM	
R526	2004-000616	R-METAL	24Kohm,1%,1/4W,AA,TP,2.4x6.4mm	
R529	2001-000429	R-CARBON	1KOHM,5%,1/8W,AA,TP,1.8X3.2MM	
R530	2004-000580	R-METAL	22Kohm,1%,1/4W,AA,TP,2.4x6.4mm	
R531	2001-000786	R-CARBON	47KOHM,5%,1/8W,AA,TP,1.8X3.2MM	
R532	2001-000435	R-CARBON	1MOHM,5%,1/8W,AA,TP,1.8X3.2MM	
R599	2001-000076	R-CARBON	47KOHM,5%,1/4W,AA,TP,2.4X6.4MM	
R600	2001-001129	R-CARBON(S)	330KOHM,5%,1/2W,AA,TP,2.4X6.4MM	
R601	2001-001129	R-CARBON(S)	330KOHM,5%,1/2W,AA,TP,2.4X6.4MM	
R602	2001-000023	R-CARBON	47OHM,5%,1/4W,AA,TP,2.4X6.4MM	
R603	2001-000290	R-CARBON	10KOHM,5%,1/8W,AA,TP,1.8X3.2MM	
R604	2001-000857	R-CARBON	560OHM,5%,1/8W,AA,TP,1.8X3.2MM	
R605	2001-000734	R-CARBON	4.7KOHM,5%,1/8W,AA,TP,1.8X3.2MM	
R606	2003-000014	R-METAL OXIDE(S)	10Kohm,5%,3W,AA,TP,6x16mm	

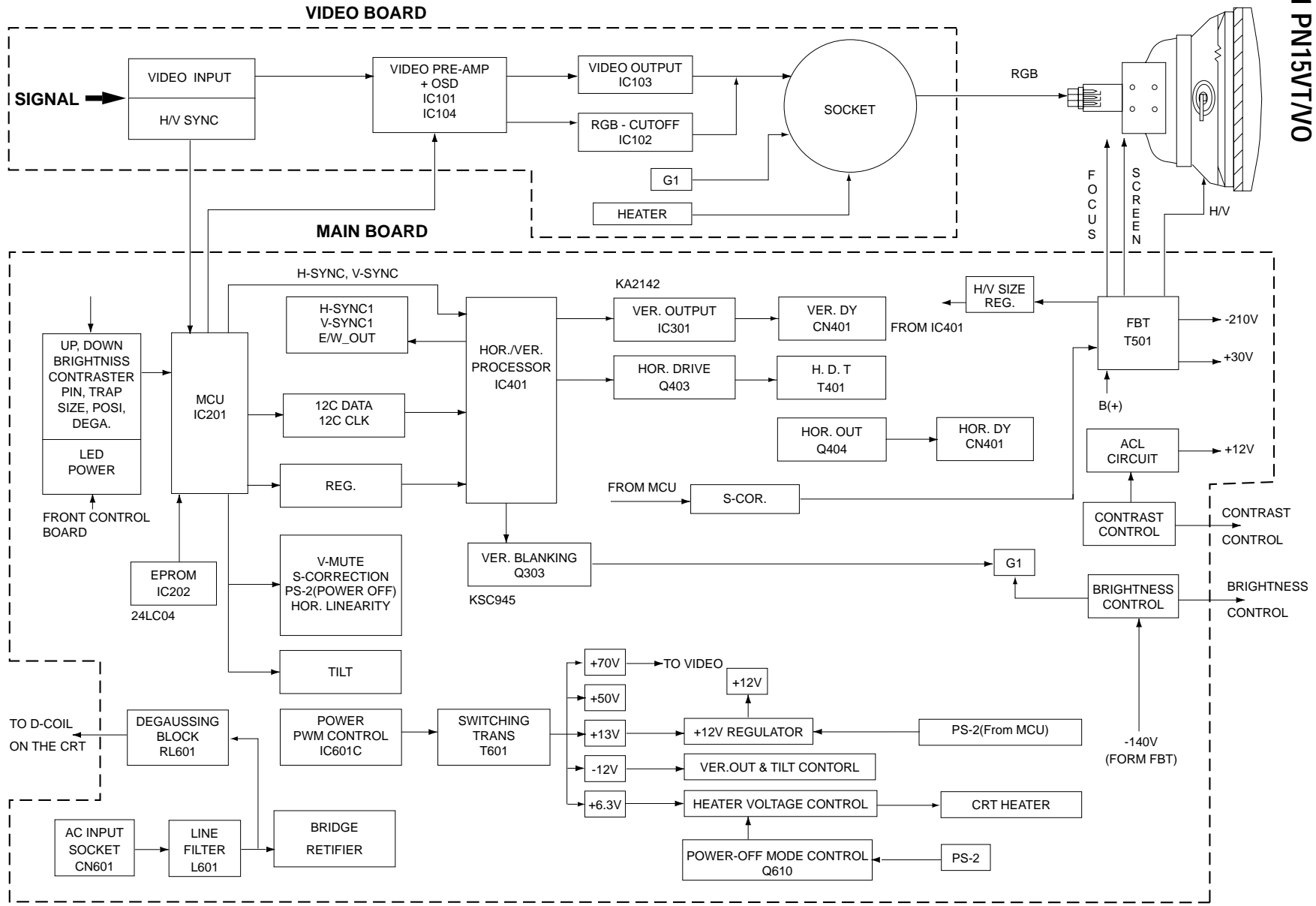
7 Electrical Parts List

Loc. No.	Code No.	Description	Specification	Remarks
R608	2001-000281	R-CARBON	1000HM,5%,1/8W,AA,TP,1.8X3.2MM	
R609	2002-001056	R-COMPOSITION	180Kohm,2%,1/4W,AA,TP,2.5x6.5mm	
R610	2002-001056	R-COMPOSITION	180Kohm,2%,1/4W,AA,TP,2.5x6.5mm	
R611	2001-001079	R-CARBON(S)	150HM,5%,1/2W,AA,TP,2.4X6.4MM	
R612	2003-000738	R-METAL OXIDE(S)	56Kohm,5%,2W,AA,TP,4x12mm	
R614	2001-001107	R-CARBON(S)	220ohm,5%,1/2W,AA,TP,2.4x6.4mm	
R615	2001-001088	R-CARBON(S)	1KOHM,5%,1/2W,AA,TP,2.4X6.4MM	
R617	2001-001037	R-CARBON(S)	0.390HM,5%,1/2W,AA,TP,2.4X6.4MM	
R618	2001-000429	R-CARBON	1KOHM,5%,1/8W,AA,TP,1.8X3.2MM	
R619	2003-000471	R-METAL OXIDE(S)	10ohm,5%,2W,AA,TP,4x12mm	
R621	2001-000071	R-CARBON	22KOHM,5%,1/4W,AA,TP,2.4X6.4MM	
R622	2001-000016	R-CARBON(S)	1OHM,5%,1/2W,AA,TP,2.4X6.4MM	
R625	2001-000003	R-CARBON	330ohm,5%,1/8W,AA,TP,1.8x3.2mm	
R630	2001-000786	R-CARBON	47KOHM,5%,1/8W,AA,TP,1.8X3.2MM	
R631	2001-000042	R-CARBON	1KOHM,5%,1/4W,AA,TP,2.4X6.4MM	
R632	2001-000290	R-CARBON	10KOHM,5%,1/8W,AA,TP,1.8X3.2MM	
R633	2001-000211	R-CARBON	1OHM,5%,1/4W,AA,TP,2.4X6.4MM	
R641	2003-000744	R-METAL OXIDE(S)	56ohm,5%,2W,AA,TP,4x12mm	
R642	2001-000290	R-CARBON	10KOHM,5%,1/8W,AA,TP,1.8X3.2MM	
R660	2001-000290	R-CARBON	10KOHM,5%,1/8W,AA,TP,1.8X3.2MM	
R661	2001-000527	R-CARBON	220HM,5%,1/8W,AA,TP,1.8X3.2MM	
R663	2001-000211	R-CARBON	1OHM,5%,1/4W,AA,TP,2.4X6.4MM	
R664	2001-000281	R-CARBON	1000HM,5%,1/8W,AA,TP,1.8X3.2MM	
R668	2001-000290	R-CARBON	10KOHM,5%,1/8W,AA,TP,1.8X3.2MM	
R669	2001-000290	R-CARBON	10KOHM,5%,1/8W,AA,TP,1.8X3.2MM	
RB01	2001-000969	R-CARBON	750HM,5%,1/8W,AA,TP,1.8X3.2MM	
RB02	2001-000666	R-CARBON	330HM,5%,1/8W,AA,TP,1.8X3.2MM	
RB04	2001-000003	R-CARBON	330ohm,5%,1/8W,AA,TP,1.8x3.2mm	
RB05	2001-000645	R-CARBON	330KOHM,5%,1/8W,AA,TP,1.8X3.2MM	
RB06	2001-000449	R-CARBON	2.2KOHM,5%,1/8W,AA,TP,1.8X3.2MM	
RB07	2001-000705	R-CARBON	390HM,5%,1/2W,AA,TP,3.3X9MM	
RB08	2001-000027	R-CARBON	1000HM,5%,1/4W,AA,TP,2.4X6.4MM	
RB09	2001-000290	R-CARBON	10KOHM,5%,1/8W,AA,TP,1.8X3.2MM	
RG01	2001-000969	R-CARBON	750HM,5%,1/8W,AA,TP,1.8X3.2MM	
RG02	2001-000666	R-CARBON	330HM,5%,1/8W,AA,TP,1.8X3.2MM	
RG04	2001-000003	R-CARBON	330ohm,5%,1/8W,AA,TP,1.8x3.2mm	
RG05	2001-000645	R-CARBON	330KOHM,5%,1/8W,AA,TP,1.8X3.2MM	
RG06	2001-000449	R-CARBON	2.2KOHM,5%,1/8W,AA,TP,1.8X3.2MM	
RG07	2001-000705	R-CARBON	390HM,5%,1/2W,AA,TP,3.3X9MM	
RG08	2001-000025	R-CARBON	750HM,5%,1/4W,AA,TP,2.4X6.4MM	
RG09	2001-000290	R-CARBON	10KOHM,5%,1/8W,AA,TP,1.8X3.2MM	
RR01	2001-000969	R-CARBON	750HM,5%,1/8W,AA,TP,1.8X3.2MM	
RR02	2001-000666	R-CARBON	330HM,5%,1/8W,AA,TP,1.8X3.2MM	
RR04	2001-000003	R-CARBON	330ohm,5%,1/8W,AA,TP,1.8x3.2mm	
RR05	2001-000645	R-CARBON	330KOHM,5%,1/8W,AA,TP,1.8X3.2MM	
RR06	2001-000449	R-CARBON	2.2KOHM,5%,1/8W,AA,TP,1.8X3.2MM	
RR07	2001-000705	R-CARBON	390HM,5%,1/2W,AA,TP,3.3X9MM	
RR08	2001-000027	R-CARBON	1000HM,5%,1/4W,AA,TP,2.4X6.4MM	
RR09	2001-000290	R-CARBON	10KOHM,5%,1/8W,AA,TP,1.8X3.2MM	
SK101	1405-001064	SURGE ABSORBER	400V,20%,--,AXIAL	
SK102	4715-000001	SURGE ABSORBER	1KV,+50-10%,--,	
SK501	4715-000001	SURGE ABSORBER	1KV,+50-10%,--,	
SKB01	4715-000102	SURGE ABSORBER	200V,20%,1000A,-,RADIAL	SNA
SKG01	4715-000102	SURGE ABSORBER	200V,20%,1000A,-,RADIAL	SNA
SKR01	4715-000102	SURGE ABSORBER	200V,20%,1000A,-,RADIAL	SNA

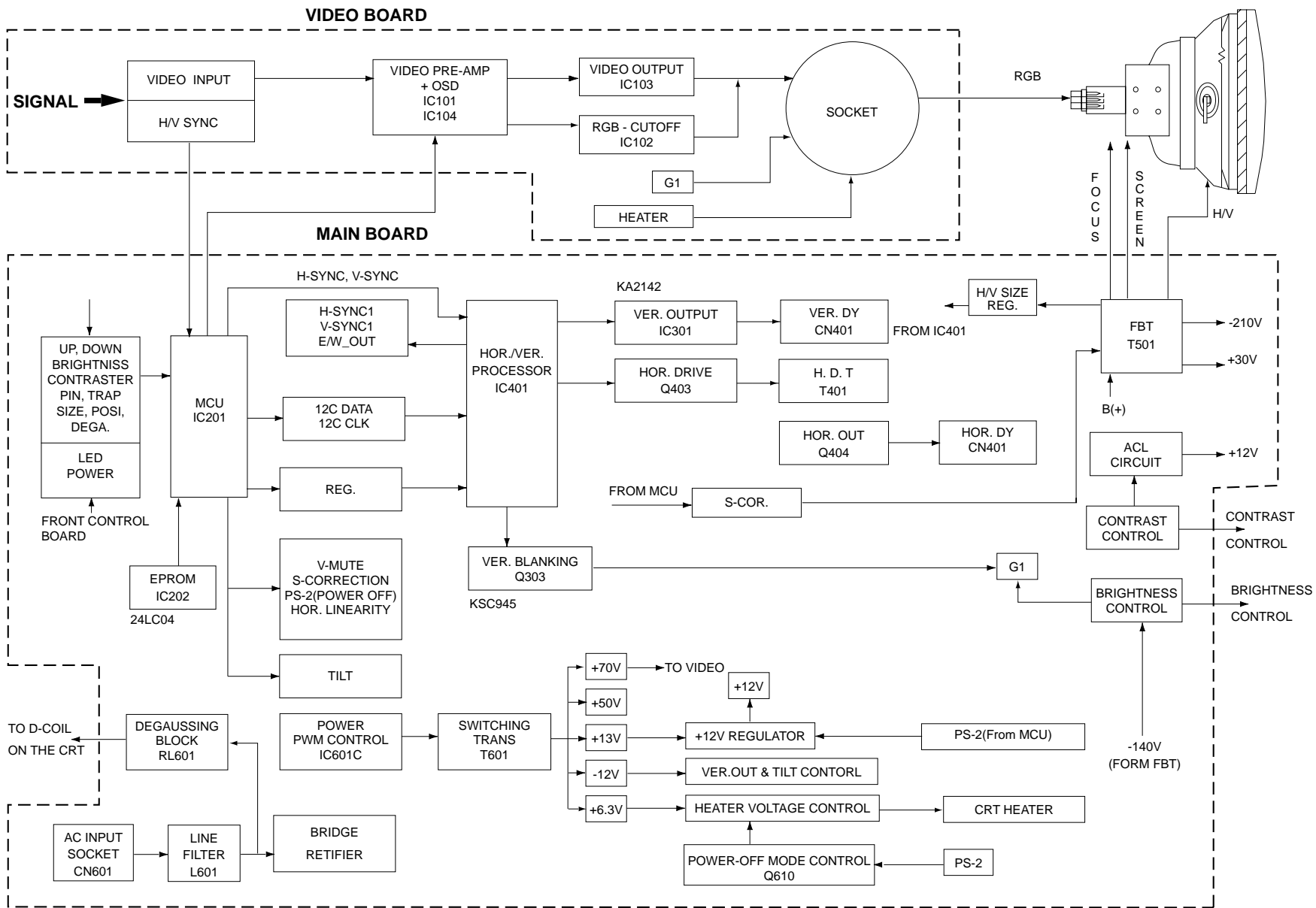
Loc. No.	Code No.	Description	Specification	Remarks
TP501	6042-000002	EYELET	ID1.5,OD2,L3.1,SN,BSS3-E/EH	SNA
VR401	2103-000493	VR-SEMI	5Kohm,30%,1/10W,SIDE	
X201	2801-000005	CRYSTAL-UNIT	8MHz,50ppm,28-AAM,S,35ohm,TP	
ZD101	0403-000509	DIODE-ZENER	MTZJ5.6B,5.6V,5.45-5.73V,500mW	
ZD103	0403-000007	DIODE-ZENER	UZ6.2BSB,5.99-6.24V,500mW,DO-34,TP	
ZD104	0403-000007	DIODE-ZENER	UZ6.2BSB,5.99-6.24V,500mW,DO-34,TP	
ZD105	0403-000509	DIODE-ZENER	MTZJ5.6B,5.6V,5.45-5.73V,500mW	
ZD201	0403-000355	DIODE-ZENER	UZ5.1BSB,5.1V,4.97-5.18V,500mW	
ZD202	0403-000355	DIODE-ZENER	UZ5.1BSB,5.1V,4.97-5.18V,500mW	
ZD203	0403-000355	DIODE-ZENER	UZ5.1BSB,5.1V,4.97-5.18V,500mW	
ZD204	0403-000355	DIODE-ZENER	UZ5.1BSB,5.1V,4.97-5.18V,500mW	
ZD205	0403-000361	DIODE-ZENER	UZ6.2BSB,6.2V,5.99-6.24V,500mW	
ZD210	0403-000361	DIODE-ZENER	UZ6.2BSB,6.2V,5.99-6.24V,500mW	
ZD211	0403-000337	DIODE-ZENER	UZ24BH,24V,24.2-25.7V,500mW,DO	
ZD301	0403-000337	DIODE-ZENER	UZ24BH,24V,24.2-25.7V,500mW,DO	
ZD302	0403-000355	DIODE-ZENER	UZ5.1BSB,5.1V,4.97-5.18V,500mW	
ZD601	0403-000361	DIODE-ZENER	UZ6.2BSB,6.2V,5.99-6.24V,500mW	
ZD602	0403-000509	DIODE-ZENER	MTZJ5.6B,5.6V,5.45-5.73V,500mW	
ZD603	0403-000361	DIODE-ZENER	UZ6.2BSB,6.2V,5.99-6.24V,500mW	
ZD604	0403-000361	DIODE-ZENER	UZ6.2BSB,6.2V,5.99-6.24V,500mW	
HS301	BH99-00002A	ASSY,HEAT/SINK	H/S V.IC,SCREW+NUT,KA2142,-,-,OIL SILICON,-,-	SNA
CIS	1204-001508	IC-VERTICAL DEF.	KA2142,SIP,10P,-,PLASTIC,35V,15W,-,20TO+70C,ST,VERTICAL DEFLECTION	
CIS	6006-001008	SCREW-ASS'Y MACH	WSP,BH,+M3,L10,ZPC(YEL),SWRCH	SNA
CIS	6021-000118	NUT-HEXAGON	1C,M3,ZPC(YEL),SM20C	SNA
CIS	BH62-00003A	HEAT/SINK-V.IC	-T1,-,A1050S,DA/DB	SNA
HS601	BH99-00003A	ASSY,HEAT/SINK	H/S POWER,SPRING,DP104,-,-,RUBBER,-,-	SNA
CIS	BH13-00004A	IC-HYBRID	-,DP104C,TO-220-5L,5P,POWER SWITCH,-,-	
CIS	BH61-00004A	SPRING-TR	CDA,CDB,SUS304,TO.5,-,-,-,-	SNA
CIS	BH62-00004A	HEAT/SINK-POWER	-T1,-,A1050S,DA/DB	SNA
CIS	BH62-20001B	RUBBER	CSQ4357,W25*L20*TO.45,-,-,-,-	SNA
HS103	BH99-00004H	ASSY HEAT/SINK	HS VIDEO,SCREW+NUT,LM2467TA,-,-,OIL SILICON	SNA
CIS	6006-001008	SCREW-ASS'Y MACH	WSP,BH,+M3,L10,ZPC(YEL),SWRCH	SNA
CIS	6021-000118	NUT-HEXAGON	1C,M3,ZPC(YEL),SM20C	SNA
CIS	BH13-00020A	IC HYBRID	LM2467T,PN15H/17L,9P,-,20to+115C,TO-220-9L,10mA,85V,ST	
CIS	BH62-00006A	HEAT SINK-VIDEO	-,A1050S T2.0,-,DB	SNA
HS402	BH99-00005A	ASSY,HEAT/SINK	H/S,SCREW+NUT,IRF630,-,-,OIL SILICON,-,-	SNA
CIS	BH61-00004A	SPRING-TR	CDA,CDB,SUS304,TO.5,-,-,-,-	SNA
CIS	BH62-00008A	HEAT SINK-TR	-,SPC-1 L20*H45*T1,-,CDB	SNA
HS401	BH99-00006A	ASSY,HEAT/SINK	H/S,SCREW+NUT,IRF630,-,-,OIL SILICON,-,-	SNA
CIS	6006-001008	SCREW-ASS'Y MACH	WSP,BH,+M3,L10,ZPC(YEL),SWRCH	SNA
CIS	6021-000118	NUT-HEXAGON	1C,M3,ZPC(YEL),SM20C	SNA
CIS	BH62-30024A	HEAT/SINK-TR	SPC,T1,SN,CFX1577L	SNA
HS501	BH99-00024G	ASSY HEAT/SINK	H/S FBT,SPRING,KA5802,DTV32F,KTD2058,OIL SILICON	SNA
CIS	0402-001414	DIODE-RECTIFIER	DTV32F,1500V,10A,TO-263AB,ST	
CIS	0502-000465	TR-POWER	KTD2058,NPN,25000mW,TO-220IS,ST,100-200	
CIS	0502-001129	TR-POWER	KSC5802,NPN,70000mW,TO-3PF,ST,20-40	
CIS	BH61-00004A	SPRING-TR	CDA,CDB,SUS304,TO.5,-,-,-,-	SNA
CIS	BH61-70003A	SPRING	CVT4857,STS304-W1/2H,TO.5,W3.8	SNA
CIS	BH62-00015A	HEAT SINK-FBT	A1050S,T1.0,T1.0,-,-	SNA

7-4 Others (PN15HT/HO)

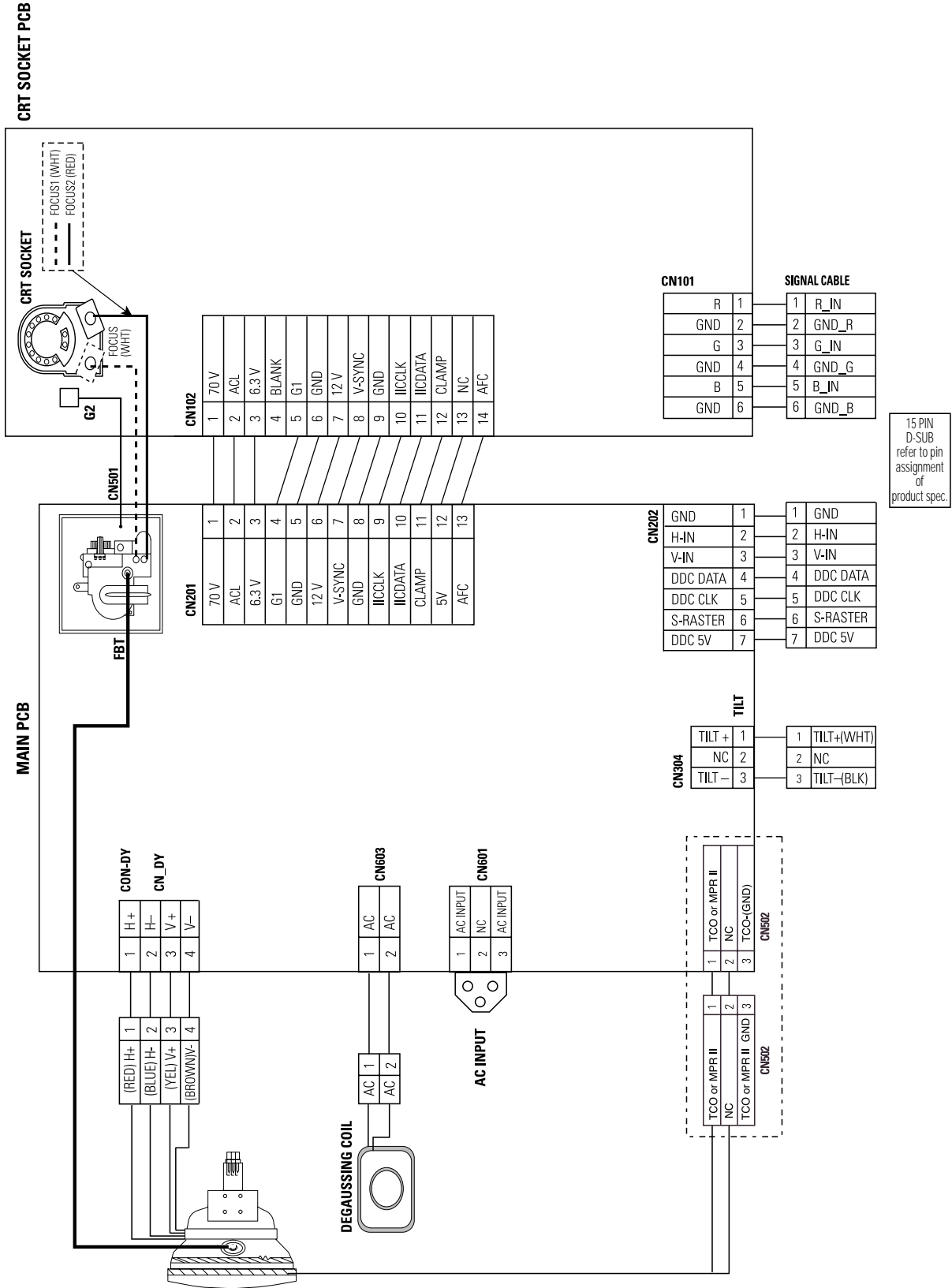
Loc. No.	Code No.	Description	Specification	Remarks
CRT	BH03-00005A	CRT-TM	M36LGE128X208(F1Z1M1),64,15.0.28,-,22.5,FST,N/C,NH,EQ,-,MULTI,TILT,4	
PBA UNIT	BH94-00225A	ASSY PCB	PN15HO-07C1/8786,-,-,-	
B/D ASS'Y CODE	BH98-00205A	ASSY PCB/MAIN	PN15HO-07C1/8786,-,-,-	
MAGNET	3302-000006	MAGNET-RUBBER	AF,14G,1620-1980G,0.58-0.9MGOe	
DEGAUSSING	BH27-00093A	COIL DEGAUSSING-ASS'Y	310*215*1020mm,PN15H,PN15H*,6.9mH,±10%,85Ts,9.0BY,-,15,90-265VAC,-,21.5BY,310*	
S/CABLE	BH39-00299A	CBF SIGNAL	PN15V/H,15P/6P,7P,2990,150MM,UL2990,IVORY,D-SUB/MALE,-,-,-	
P/CORD	BH39-10007A	CBF POWER CORD	DET,250V/6A,H05VV-F,LP-34A/KKP	



8-2 PN15HT/HO



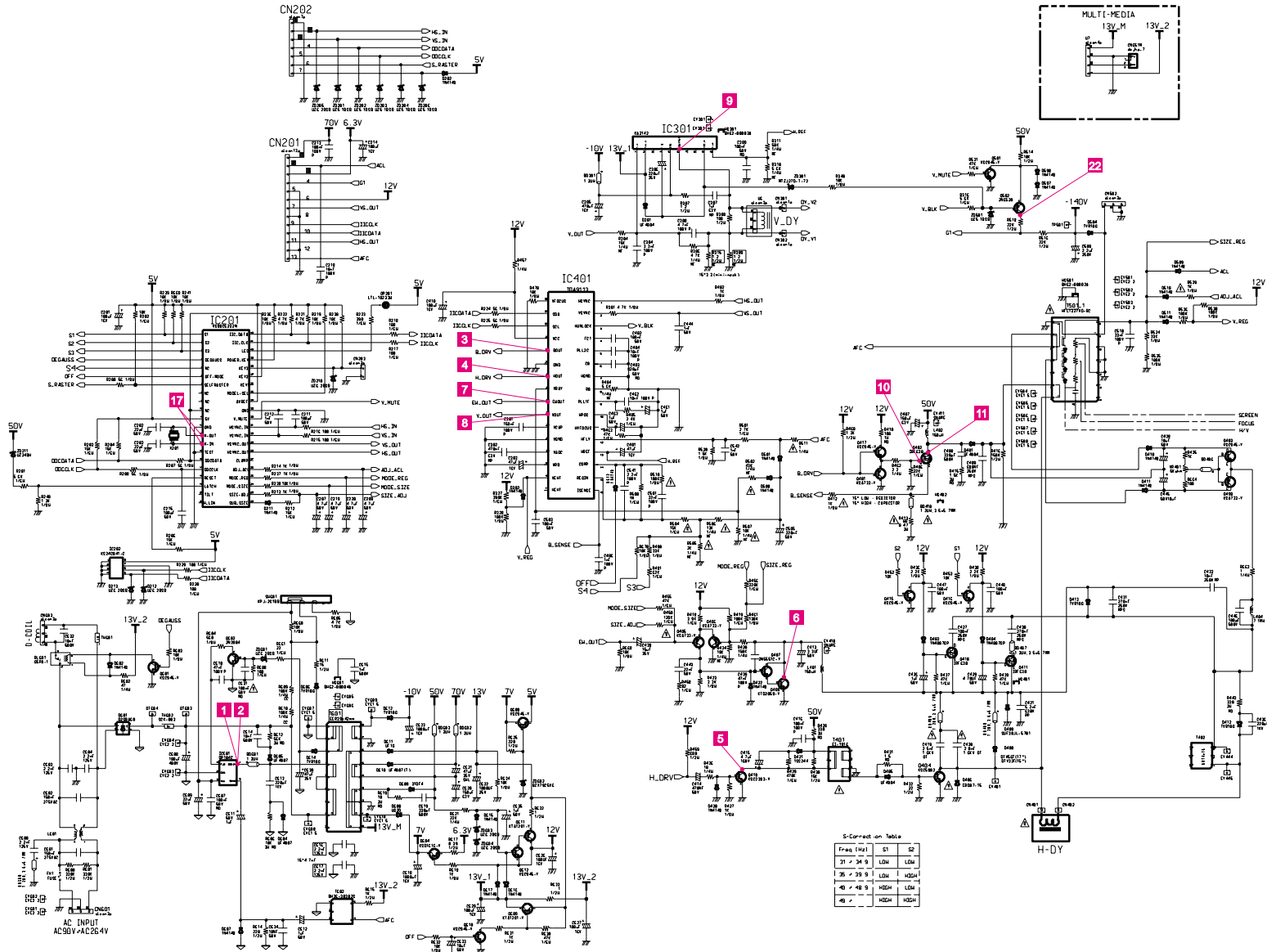
9 Wiring Diagram



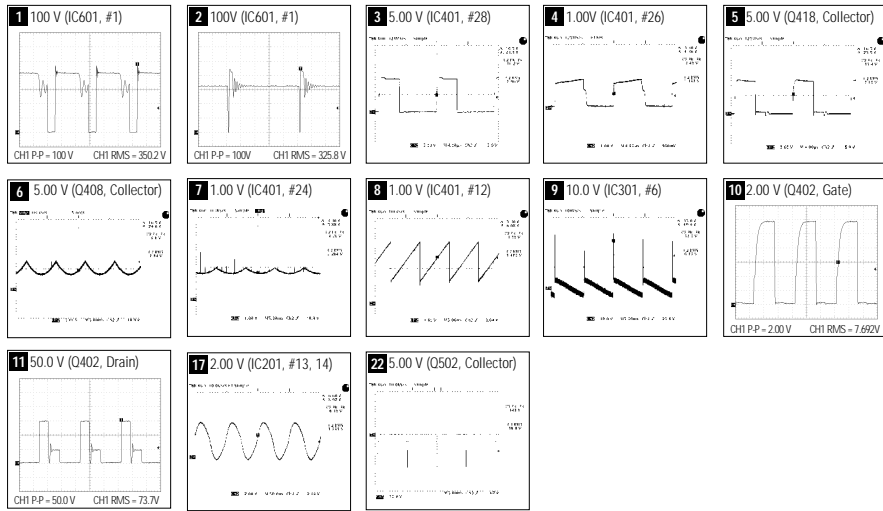
Memo

10 Schematic Diagrams

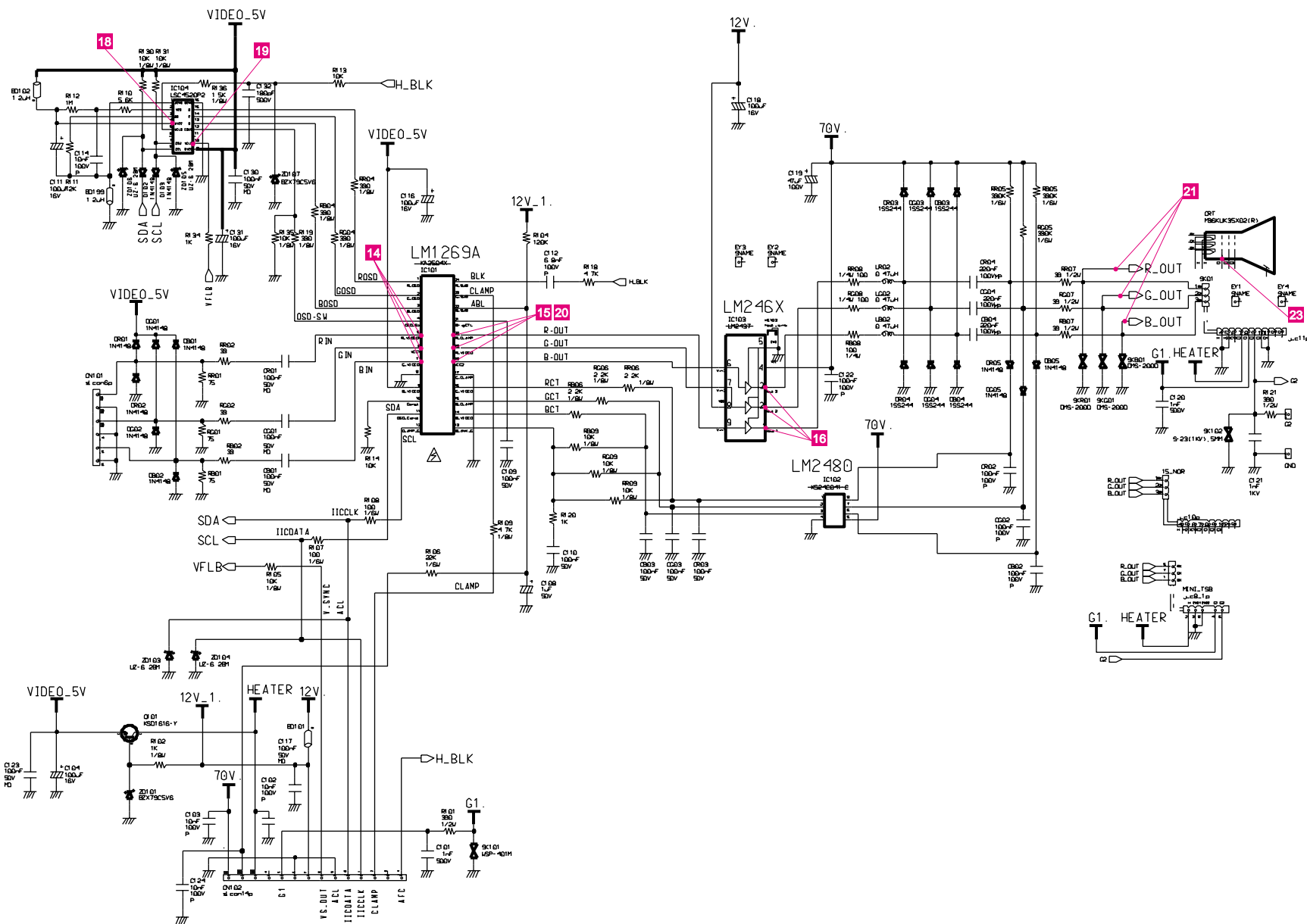
10-1 Main Part Schematic Diagram (PN15VT/VO)



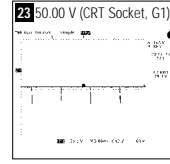
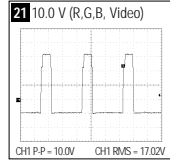
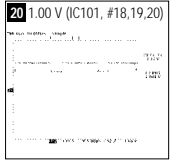
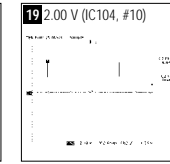
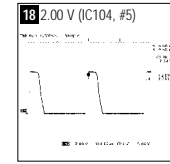
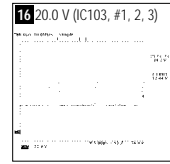
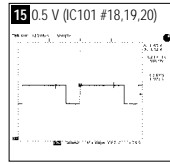
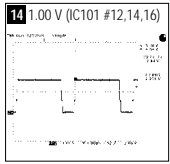
10 Schematic Diagrams



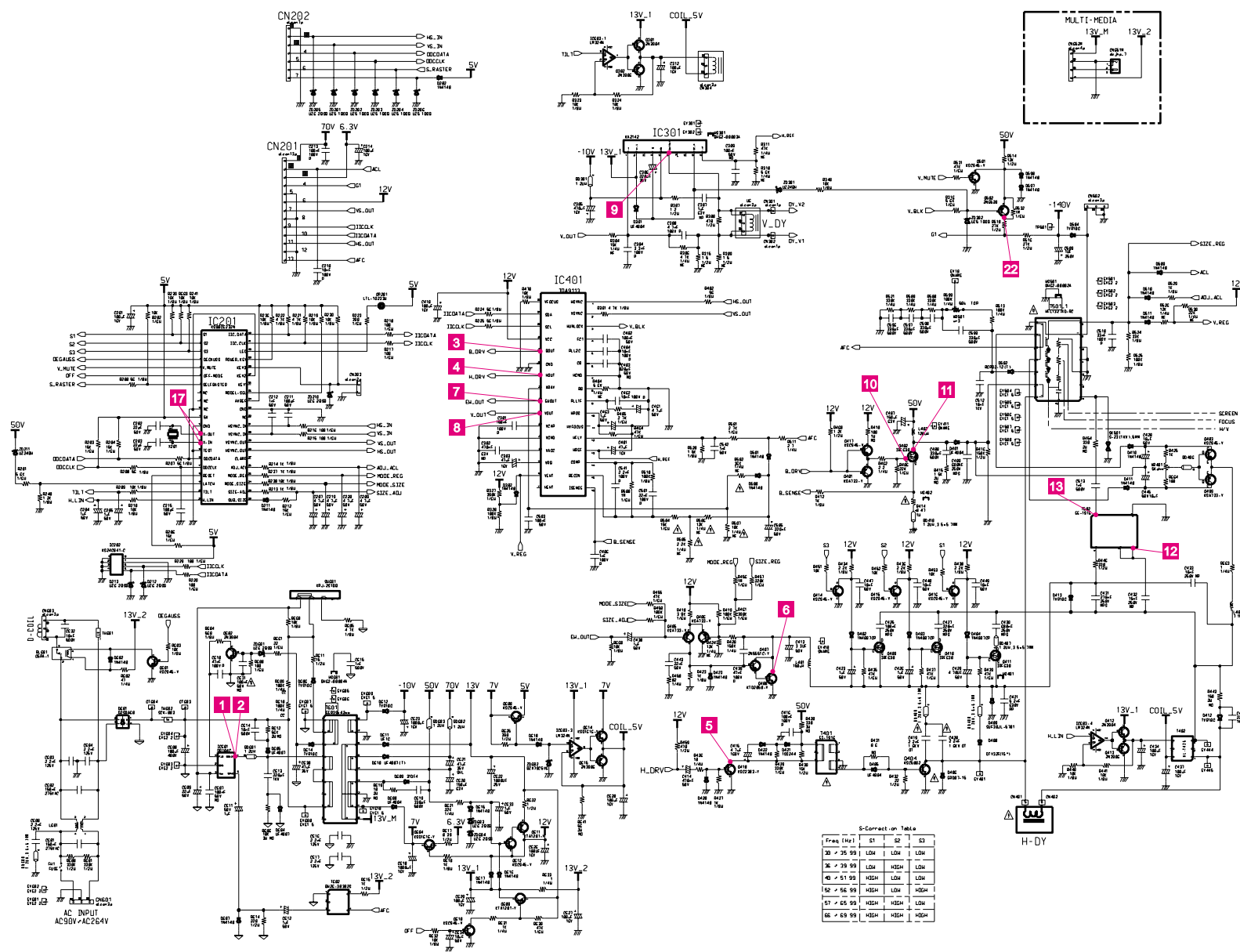
10-2 Video Part Schematic Diagram (PN15VT/V0)



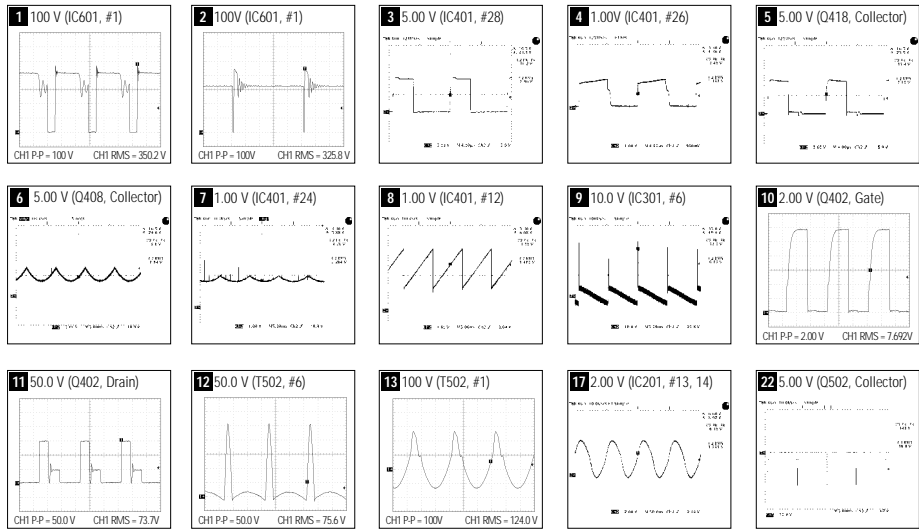
10 Schematic Diagrams



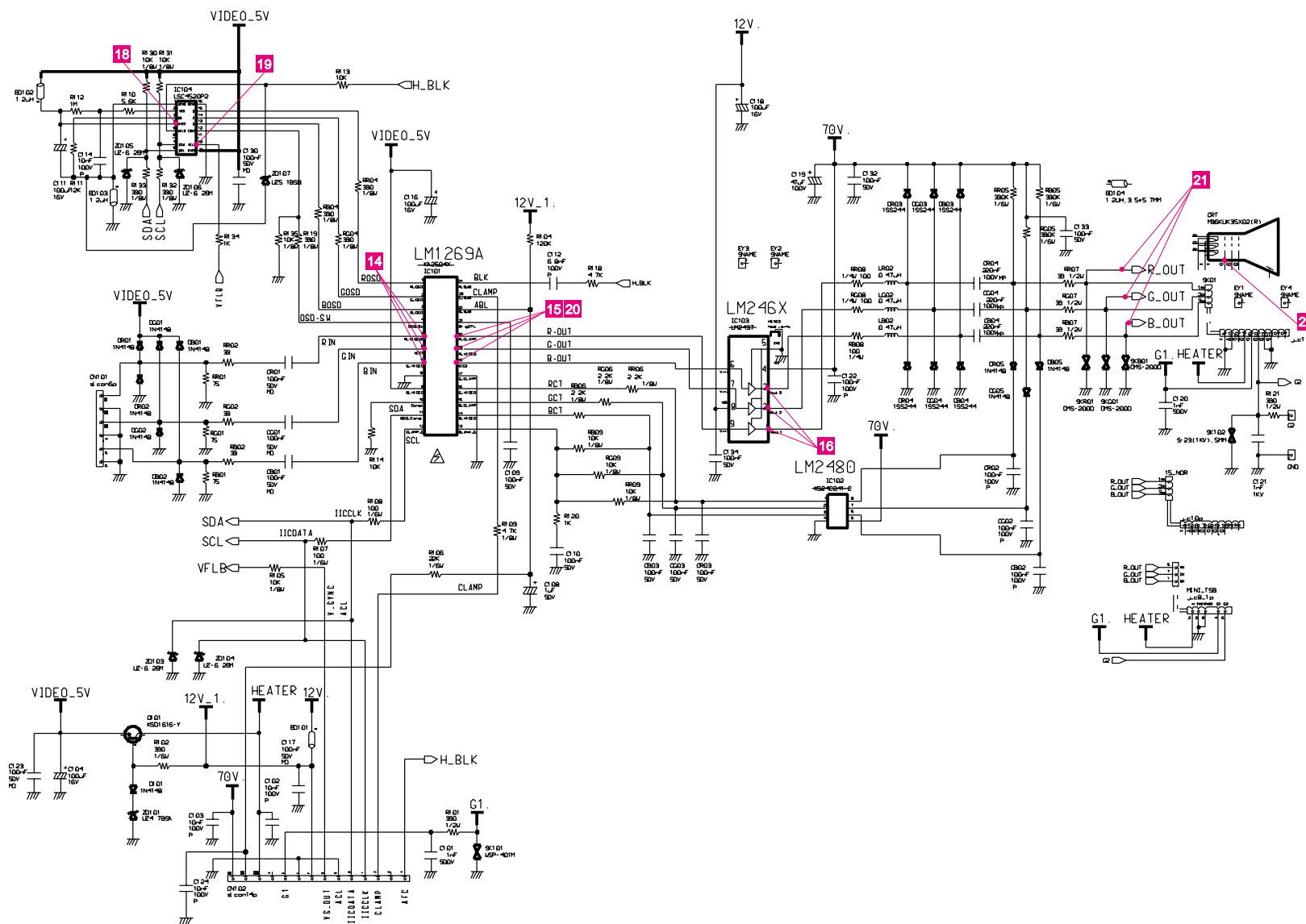
10-3 Main Part Schematic Diagram (PN15HT/HO)



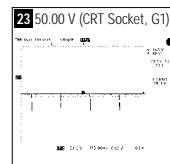
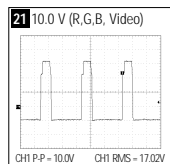
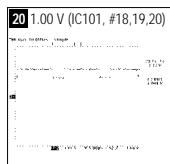
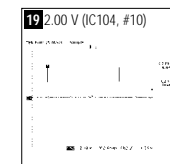
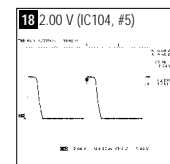
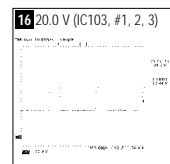
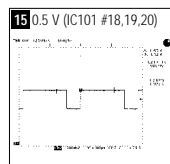
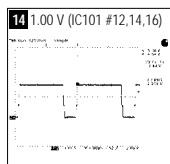
10 Schematic Diagrams



10-4 Video Part Schematic Diagram (PN15HT/HO)



10 Schematic Diagrams





Samsung Electronics Co.,Ltd.

416, Maetan-3Dong, Paldal-Gu, Suwon City, Kyungki-Do, Korea.

Tel : +82-31-200-7920 Fax : +82-31-200-7802

Printed in Korea

P/N : BH68-00393N-00

<http://www.samsungmonitor.com> (SyncMaster Worldwide)

<http://www.samsung-monitor.com> (SyncMaster USA)

<http://www.samtron.com> (SAMTRON Worldwide)

<http://www.sec.co.kr/monitor> (Korea)